

Important Precautions & Helpful Hints...

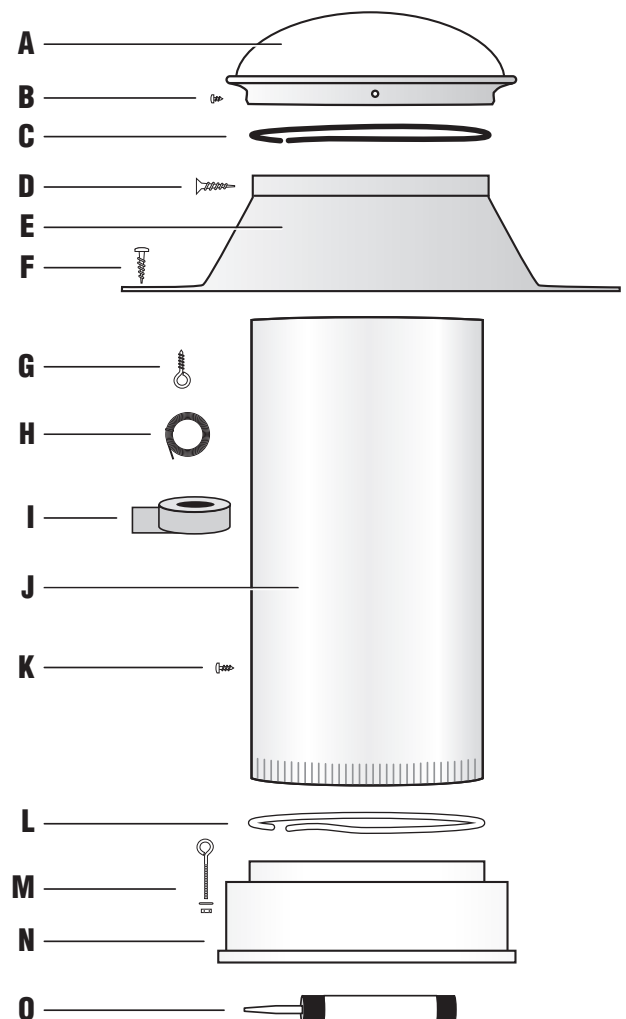
- When determining location of the unit, southern exposure is recommended. Also consider potential problems such as objects shading the unit during certain times of the day.
- Although adjustable elbows are available for use, straight light pipe runs result in higher light output and easier installation.
- Prior to starting the job, cut packaging straps on the light pipe and uncoil the tubes. Light pipe material is very sharp when cut. Please use extreme caution when handling the light pipe.
- Light pipe is very bright, use proper eye protection when installing. **AVOID LEAVING THE PIPE EXPOSED TO THE SUN WITHOUT THE PROTECTIVE COATING OR DIFFUSERS IN PLACE PRIOR TO INSTALLATION.**

Tools Needed:

- Caulking Gun
- Clamp
- Driver & Bits
- Flashlight
- Ladder
- Marking Pencil
- Measuring Tape
- Reciprocating Saw
- Safety Goggles
- Phillips Screwdriver
- Stud Finder
- Tin Snips
- Wire

Components and Hardware Parts List:

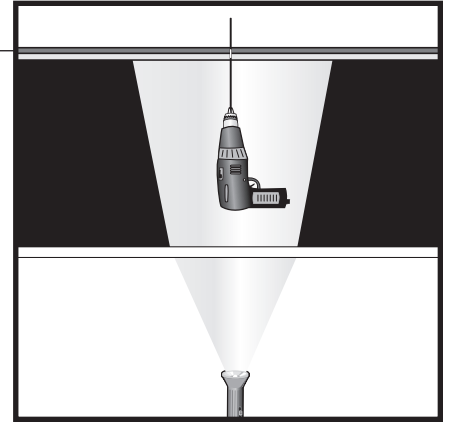
- A.** Clear UV Protected, High Impact Acrylic Dome
- B.** (4) Phillips Head Stainless Steel 1/4" Self-Tapping Screws
- C.** Black Nylon Horse Hair Gasket (self-adhesive)
- D.** (4) Phillips Head Stainless Steel 1 1/2" Screws
- E.** 1100 Series Commercial Grade Aluminum Flashing
- F.** (8) Phillips Head Stainless Steel 1 1/2" Screws
- G.** (2) Screw Eye Bolts
- H.** Support Cable Wire
- I.** Heavy Duty Foil Tape
- J.** Light Pipe, (2) 24" Sections
- K.** (4) Phillips Head Stainless Steel 1/2" Sheet Metal Screws
- L.** White Nylon Horse Hair Gasket (self-adhesive)
- M.** (2) Eye Bolts, Washers and Nuts
- N.** White Powder Coated Transition Box
- O.** Caulk



IMPORTANT: Prior to beginning installation, it is critical to plan the placement of the tubular skylight so that curb flashing and transition box are aligned. Install the ceiling grid system accordingly.

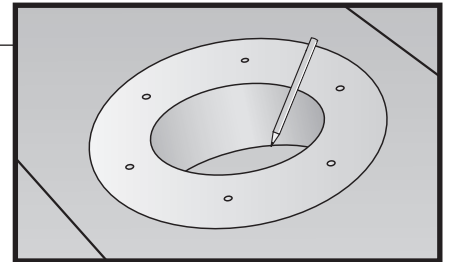
STEP 1

For the roof cutout, choose the location for the tubular skylight installation. If the drop ceiling is already installed, remove the ceiling tile that the tubular skylight will replace. Set up a ladder under the location and place a flashlight on top of the ladder, the resulting flashlight beam will mark the location for the centering hole of the flashing unit on the roof. With a drill bit and appropriate extension rods, drill a pilot hole in the marked location on the bottom side of the roof. If there is access to the attic space, a plumb bob may also be used.



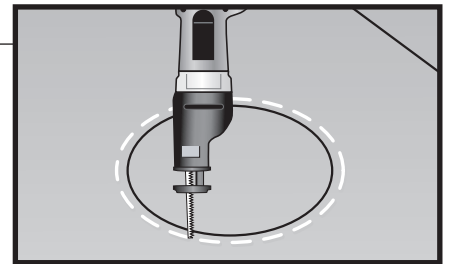
STEP 2

On the roof, locate the centering hole and outline the diameter of the hole that the pipe will pass through by turning the flashing (E) upside down and marking the inside lip of the flashing unit (see diagram).



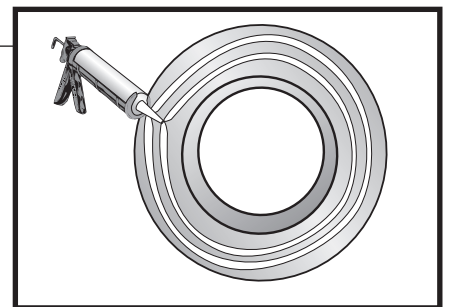
STEP 3

With a reciprocating saw, cut the diameter of the hole 1" larger than the area marked in Step 2. **IMPORTANT:** The light pipe must pass between the roof rafters. DO NOT CUT THROUGH ANY FRAMING MEMBER.



STEP 4

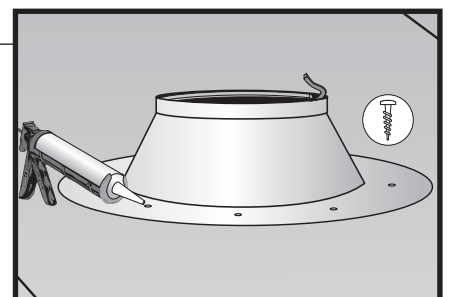
Caulk underside of flashing with the provided caulking material (O). Two concentric rings of caulking material is sufficient. Turn flashing right-side-up and center over hole cut in Step 3. Press firmly down on flashing until caulk slightly squeezes out at the lip of the flashing.



STEP 5

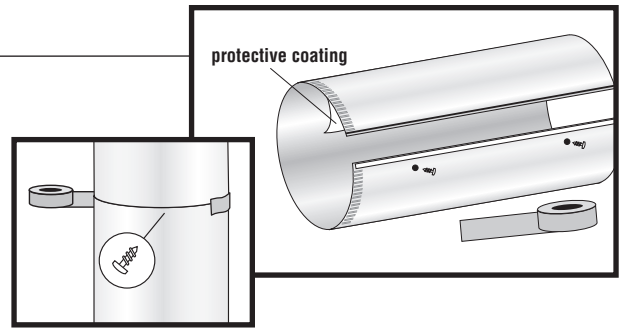
Peel the protective backing off the black horse hair gasket (C) and apply gasket on the inner lip of the flashing collar.

Secure flashing with (8) Phillips head 1 1/2" screws (F) provided. Evenly space the screws around the lip of the flashing. Place first screw at the 12:00 o'clock position, then next diagonally over from it at 6:00. The third screw should go at 9:00 and the next screw diagonally across at 3:00, etc. Caulk over the screw heads, since it will be exposed to the weather.



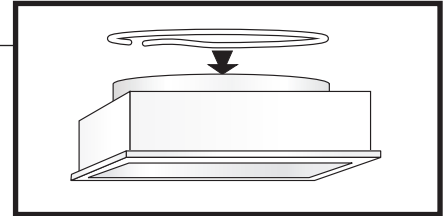
STEP 6

To assemble light pipe (J), peel back the protective coating that covers the mirror coating about 1" from the opposite edge of the double-sided tape. Remove paper backing from the double-sided tape and overlap tube ends and seal edges. Put pressure on both sides of seal to ensure a good bond. Secure tube using the (2) ½" self-tapping screws (K) provided. Then place foil tape (I) over the entire seam to strengthen seal. When joining two pipe sections together, place crimped end into the next section of pipe. Secure with (2) ½" self-tapping screws (K) provided and seal joints with foil tape (I).



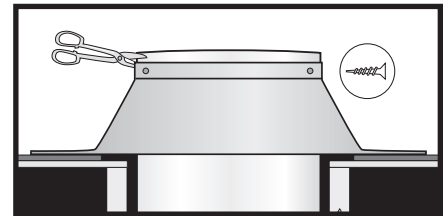
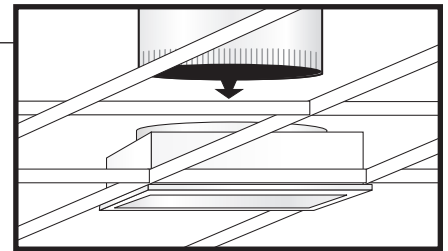
STEP 7

Peel the protective backing off the white nylon horse hair gasket (L) and apply gasket on the **INSIDE COLLAR OF THE TRANSITION BOX (N)** ½" down from top of the collar.



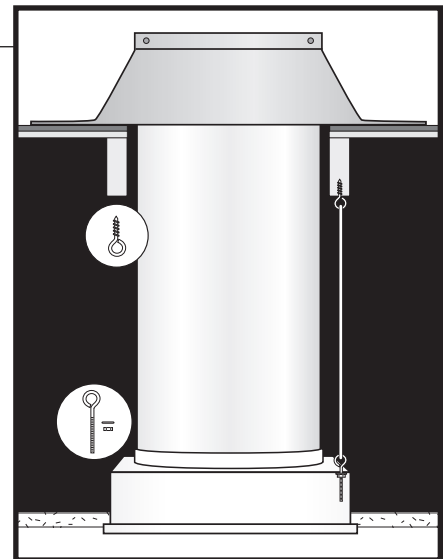
STEP 8

Install the transition box (N) into the ceiling grid system. From the roof, slide the light pipe assembly with the crimped edge down into the transition box collar. Secure the light pipe to the flashing with the (4) Phillips flat head 1 ½" screws (E) provided through the (4) pre-drilled holes on the flashing lip. (To prevent light pipe from slipping through the hole, clamp light pipe to flashing or have someone hold it in place until it is secured.) If there is excess pipe sticking out of the flashing, using tin snips, cut from the top down to the lip of the flashing and trim off the excess pipe. (Use caution when handling the light pipe - edges of the light pipe are extremely sharp when cut).



STEP 9

For additional stability, screw the (2) screw eye bolts (G) into the two framing members on both sides of the unit. Attach the (2) eye bolts, washers and nuts (M) through the sides of the transition box (see figure). Attach the cable wire (H) from the screw eye bolt in the framing to the eye bolt on transition box.



STEP 10

Place dome (A) on top of the flashing unit. Secure dome to flashing by screwing in the (4) self-tapping Phillips head ¼" screws (B) provided into the pre-drilled holes in the dome collar.



Please fill out the date your purchased the Quasar Reach Tubular Skylight on the warranty certificate below and save for your records

QUASAR REACH WARRANTY

The Quasar Reach Tubular Skylight has a 25 year warranty against manufacturers defects and deterioration.

IMPORTANT: Please complete and mail the registration card below as soon as your Quasar Reach Tubular Skylight is installed. This warranty will serve as proof of your purchase, should you misplace your original invoice.

The manufacturer warrants this product and its components to be free from defects in material and manufacturer's workmanship for a period of twenty five years from the date of installation. This warranty is subject to proper installation of the unit in accordance with the manufacturer's written installation instructions. The manufacturer will not be liable for any special, incidental or consequential damages in any way related to, or arising out of, defects in, or damage to, the Quasar Reach Tubular Skylight.

This warranty gives you specific legal rights, and you may have other rights which vary from state to state concerning exclusion or limitation of incidental or consequential damages.

Date purchased: _____

- Please contact us if you have any questions or to purchase additional accessories. -

Bristolite® Daylighting Systems
harnessing sunlight for energy savings

800.854.8618

www.bristolite.com

401 East Goetz Avenue, Santa Ana, CA 92707

REGISTRATION CARD

Customer name: _____

Where unit was purchased: _____ Date purchased: _____

Street address: _____

City: _____ State: _____ Zip: _____

Phone: _____ Email: _____

Are you satisfied with the performance of the Quasar Reach Tubular Skylight? Yes No

Are you interested in other eco-friendly home products? Yes No

To help us improve our products, please include any comments:

Please fill out the registration card and mail to:

Quasar Reach Tubular Skylight Registration
401 E. Goetz Avenue
Santa Ana, CA 92707

Quasar Reach
Drop Ceiling Skylights