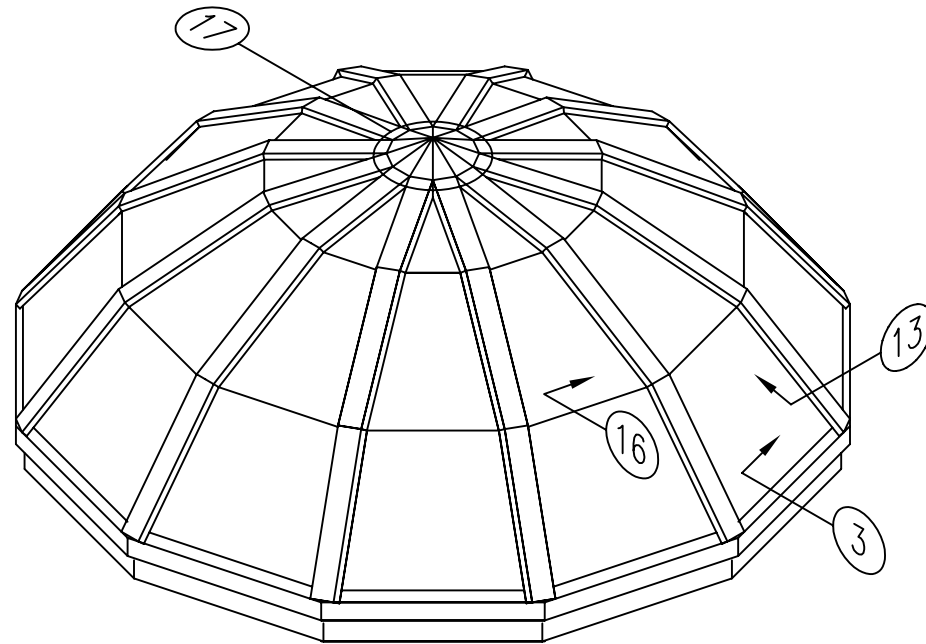
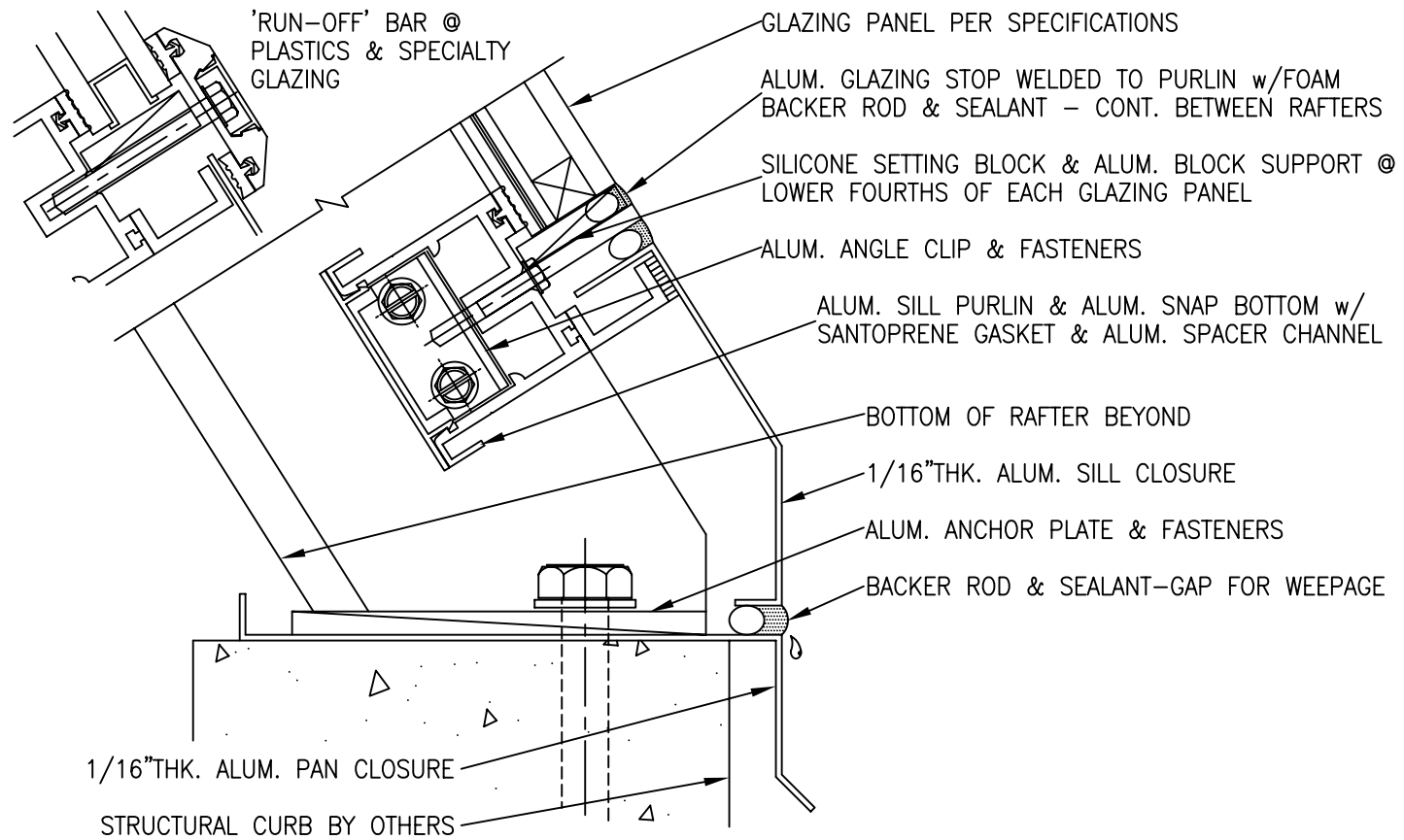


Polydome

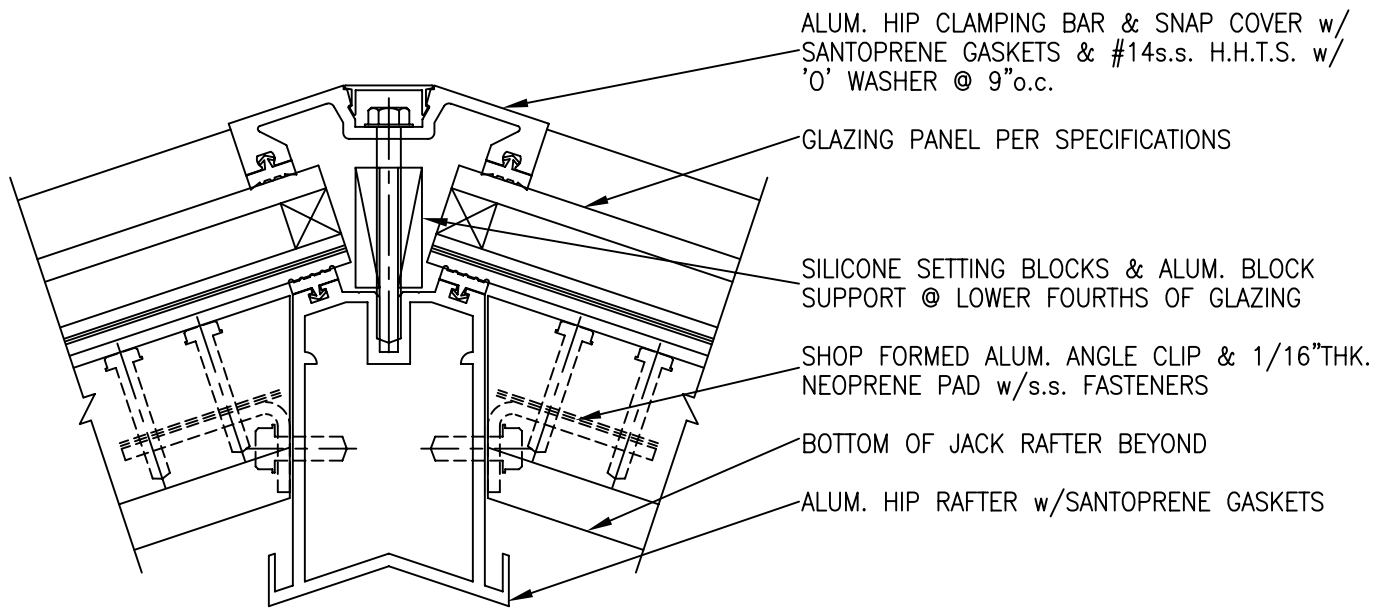


Sloped Curb / Sill Detail (Field Assembled)



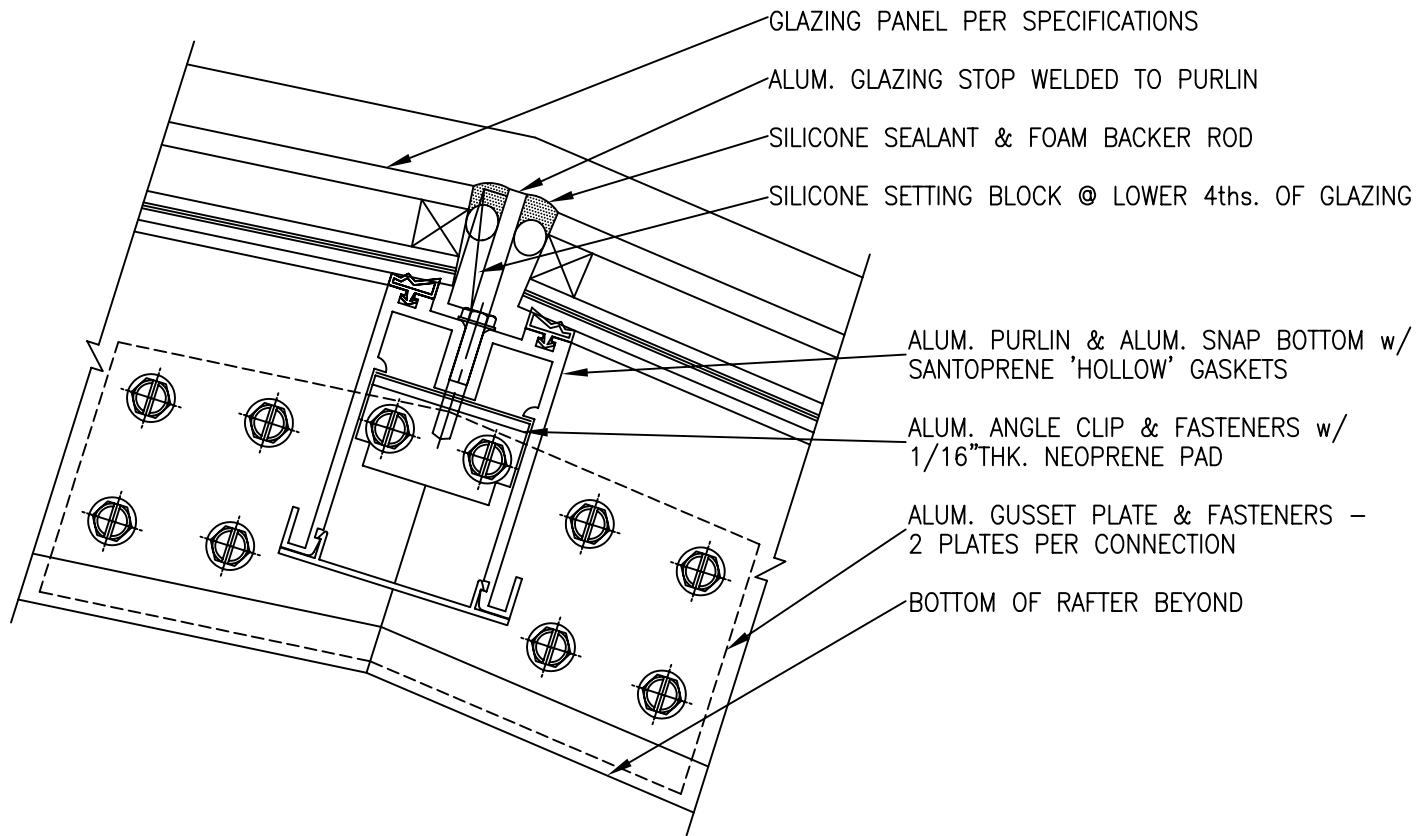
Detail No. 3

Hip Rafter Detail



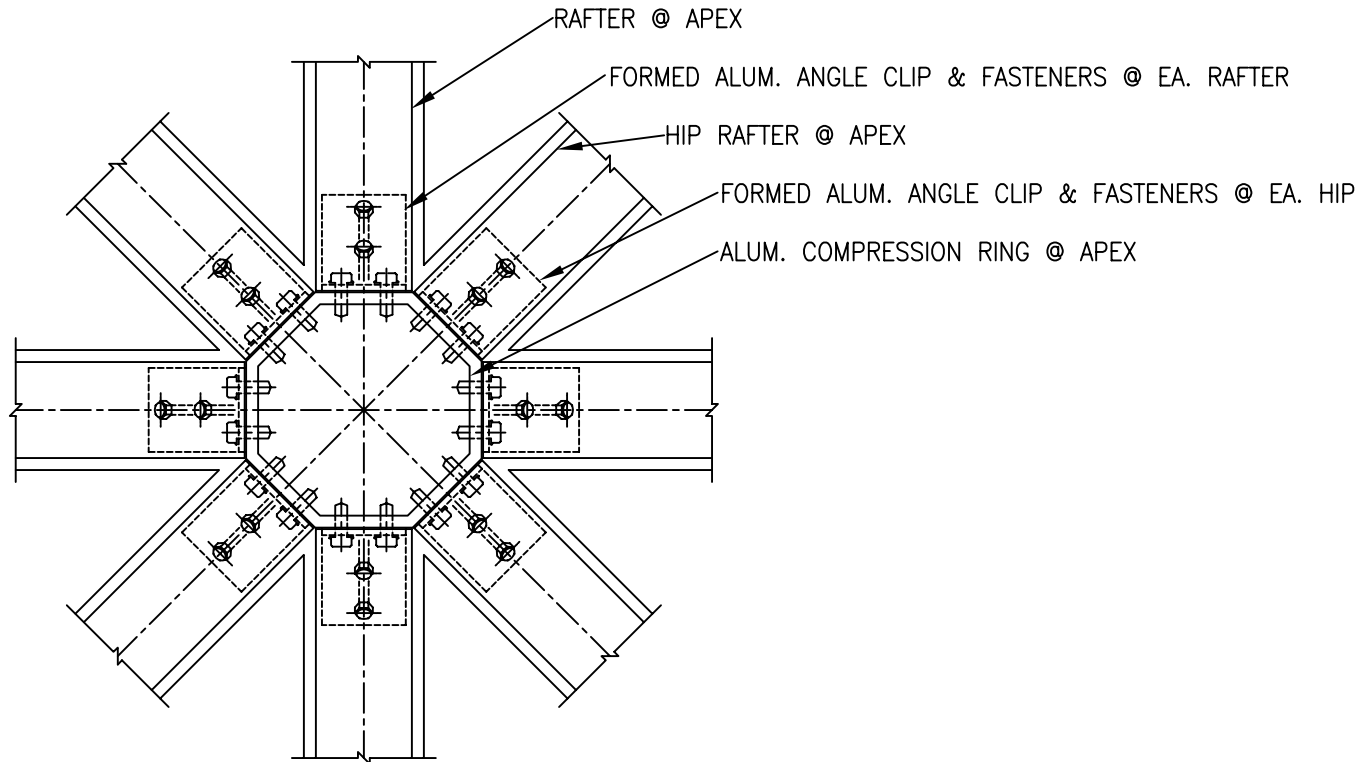
Detail No. 13

Purlin at Segmented Rafter Detail (Field Assembled)



Detail No. 16

Apex Detail / Compression Ring



Detail No. 17