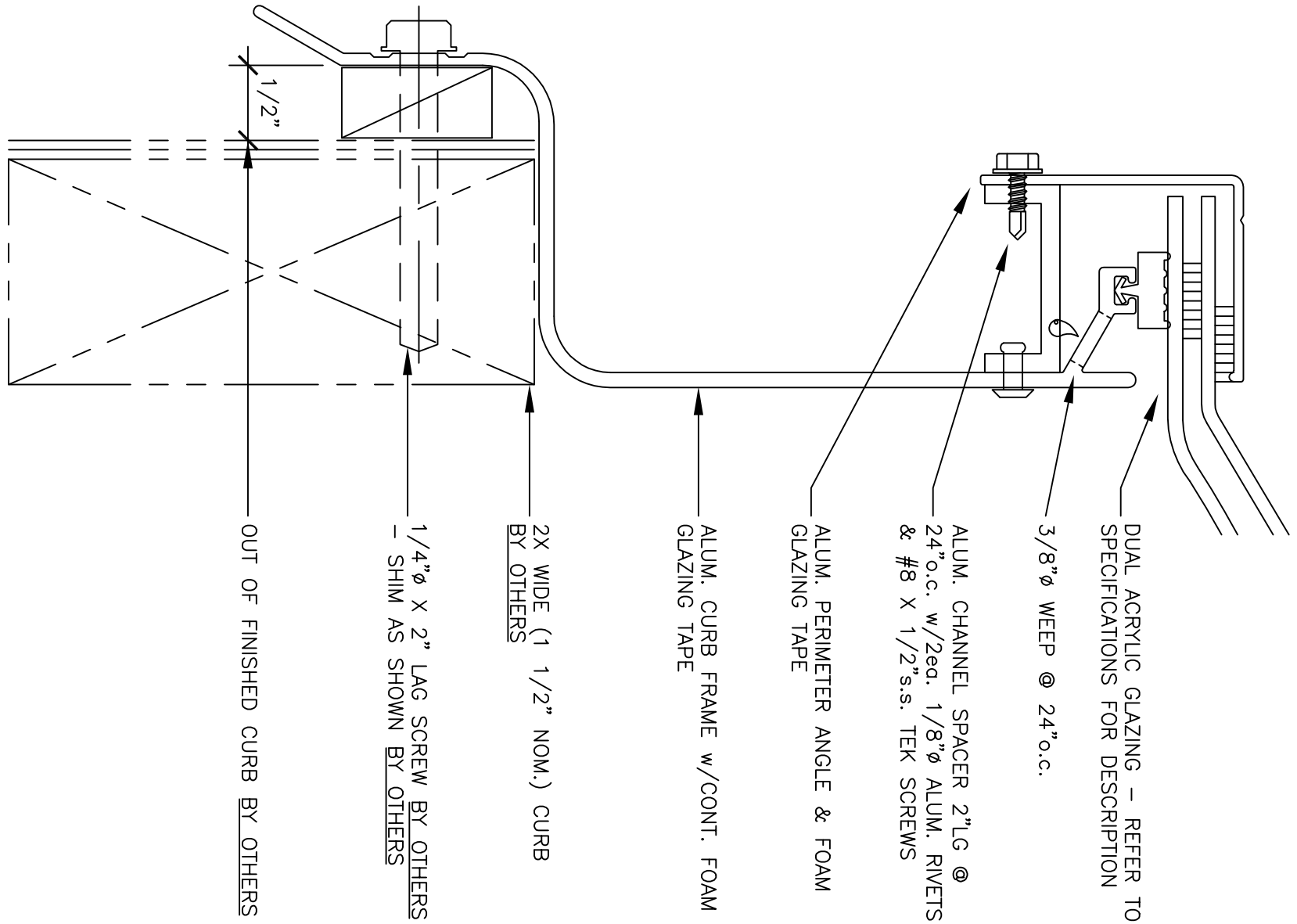
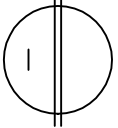




Continuous/ Grid Modular with Acrylic Domes - Perimeter Frame Section



PERIMETER FRAME SECTION  
FULL SCALE



**BRISTOLITE® SKYLIGHTS**

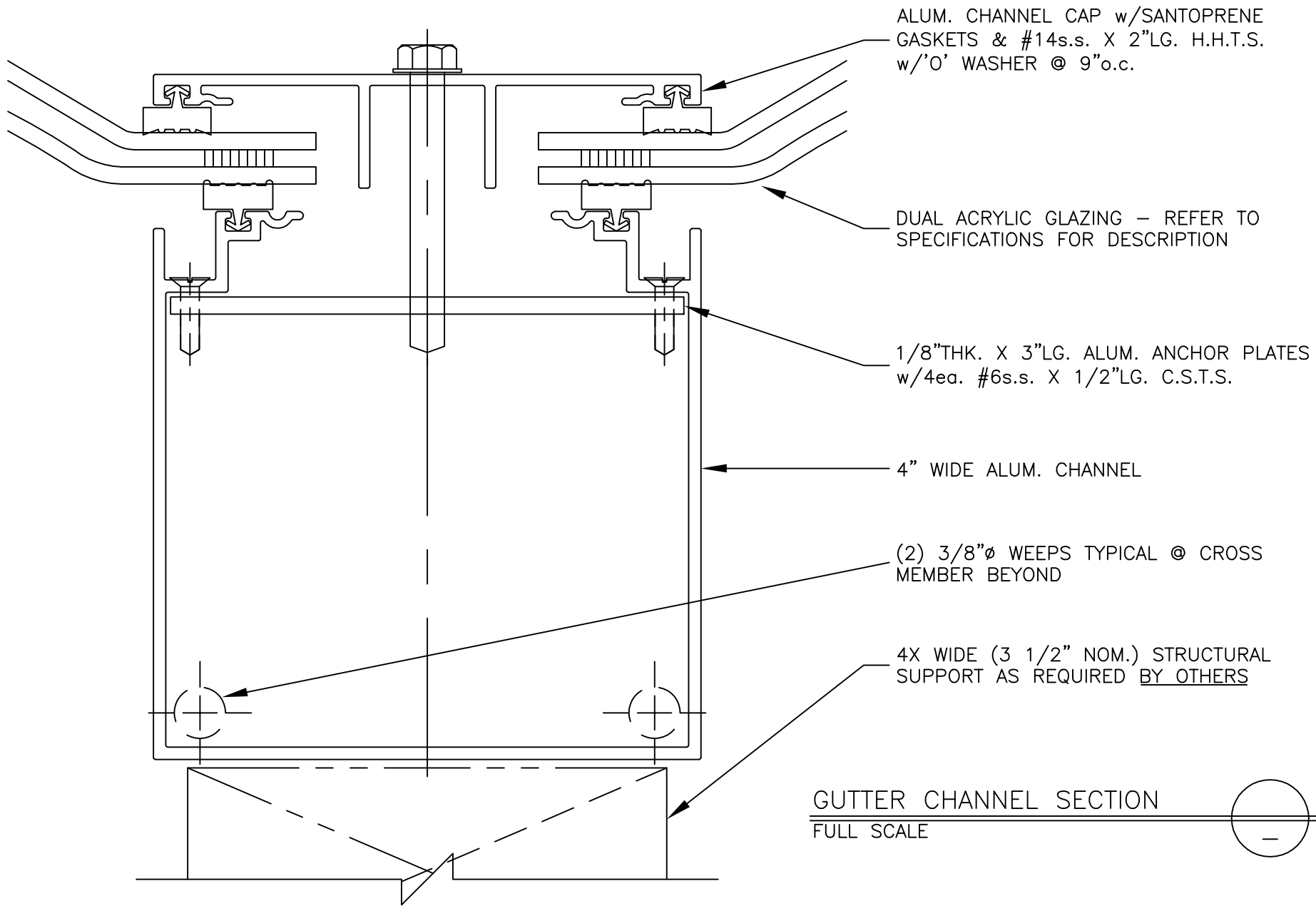
CUSTOMER NAME :

PROJECT NAME :

JOB NO :

SHEET NO.  
OF

Continuous / Grid Modular with Acrylic Domes - Gutter Channel Section



**BRISTOLITE® SKYLIGHTS**

CUSTOMER NAME :

PROJECT NAME :

JOB NO :

SHEET NO.  
OF

BRIS DRAWING NO. : DTL\_4051.DWG / 11-24-04

**Detail No. 29**