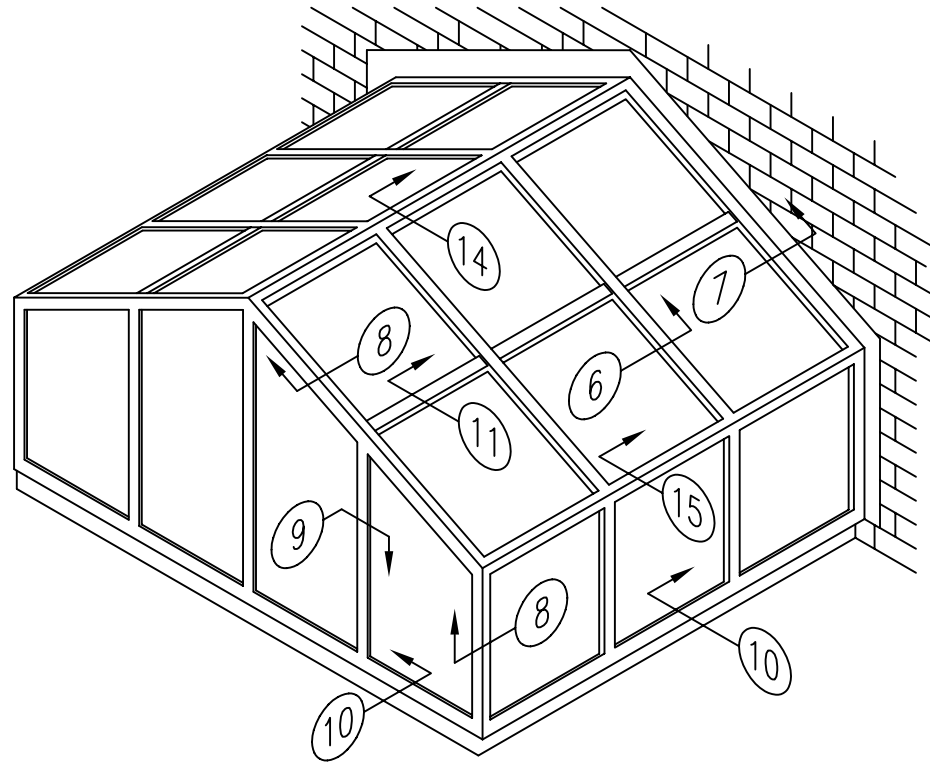
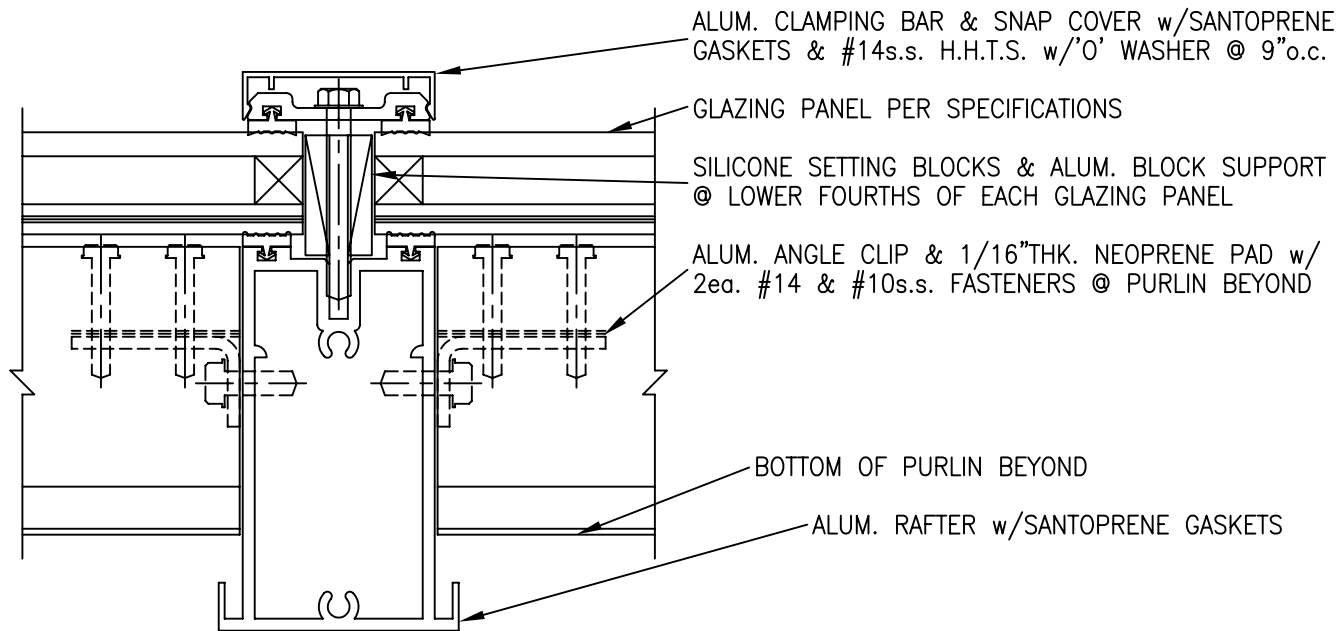


Greenhouse / Solarium

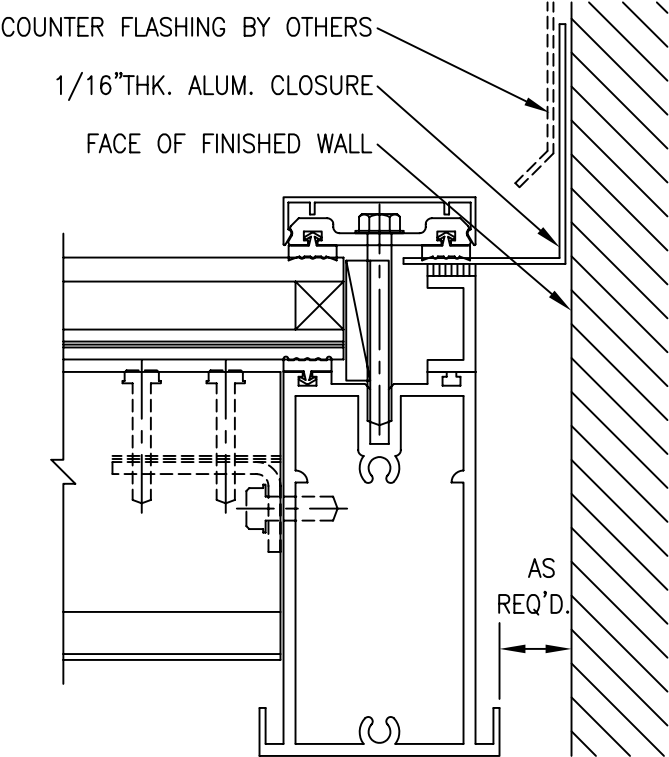


### Rafter Detail



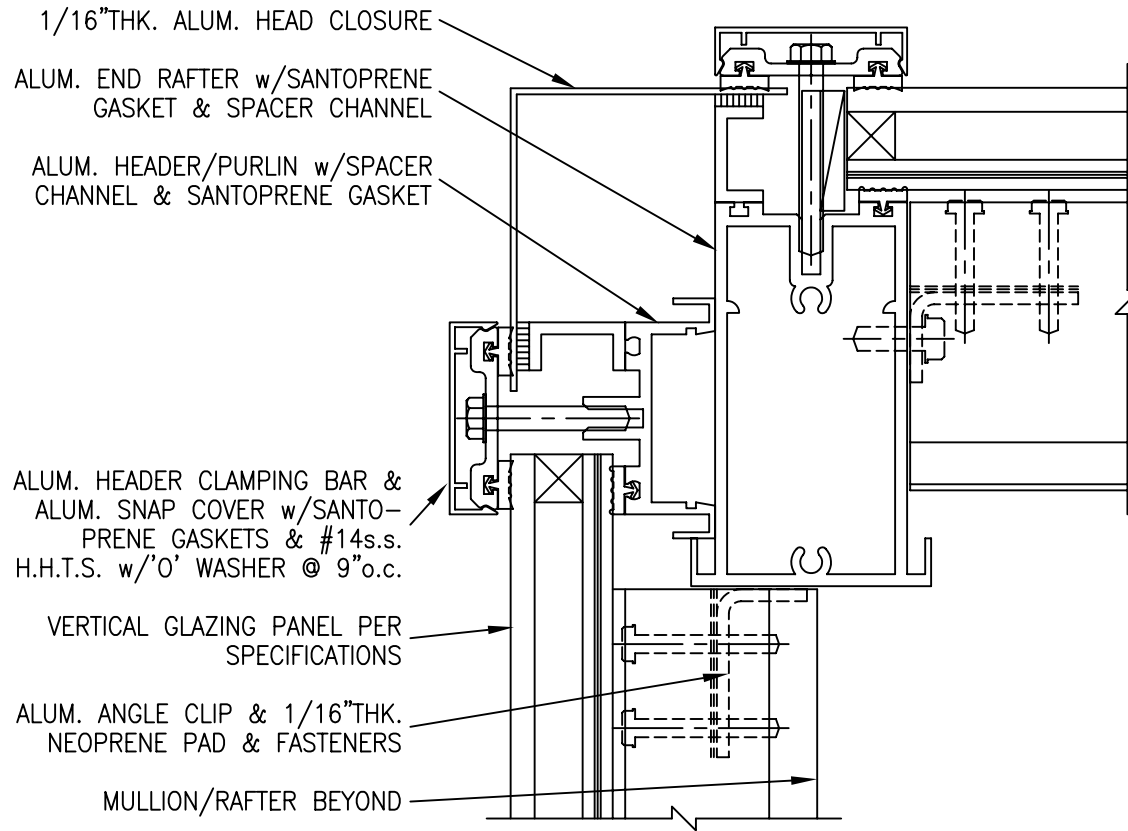
Detail No. 6

Rafter at Wall Detail



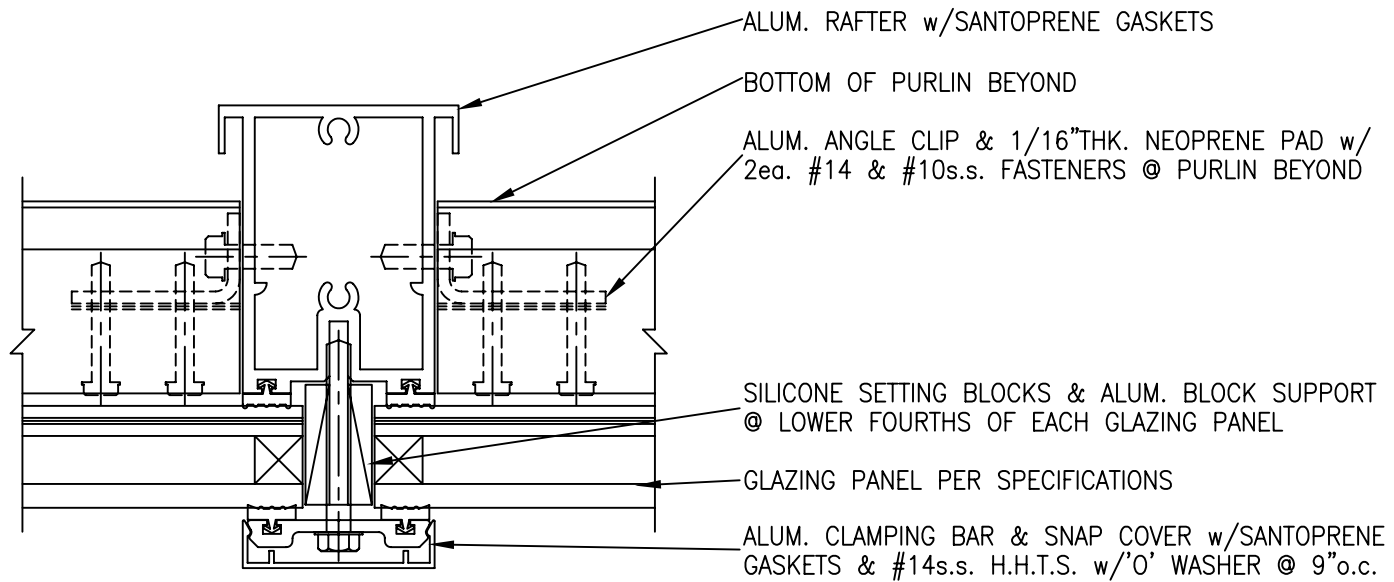
Detail No. 7

Rafter at Vertical Detail



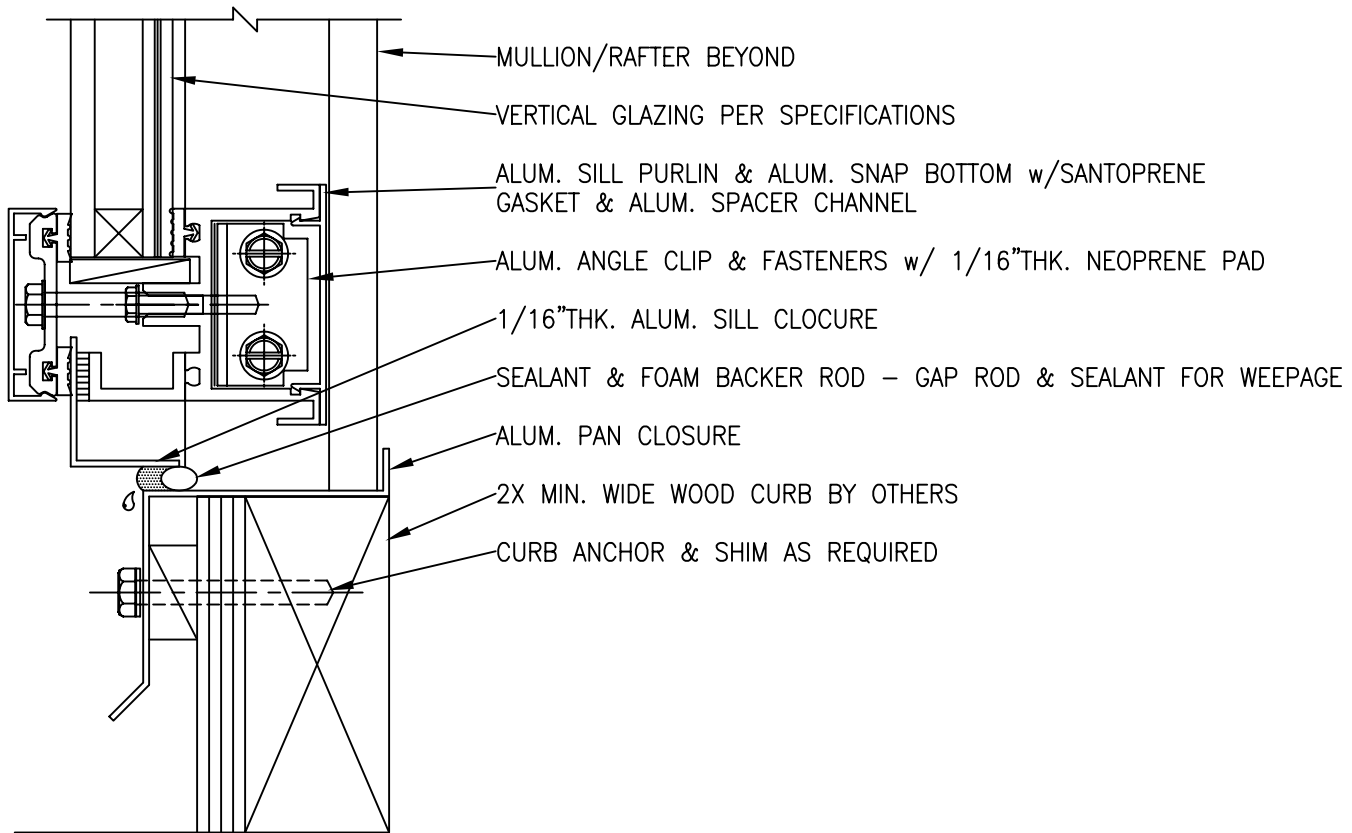
Detail No. 8

### Mullion Detail



Detail No. 9

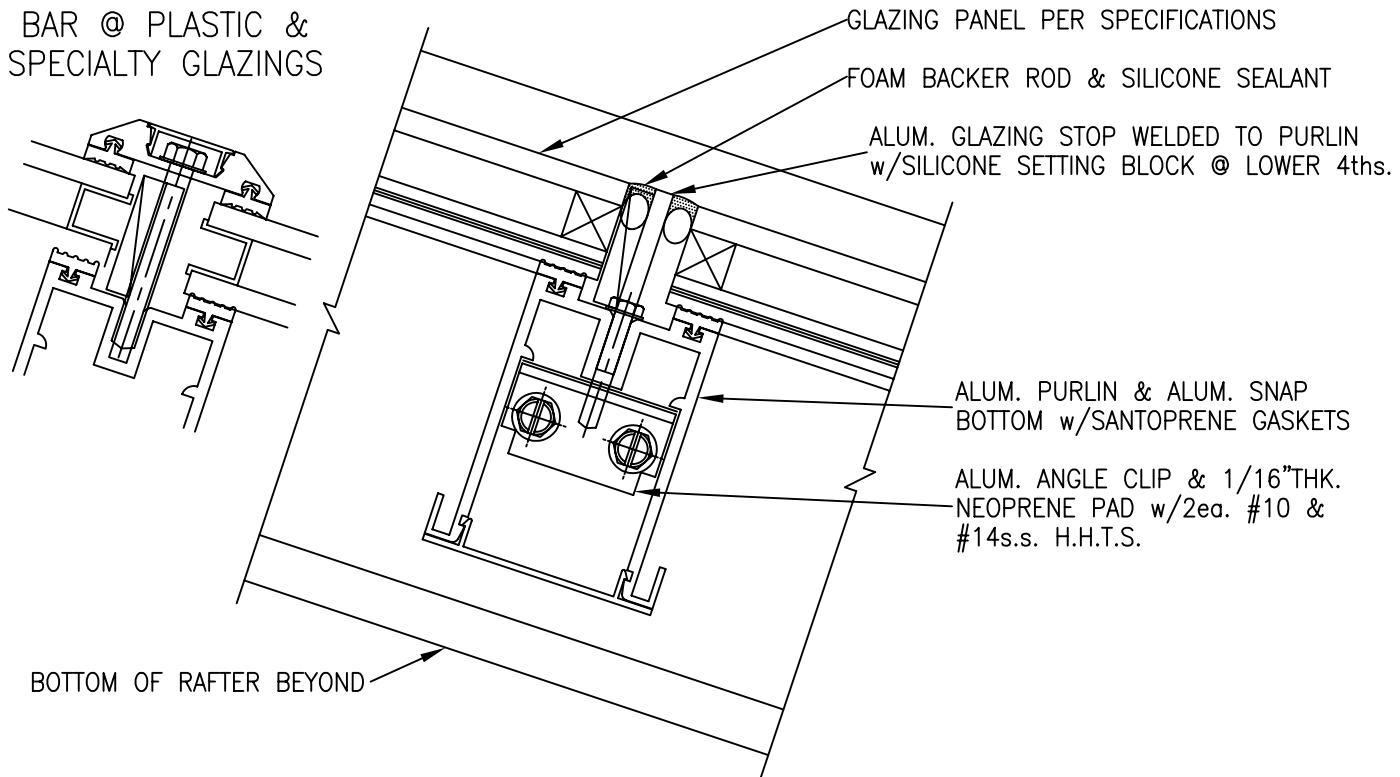
Sill at Vertical Detail



Detail No. 10

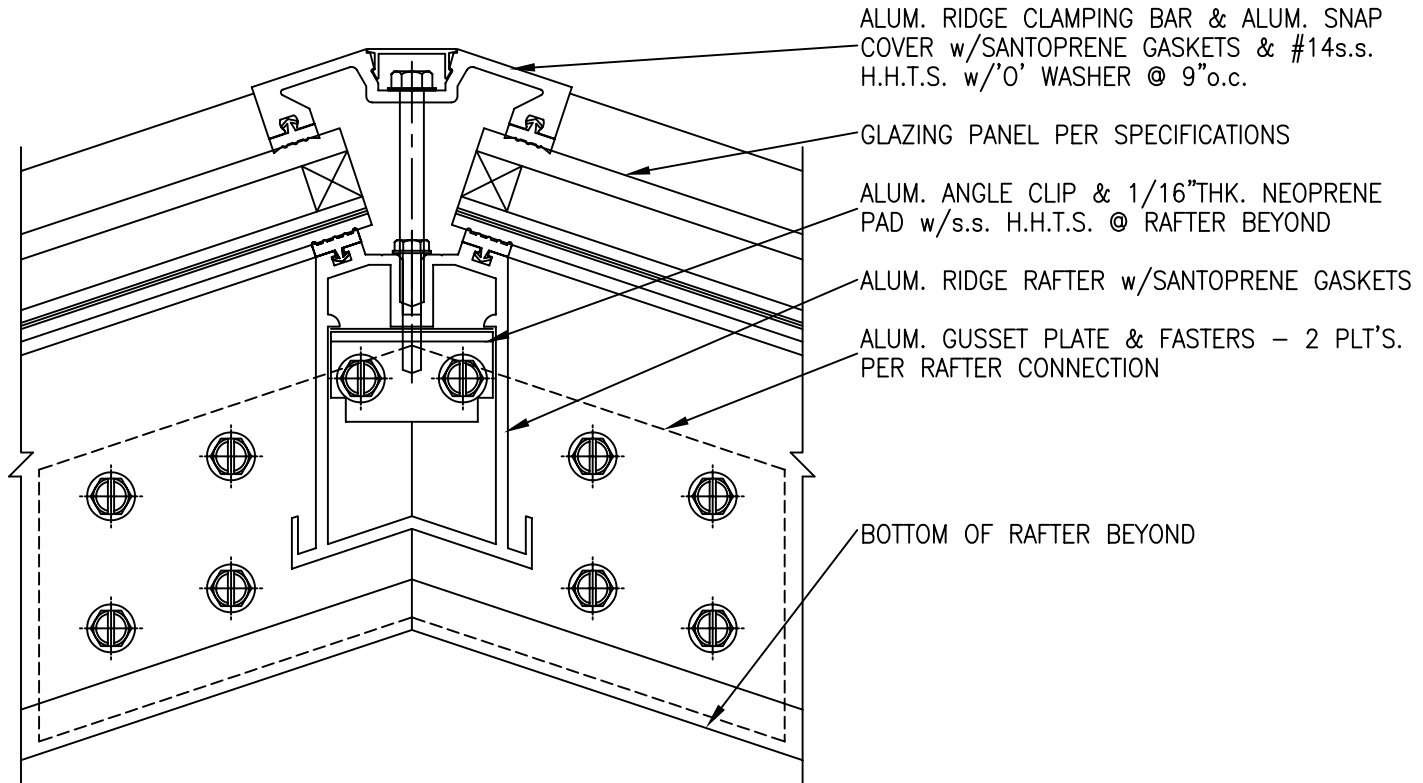
Purlin Detail

'RUN-OFF' CLAMPING  
BAR @ PLASTIC &  
SPECIALTY GLAZINGS



Detail No. 11

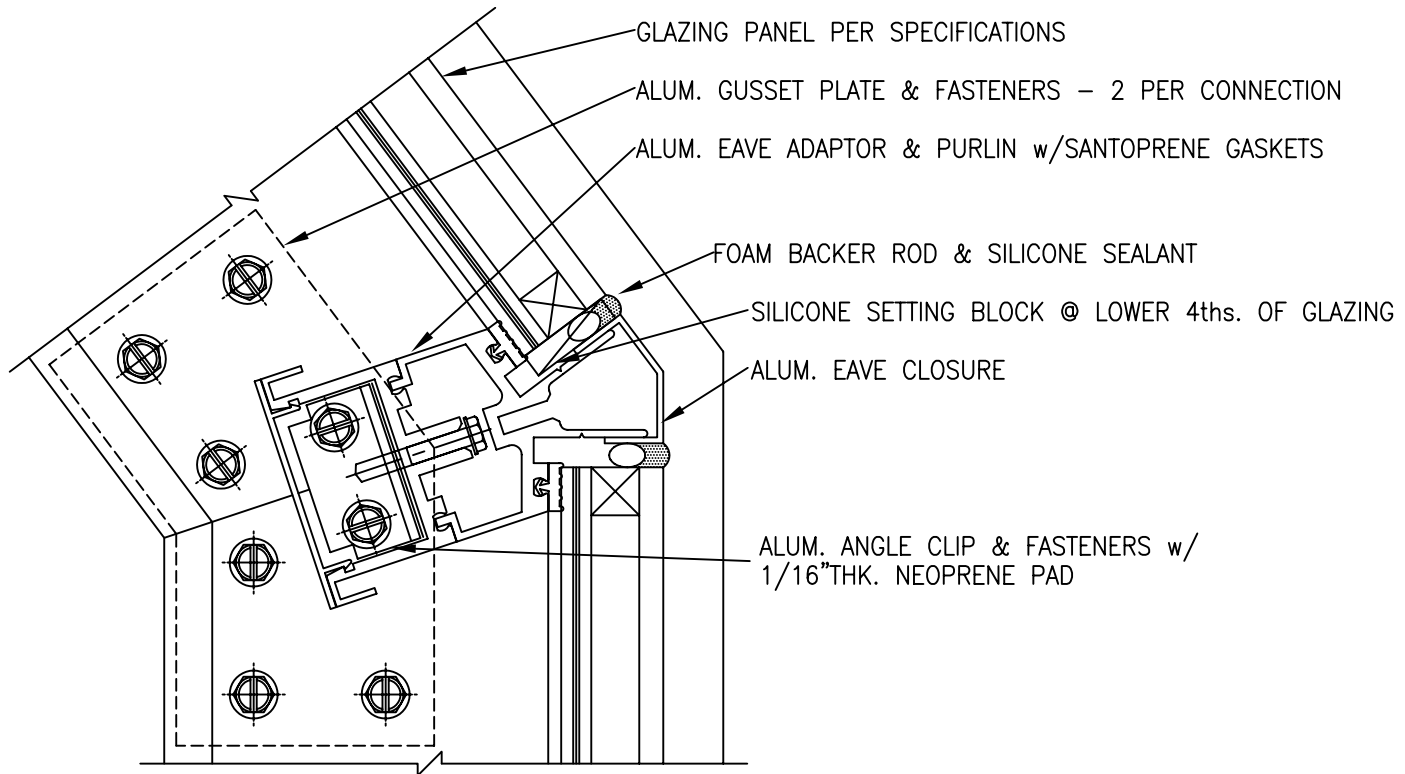
### Ridge Detail



Detail No. 14



# Eave Detail



Detail No. 15