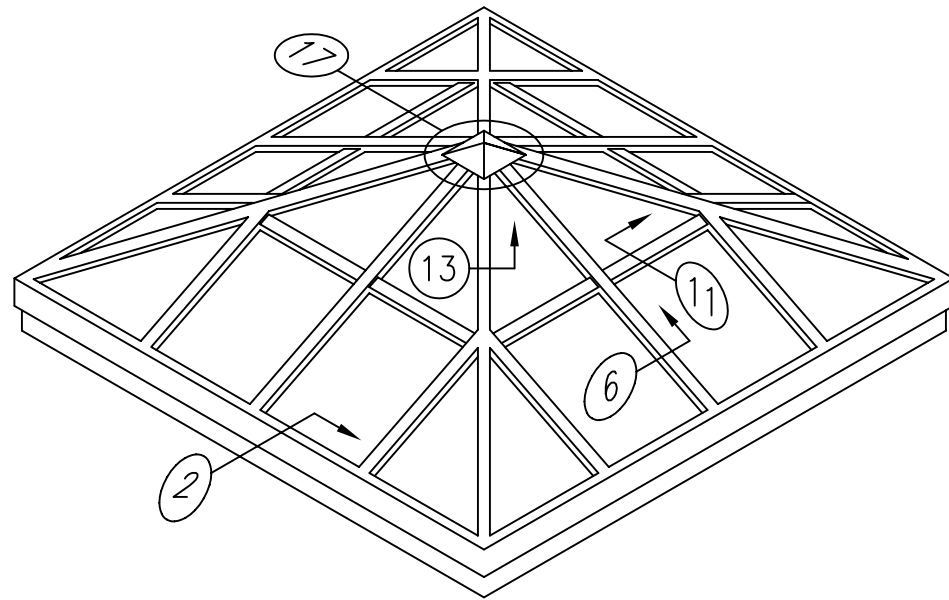
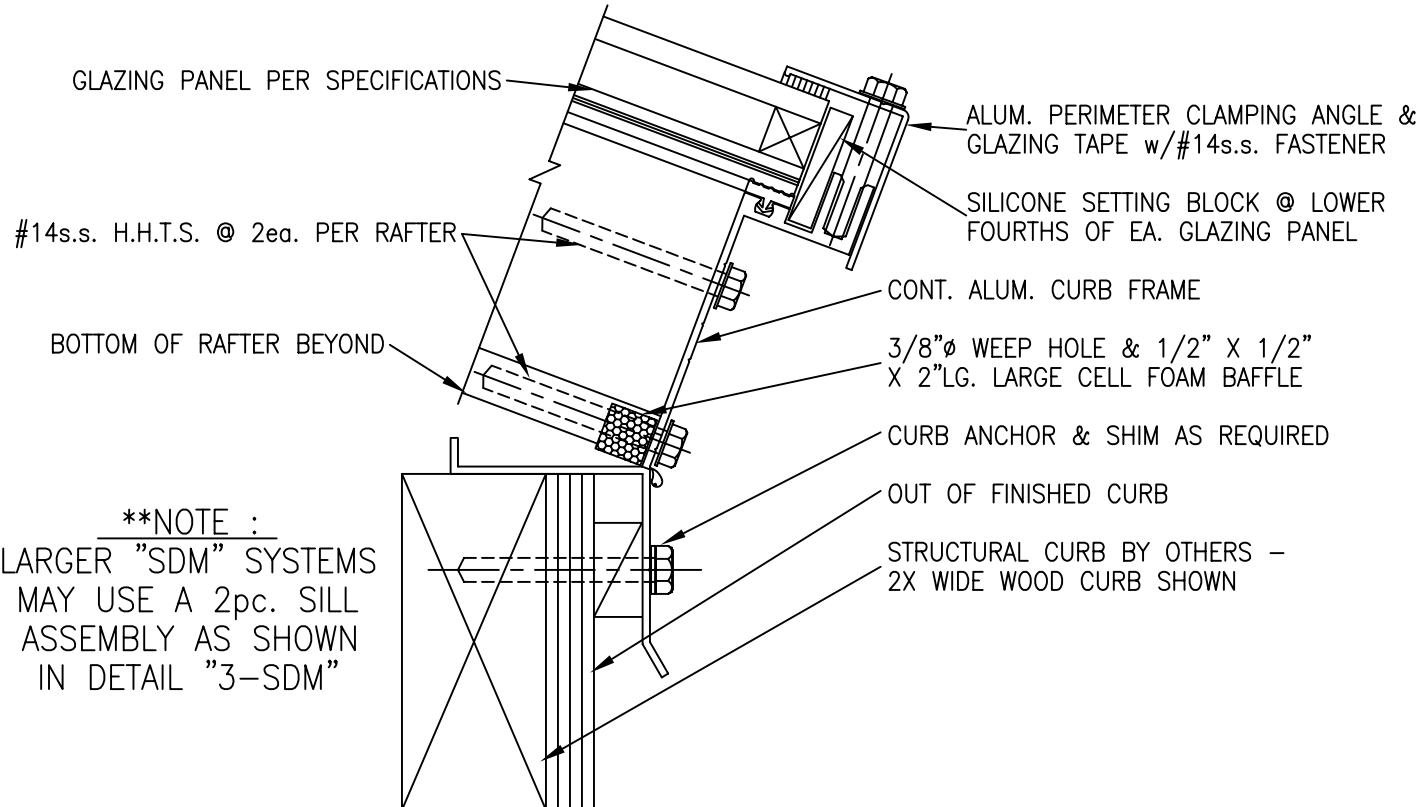


Pyramid



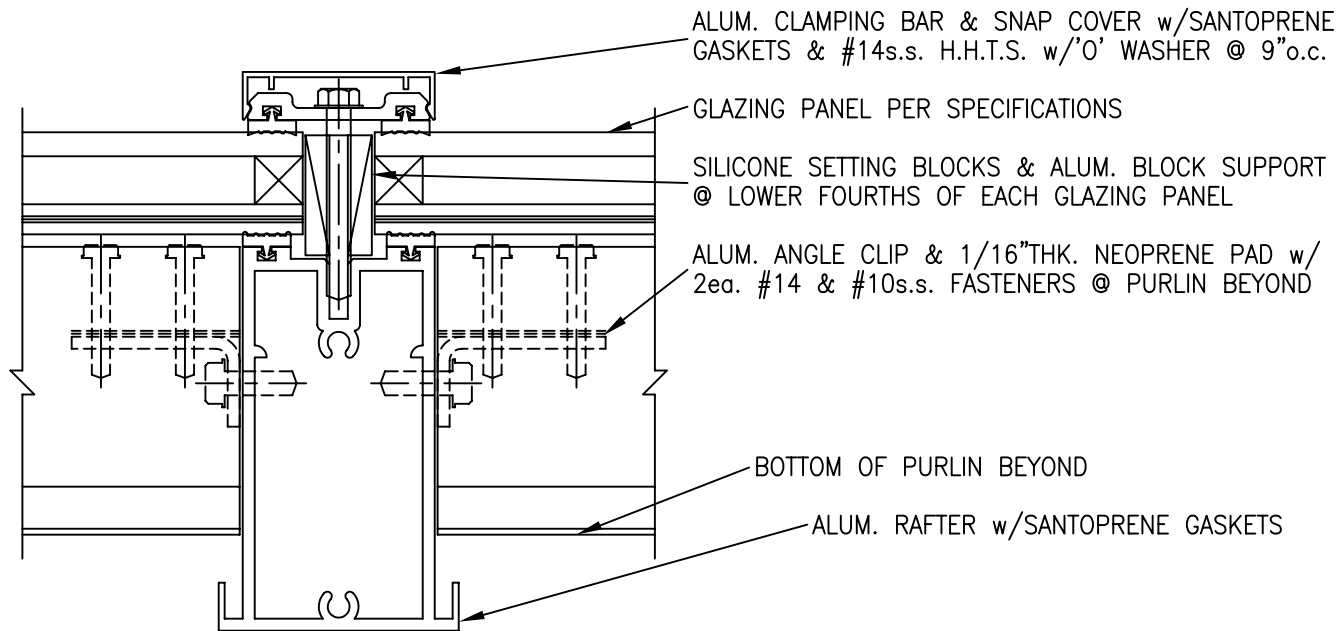
Sloped Curb / Sill Detail



**NOTE :
 LARGER "SDM" SYSTEMS
 MAY USE A 2pc. SILL
 ASSEMBLY AS SHOWN
 IN DETAIL "3-SDM"

Detail No. 2

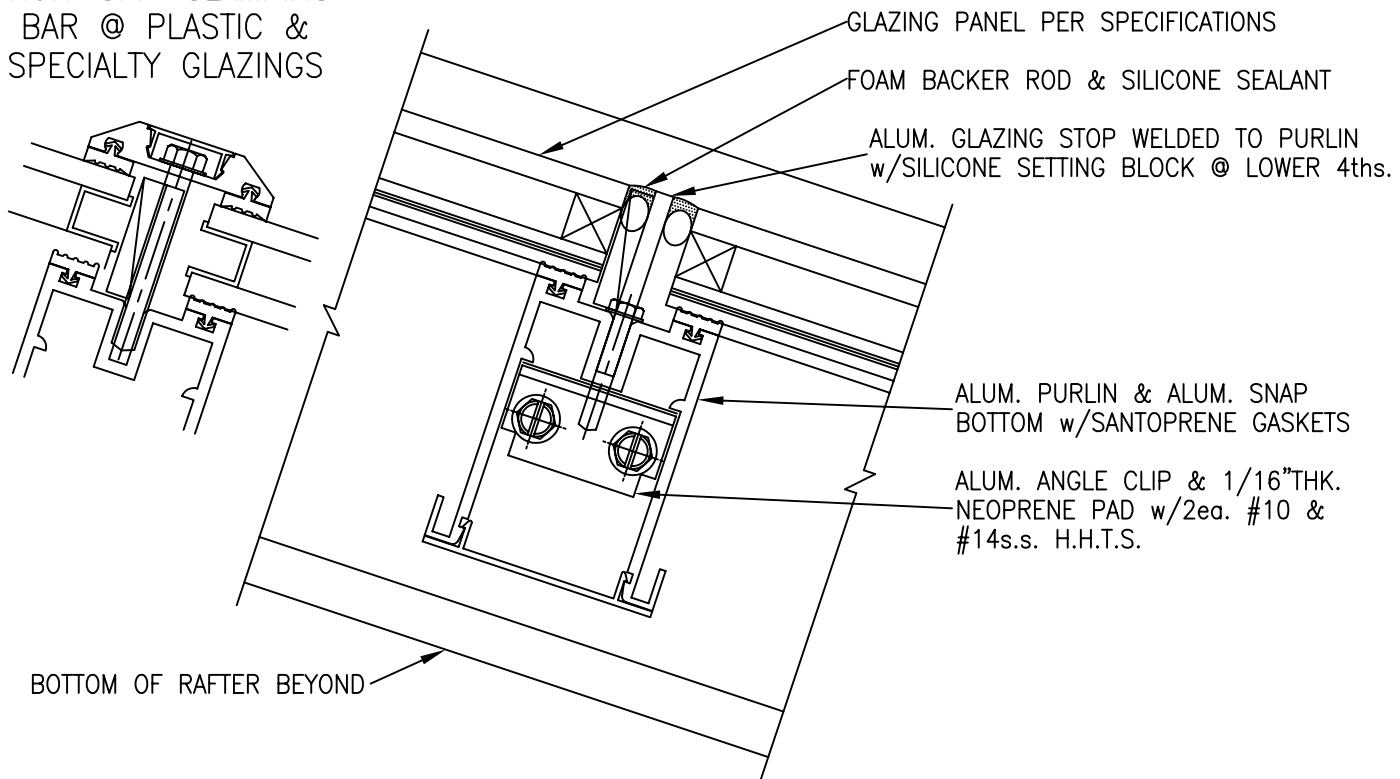
Rafter Detail



Detail No. 6

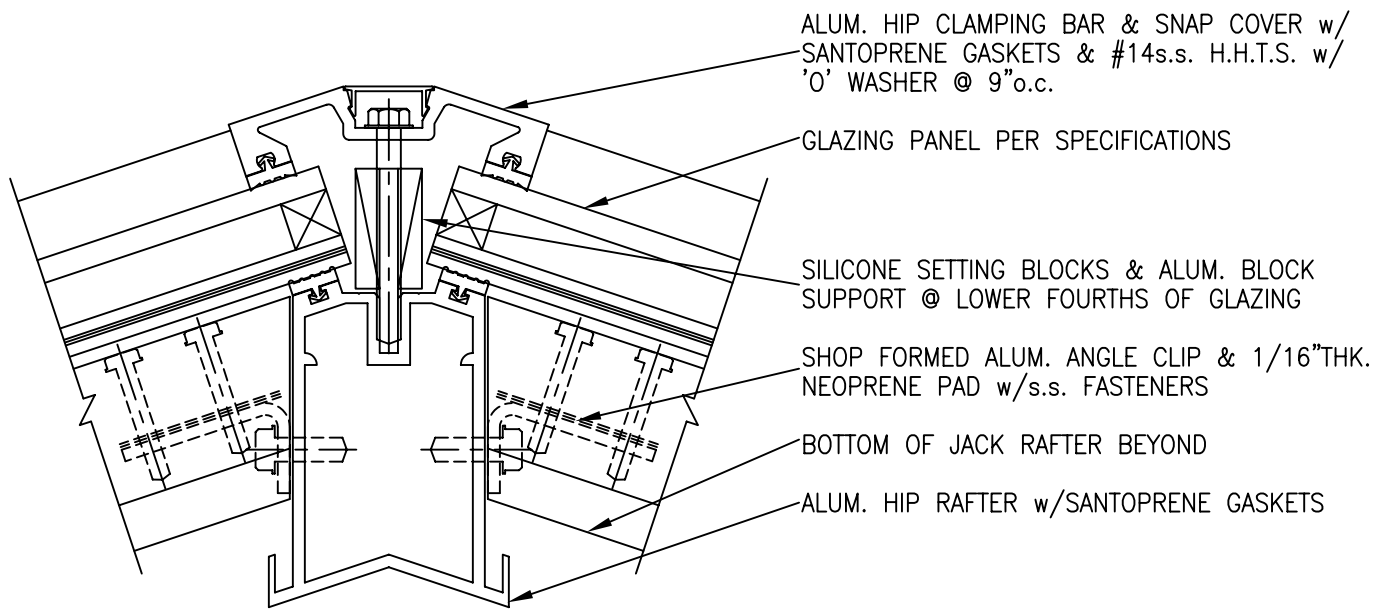
Purlin Detail

'RUN-OFF' CLAMPING
BAR @ PLASTIC &
SPECIALTY GLAZINGS



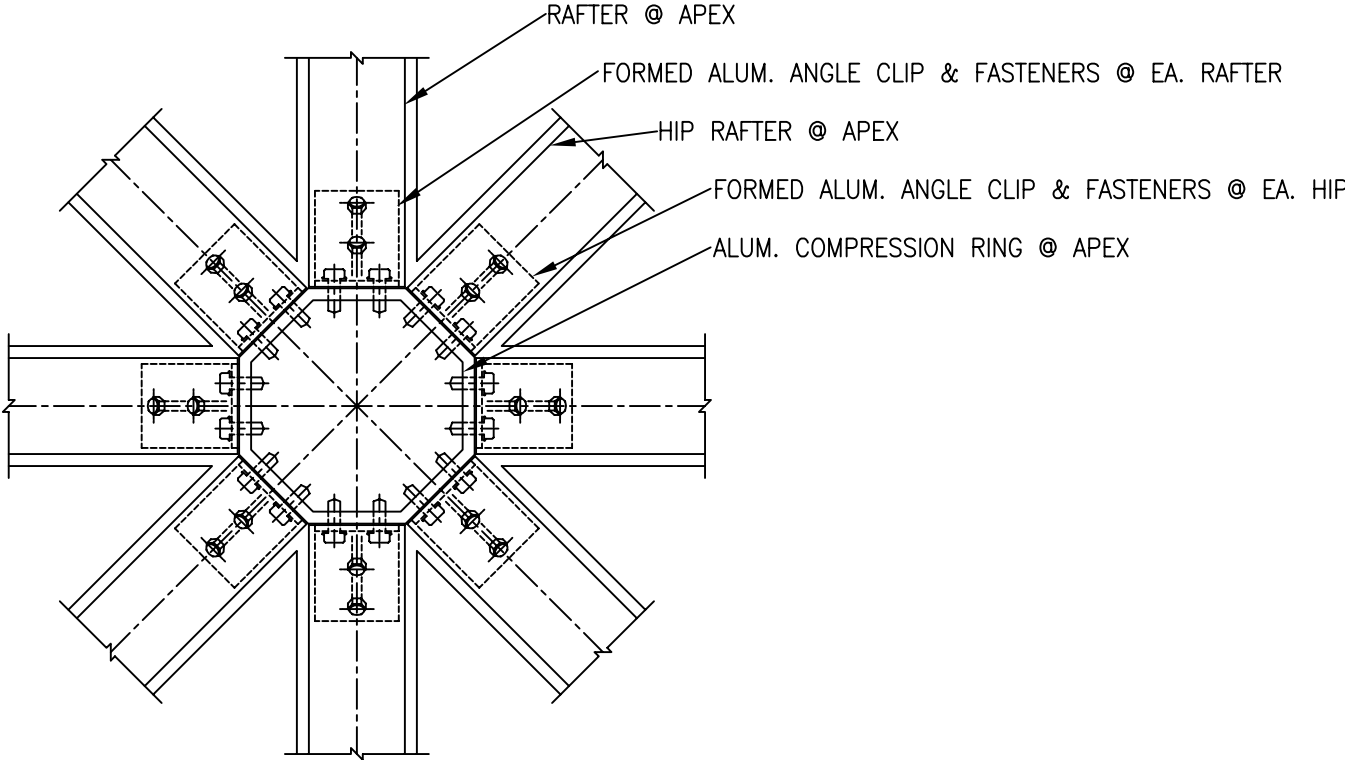
Detail No. 11

Hip Rafter Detail



Detail No. 13

Apex Detail / Compression Ring



Detail No. 17