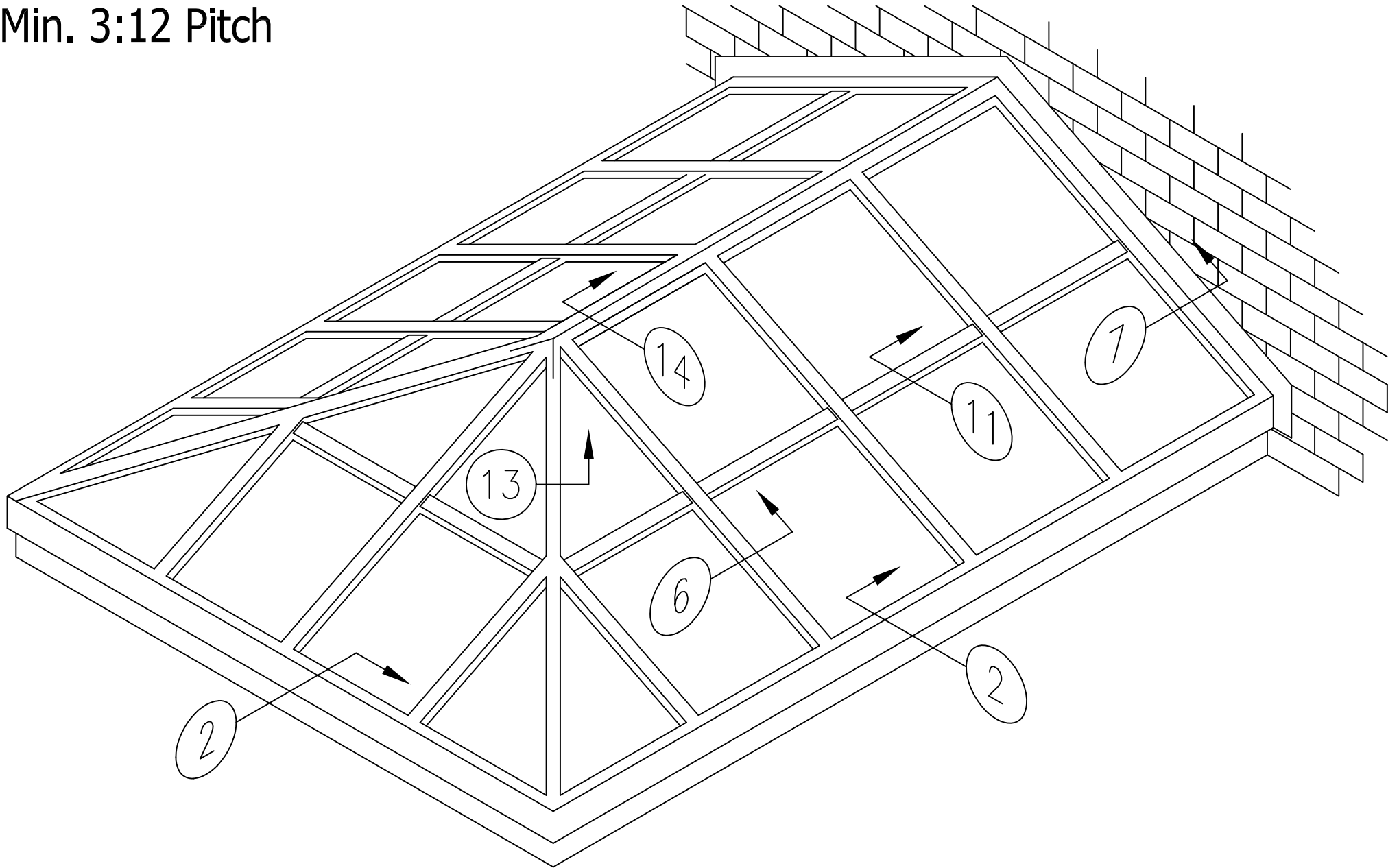
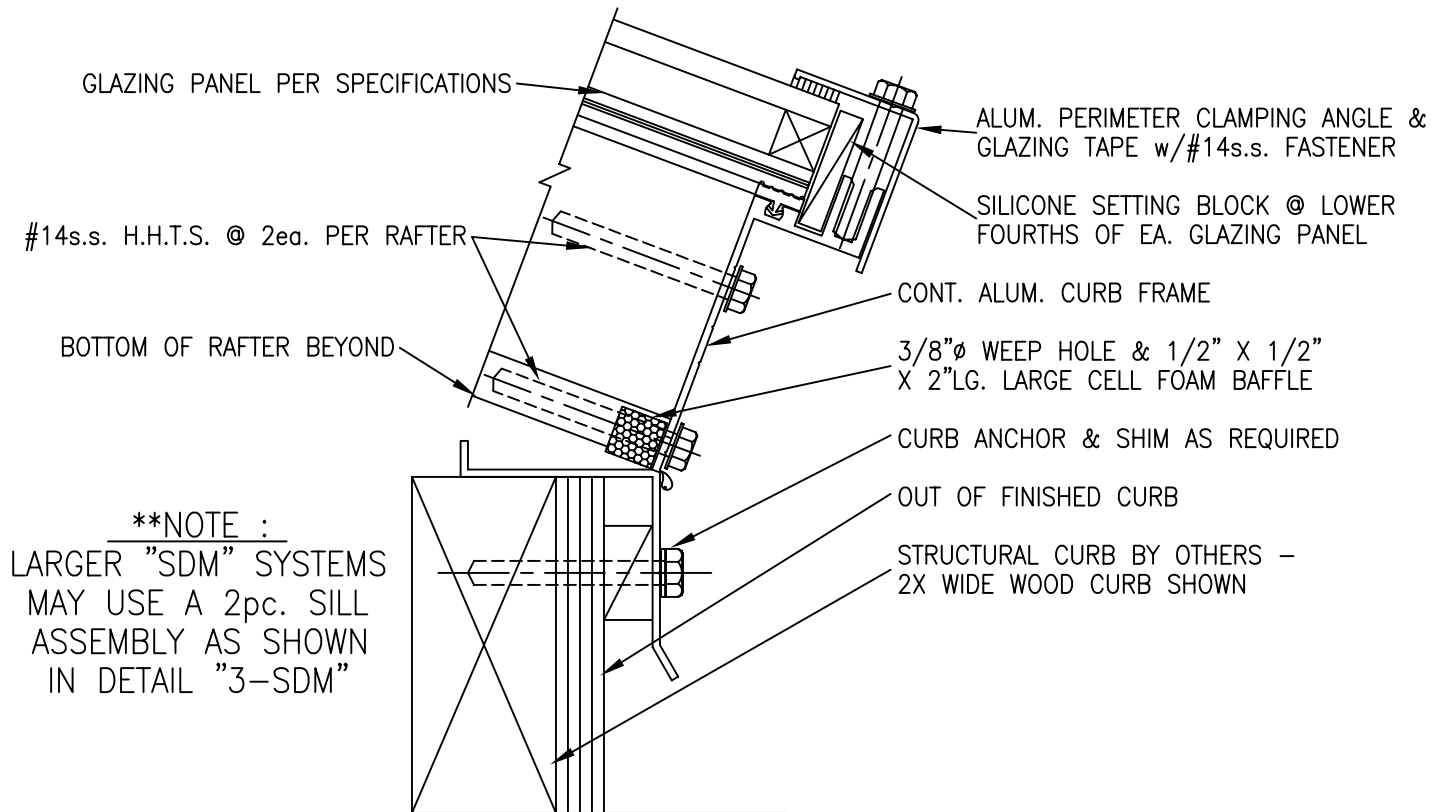


Hip Ridge

Min. 3:12 Pitch

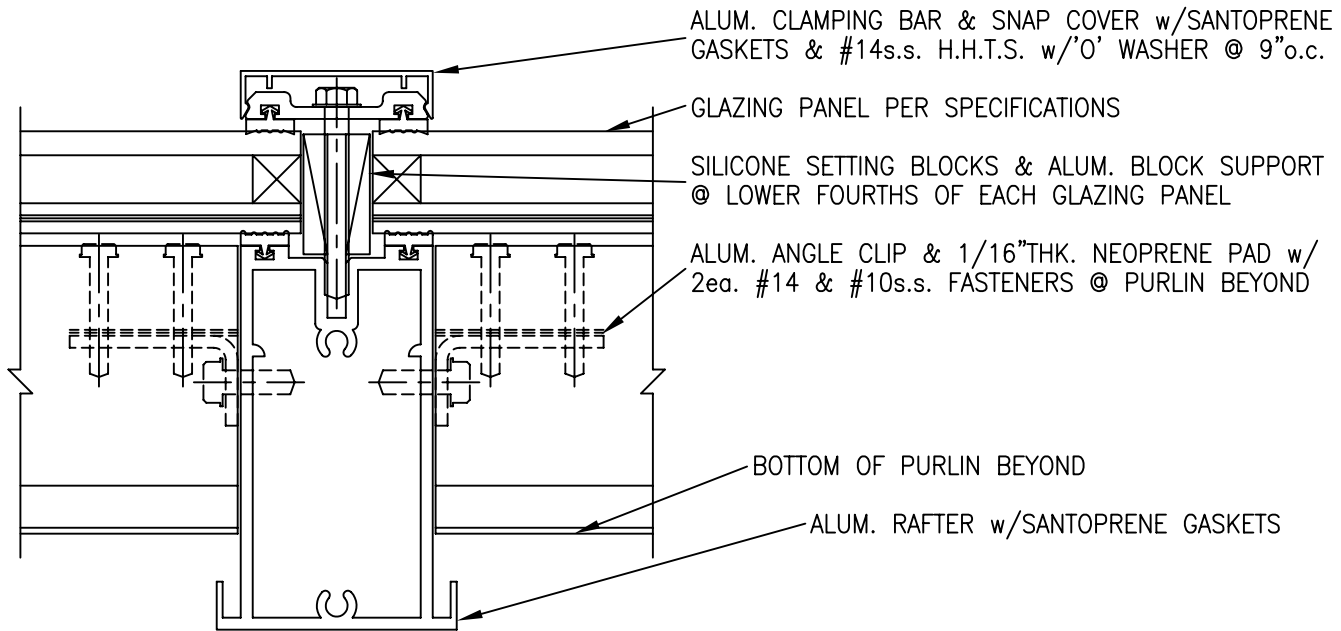


### Sloped Curb / Sill Detail



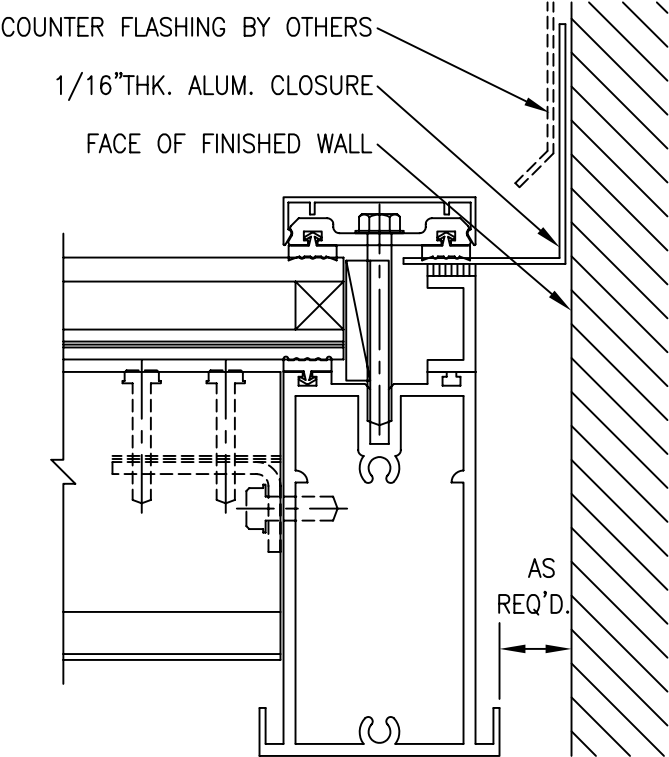
Detail No. 2

Rafter Detail



Detail No. 6

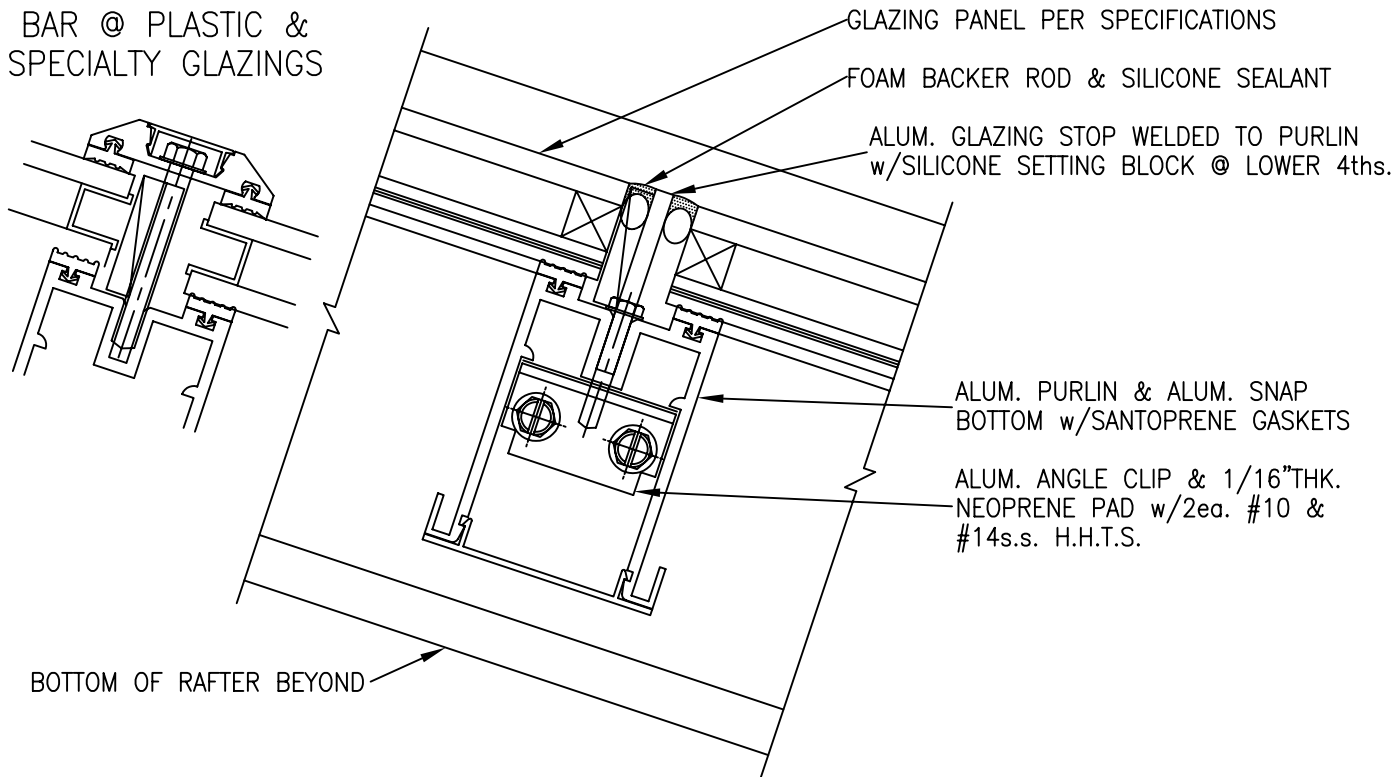
Rafter at Wall Detail



Detail No.7

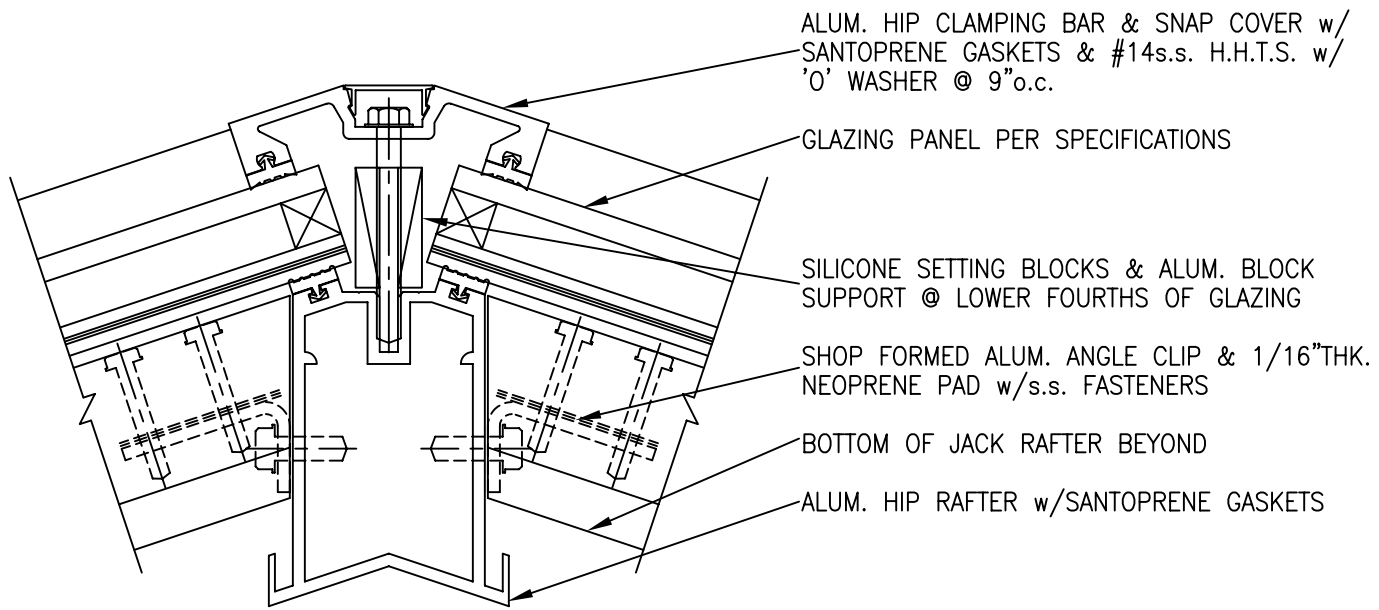
# Purlin Detail

'RUN-OFF' CLAMPING  
BAR @ PLASTIC &  
SPECIALTY GLAZINGS



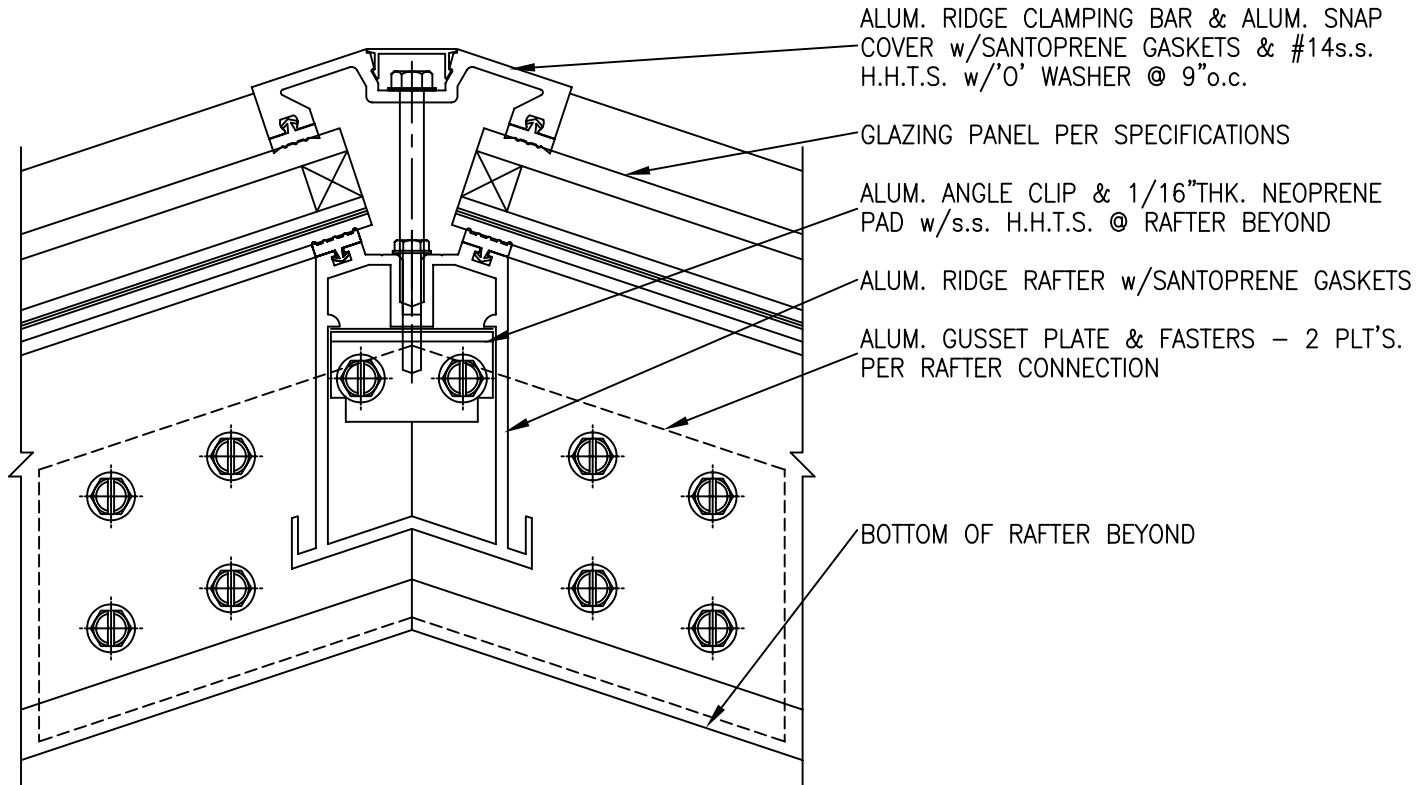
Detail No. 11

### Hip Rafter Detail



Detail No. 13

### Ridge Detail



Detail No. 14