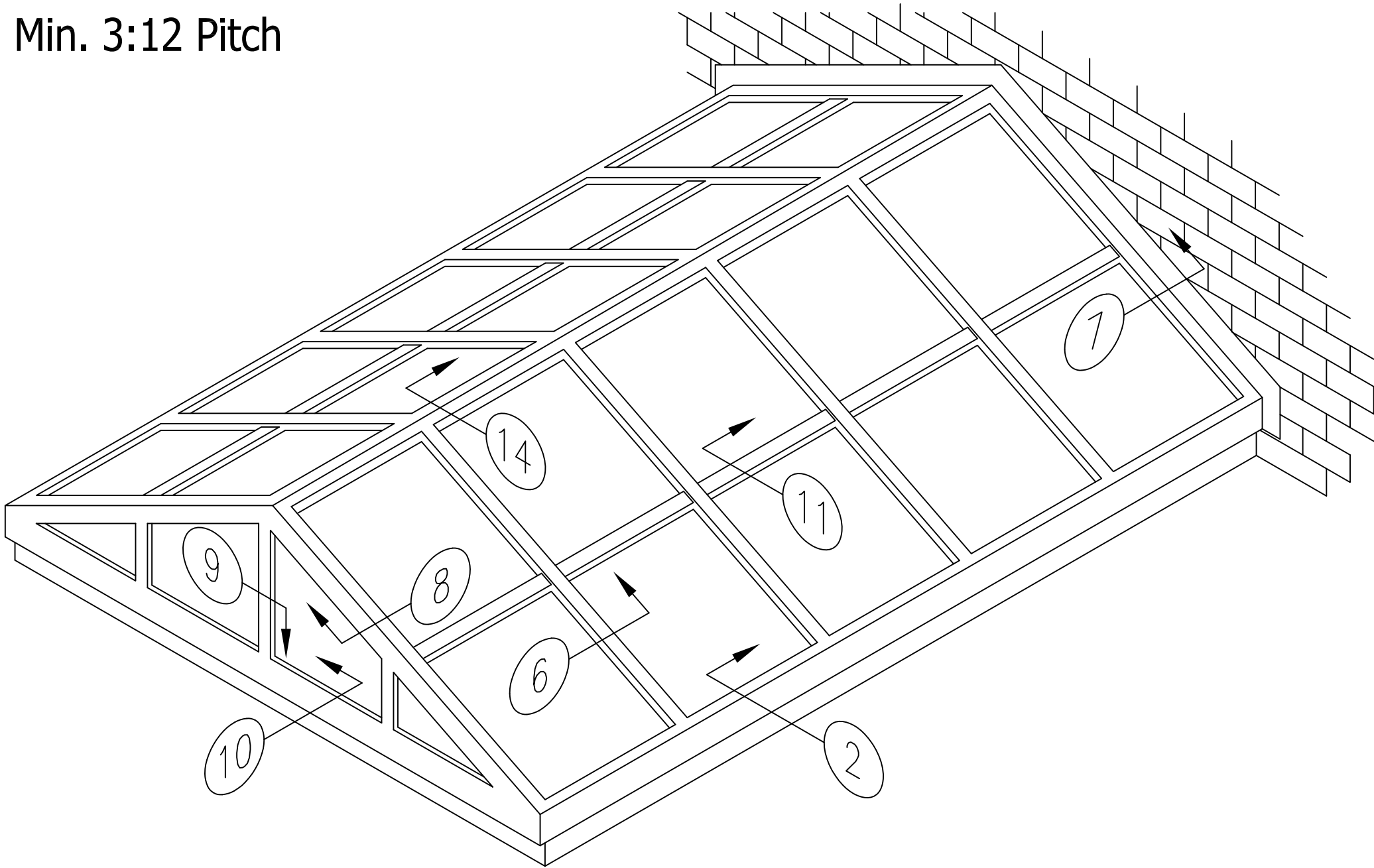
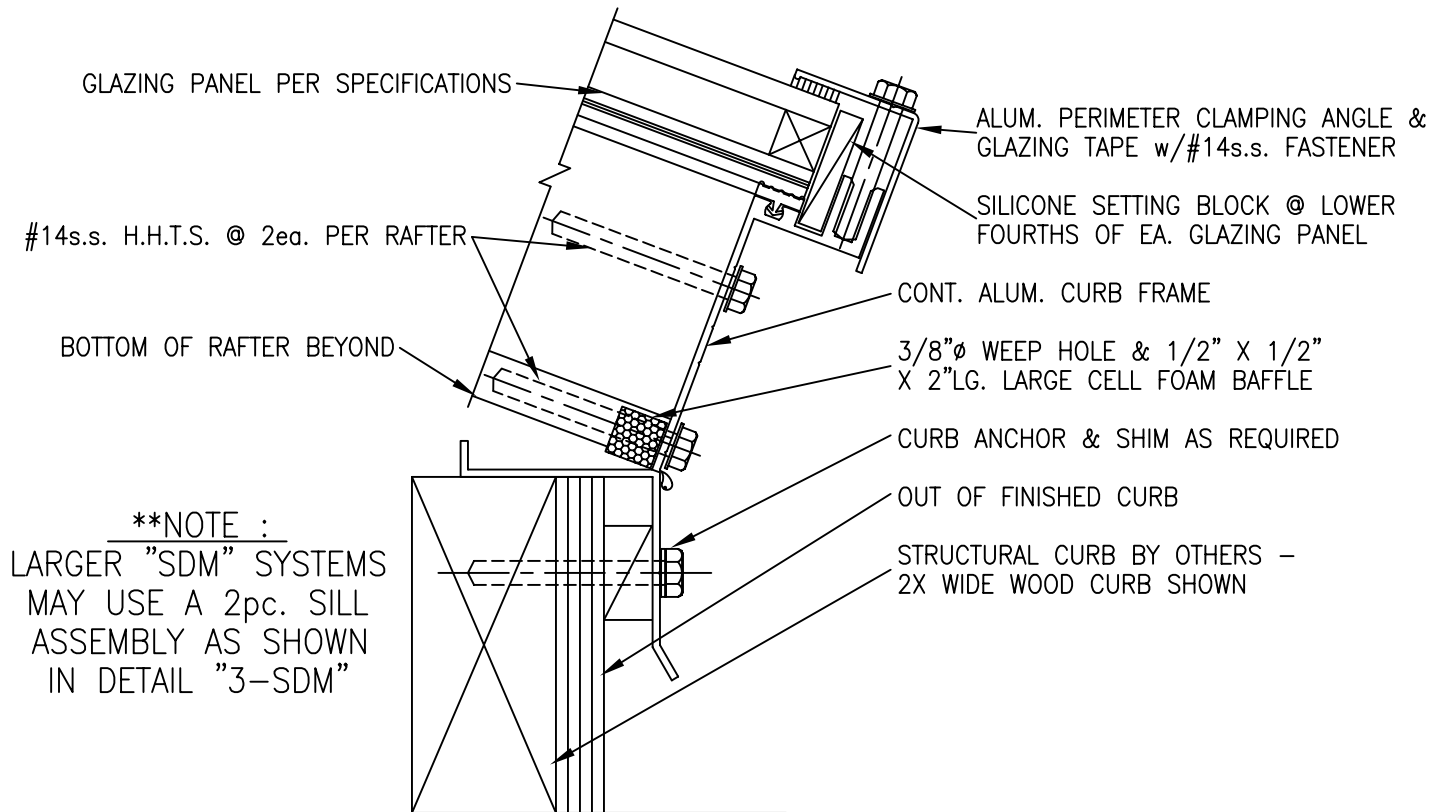


Gable Ridge

Min. 3:12 Pitch

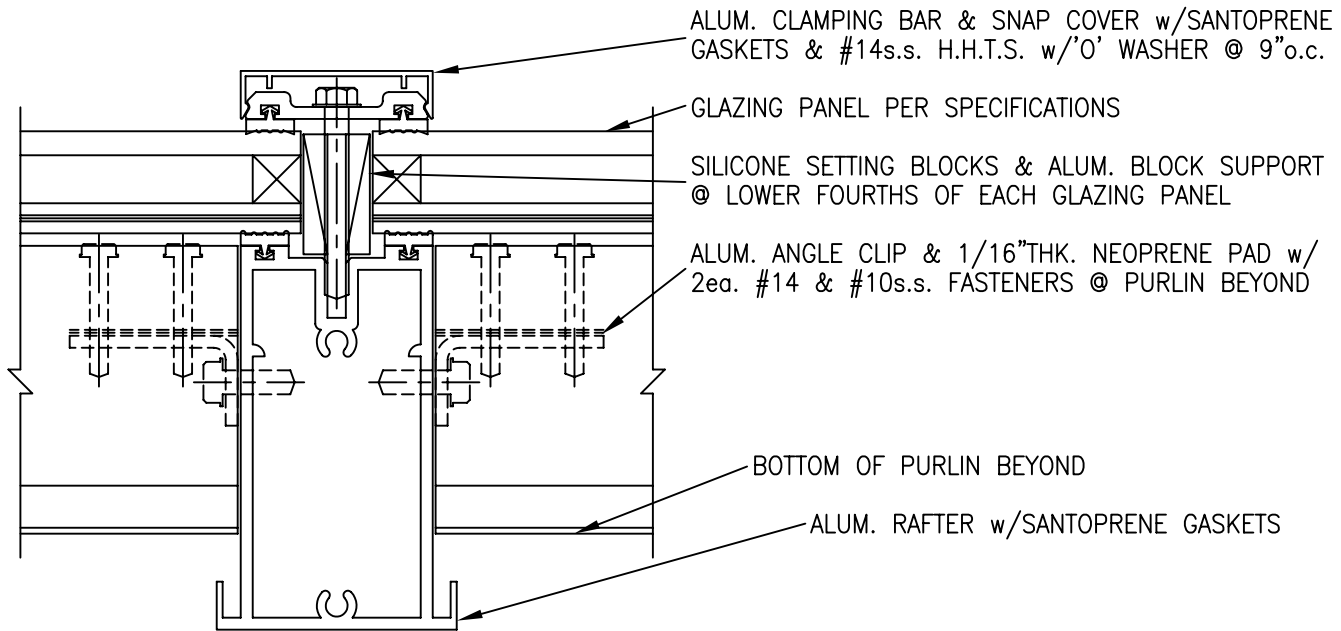


Sloped Curb / Sill Detail



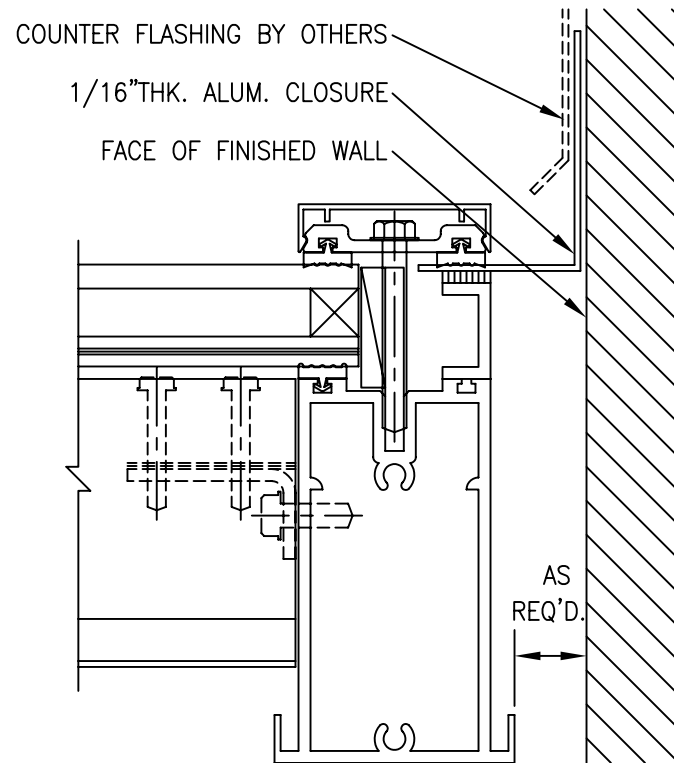
Detail No. 2

Rafter Detail



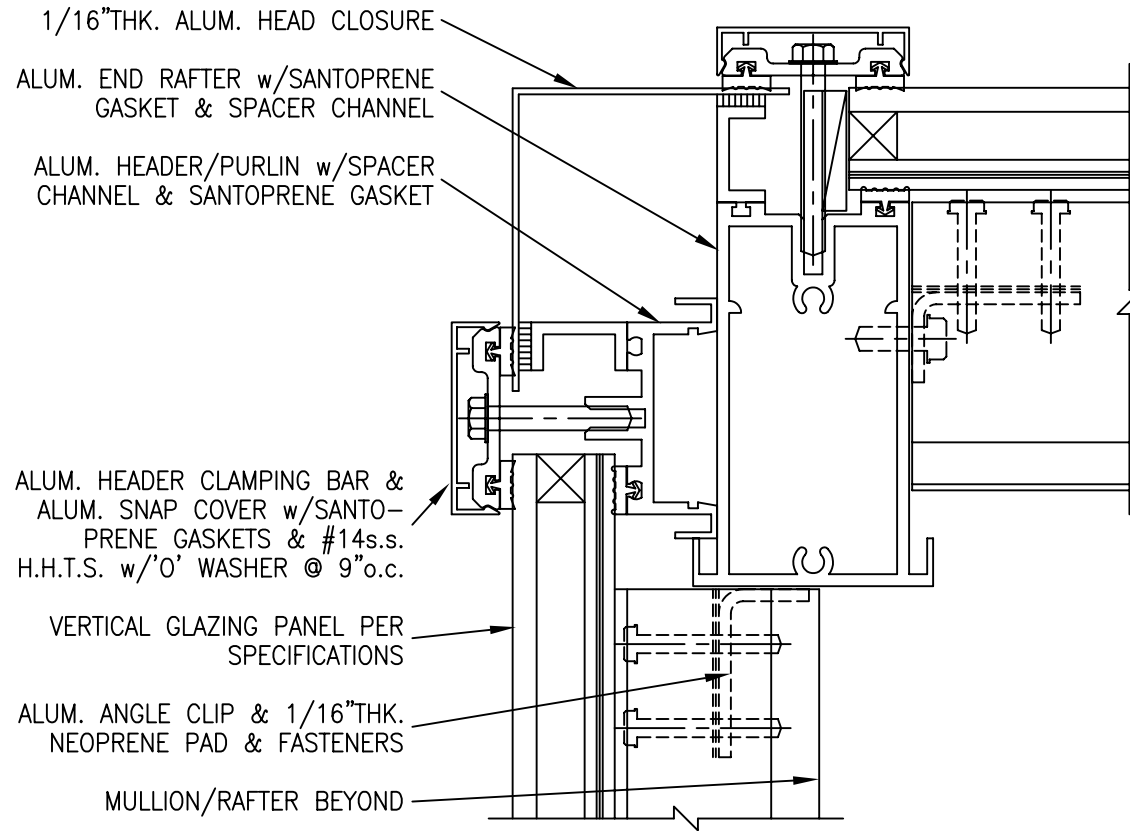
Detail No. 6

Rafter at Wall Detail



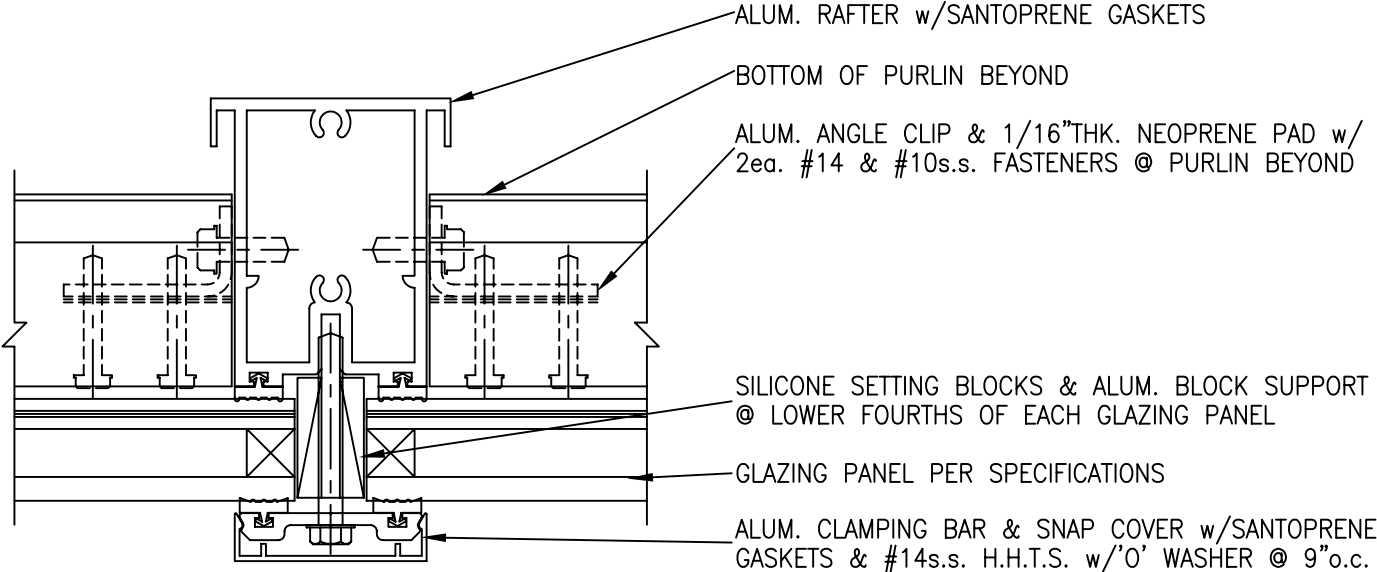
Detail No. 7

Rafter at Vertical Detail



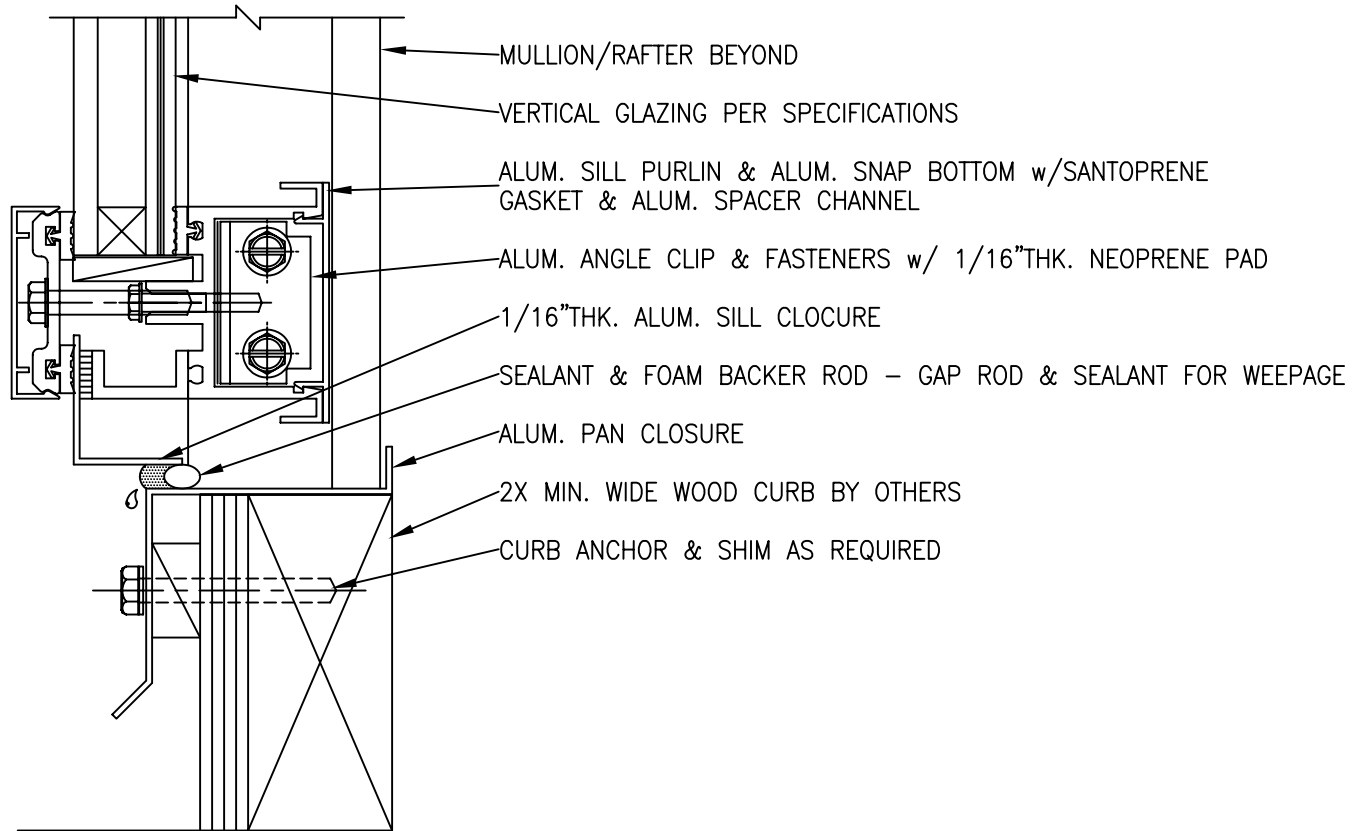
Detail No. 8

Mullion Detail



Detail No. 9

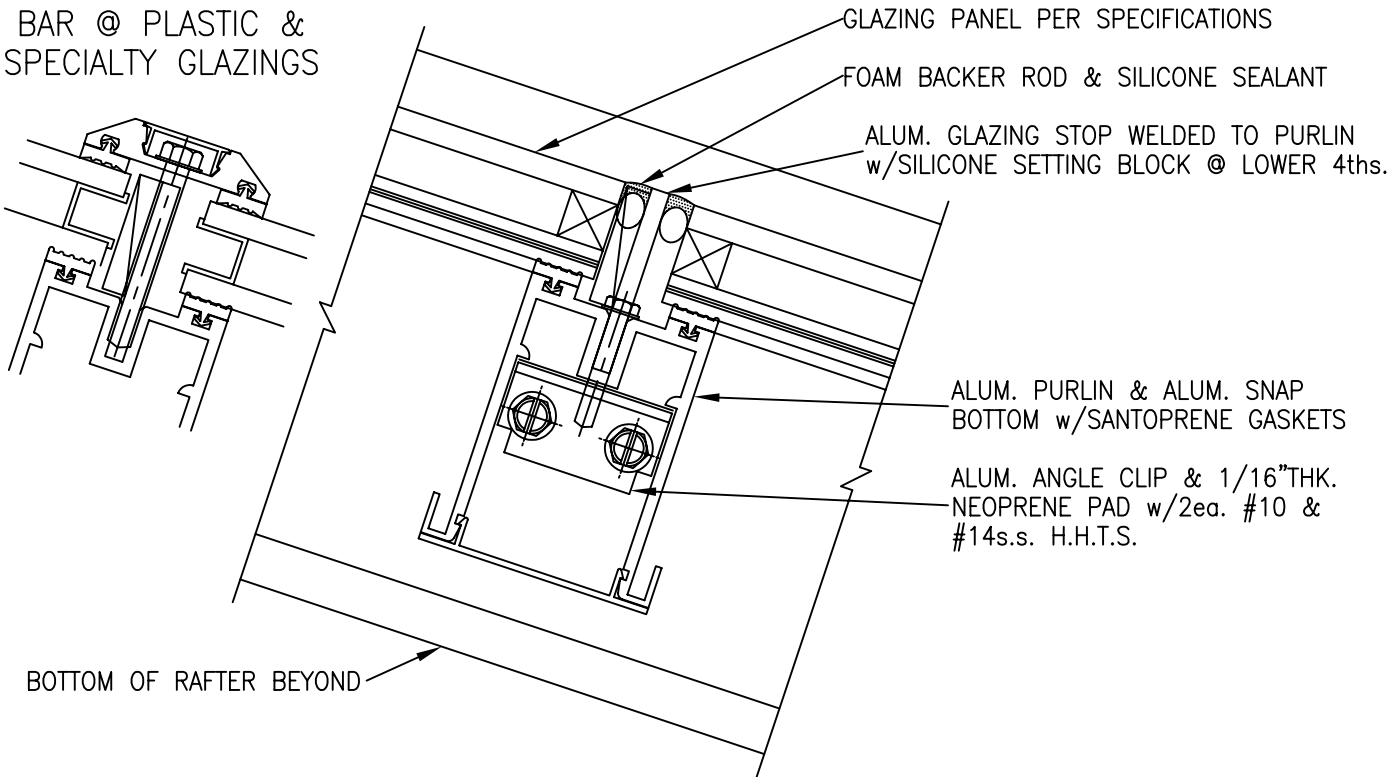
Sill at Vertical Detail



Detail No. 10

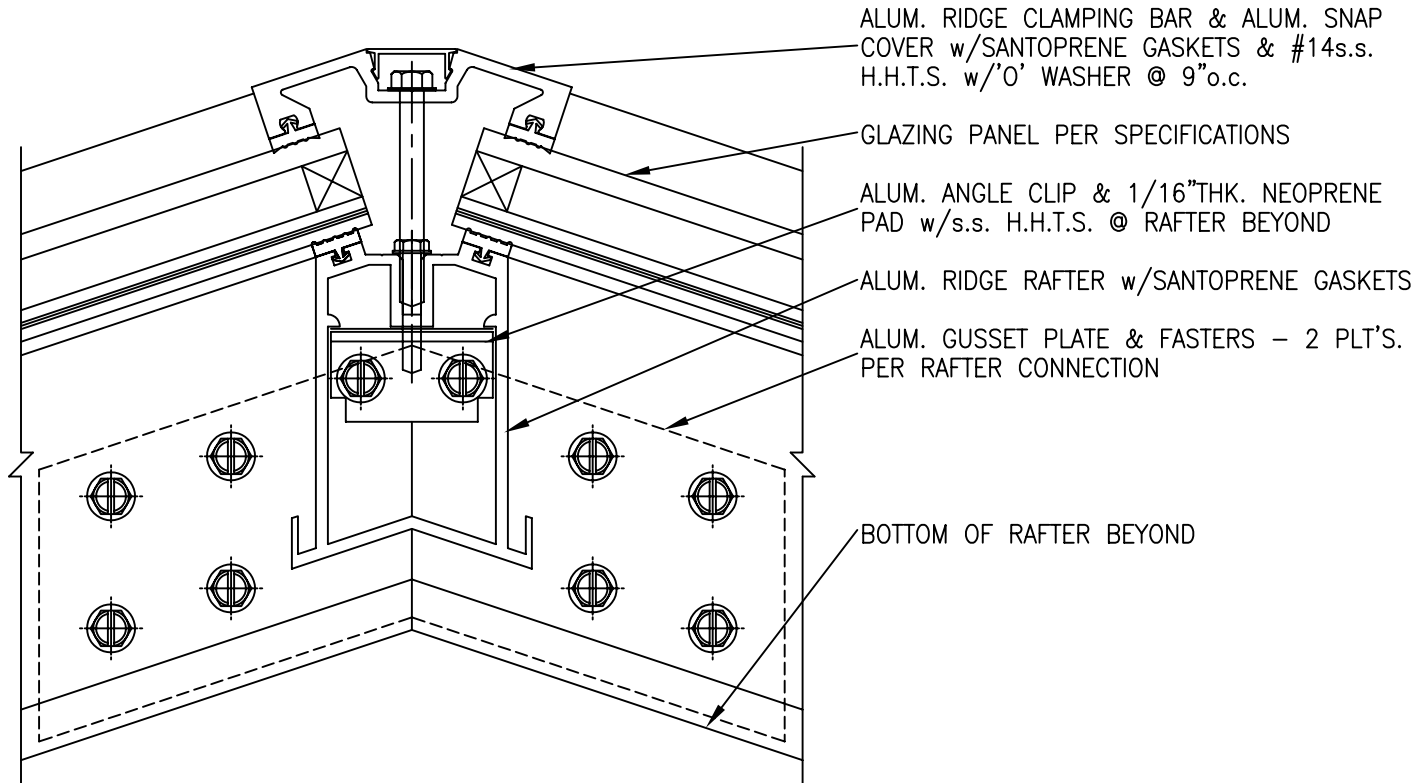
Purlin Detail

'RUN-OFF' CLAMPING
BAR @ PLASTIC &
SPECIALTY GLAZINGS



Detail No. 11

Ridge Detail



Detail No. 14