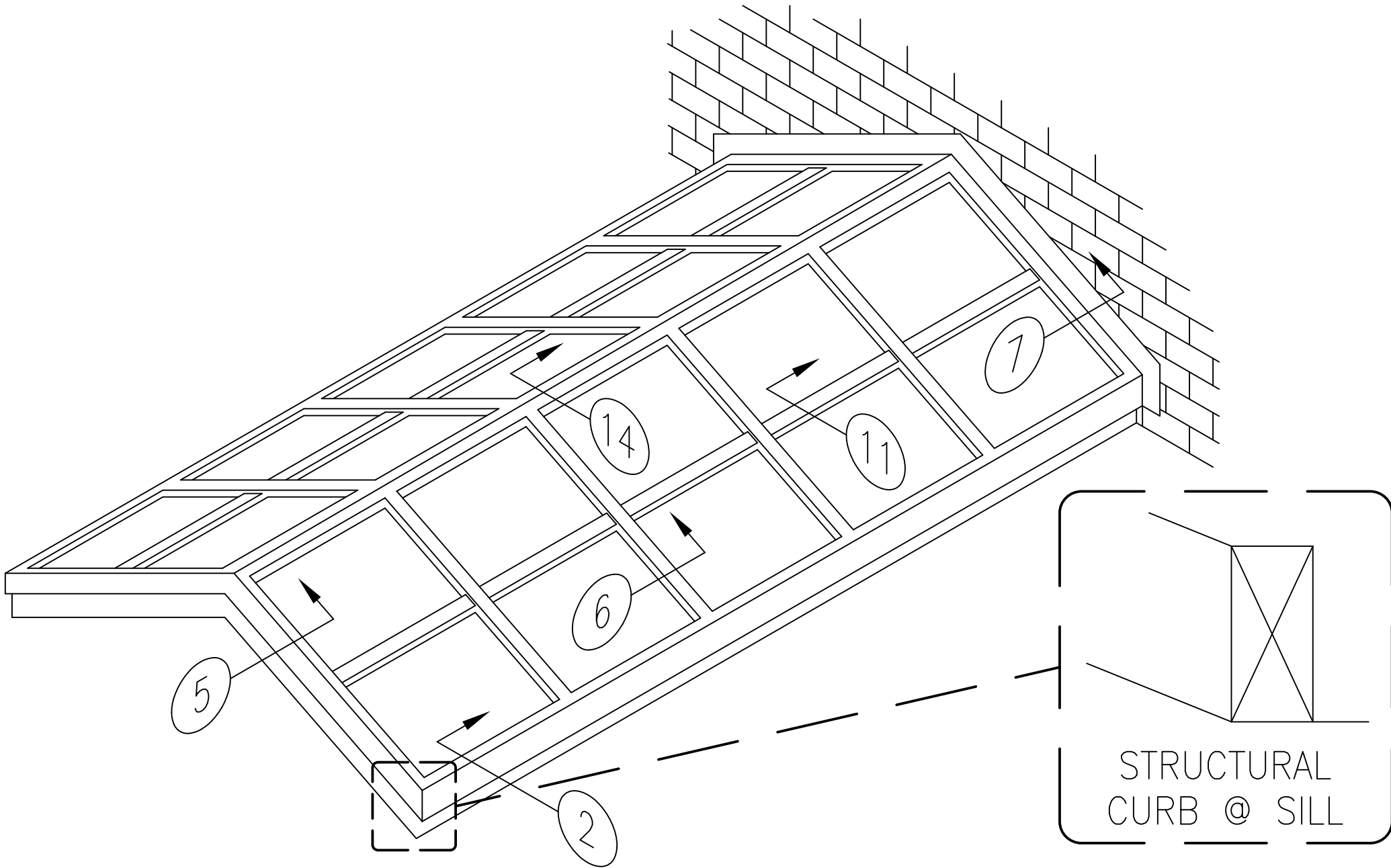
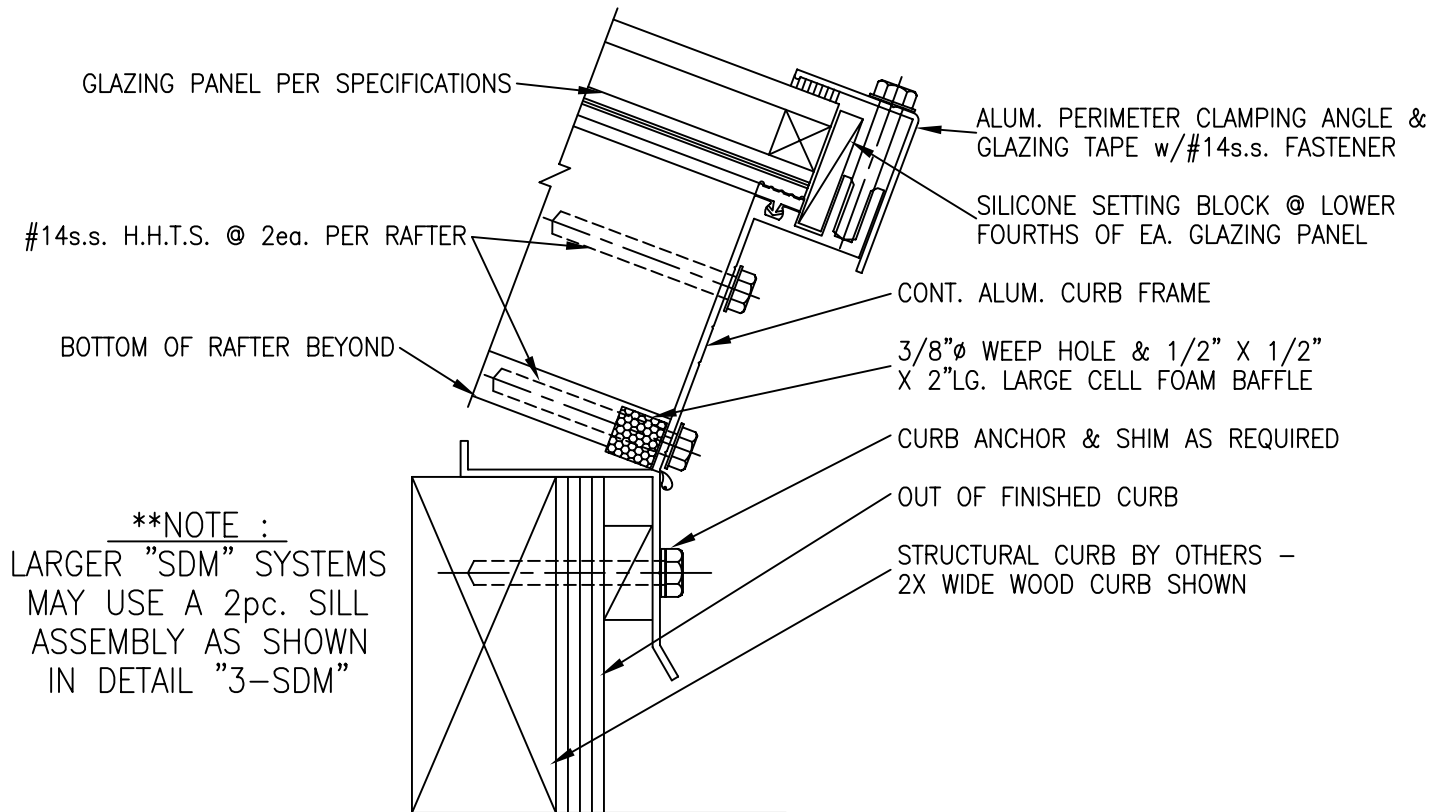


Ridge (Plumb Curbs)

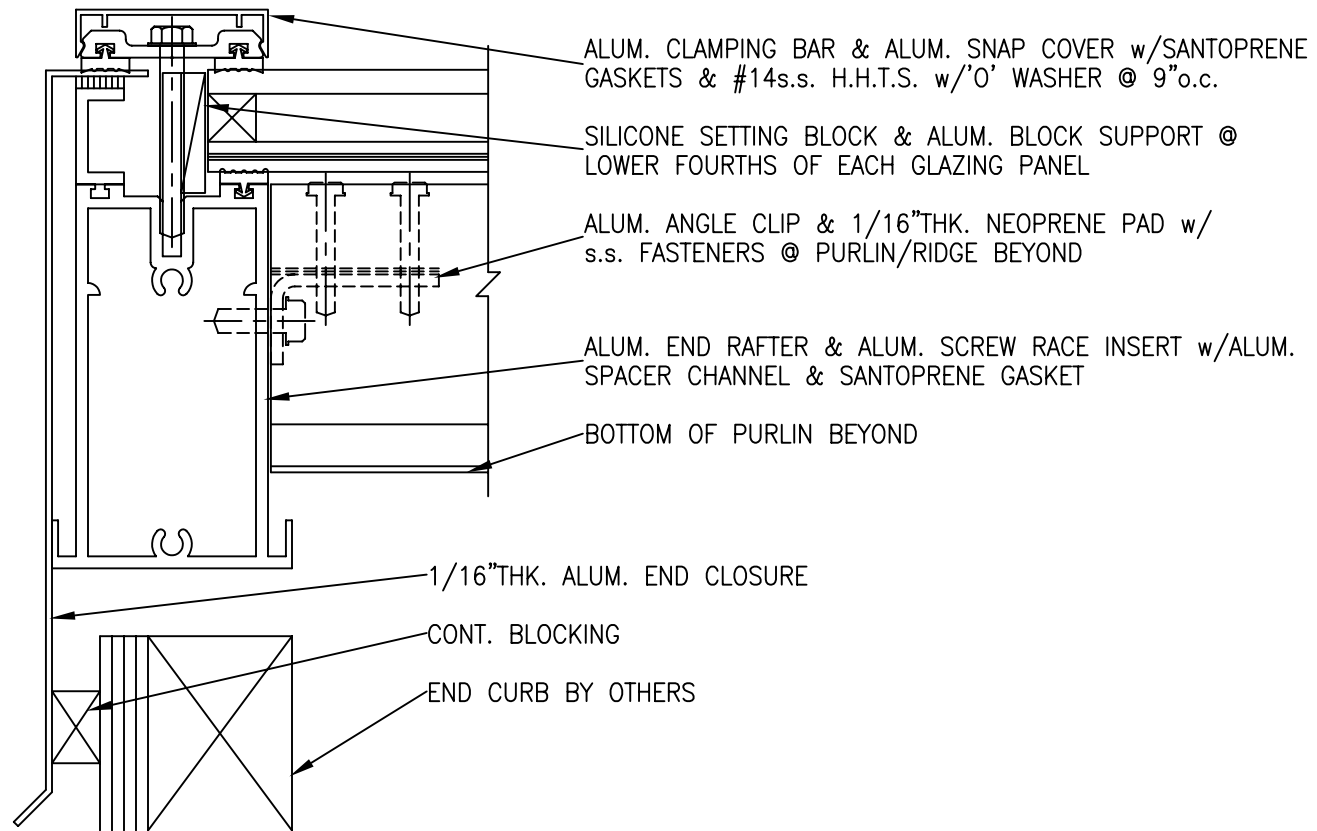


## Sloped Curb / Sill Detail



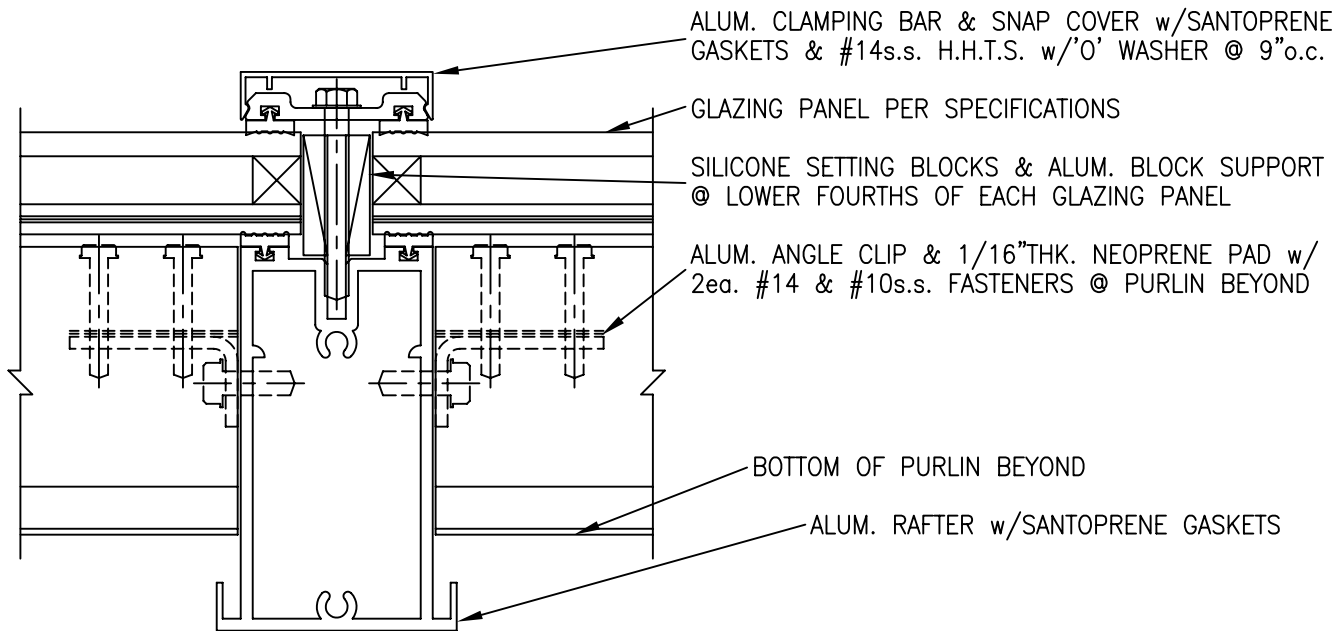
Detail No. 2

End Curb / End Sill Detail (Field Assembled)



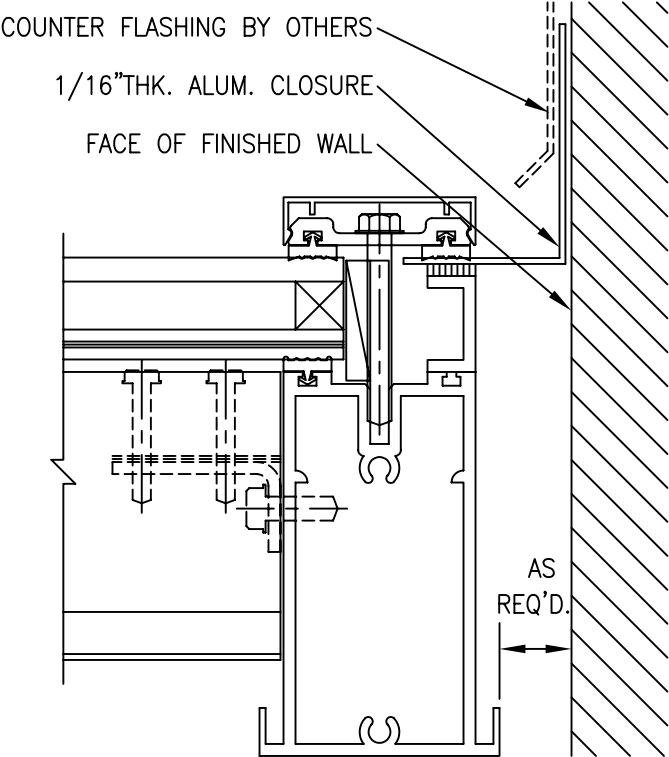
Detail No. 5

### Rafter Detail



Detail No. 6

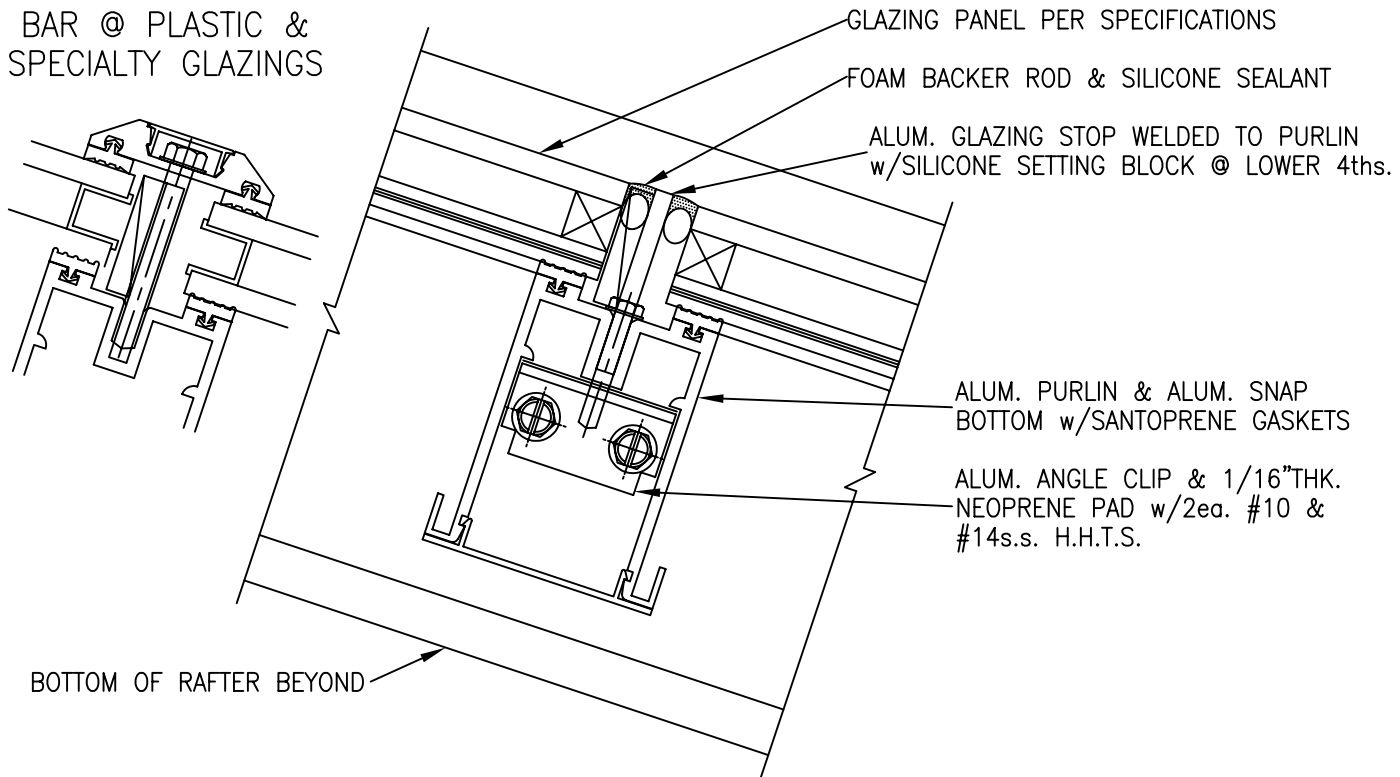
Rafter at Wall Detail



Detail No. 7

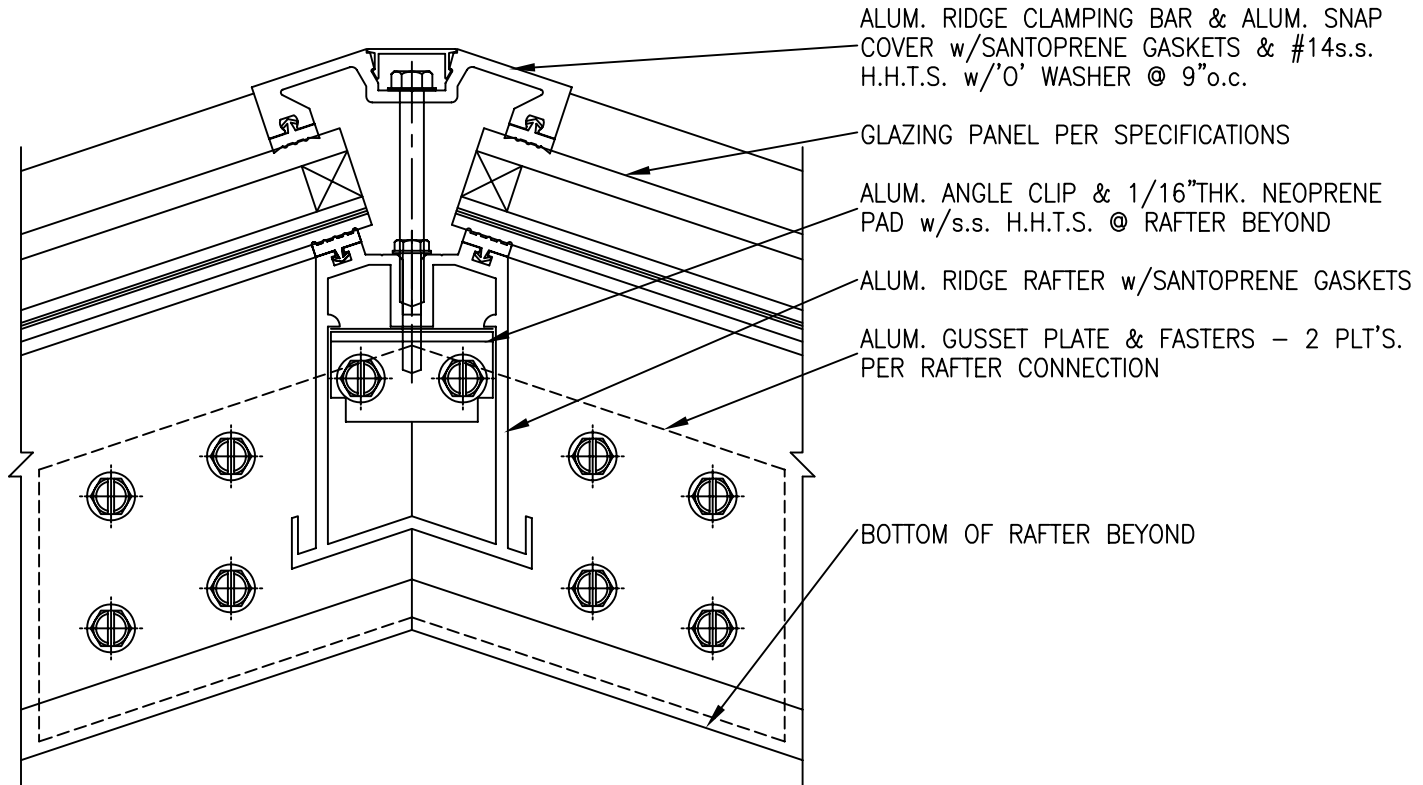
# Purlin Detail

'RUN-OFF' CLAMPING  
BAR @ PLASTIC &  
SPECIALTY GLAZINGS



Detail No.11

# Ridge Detail



Detail No.14