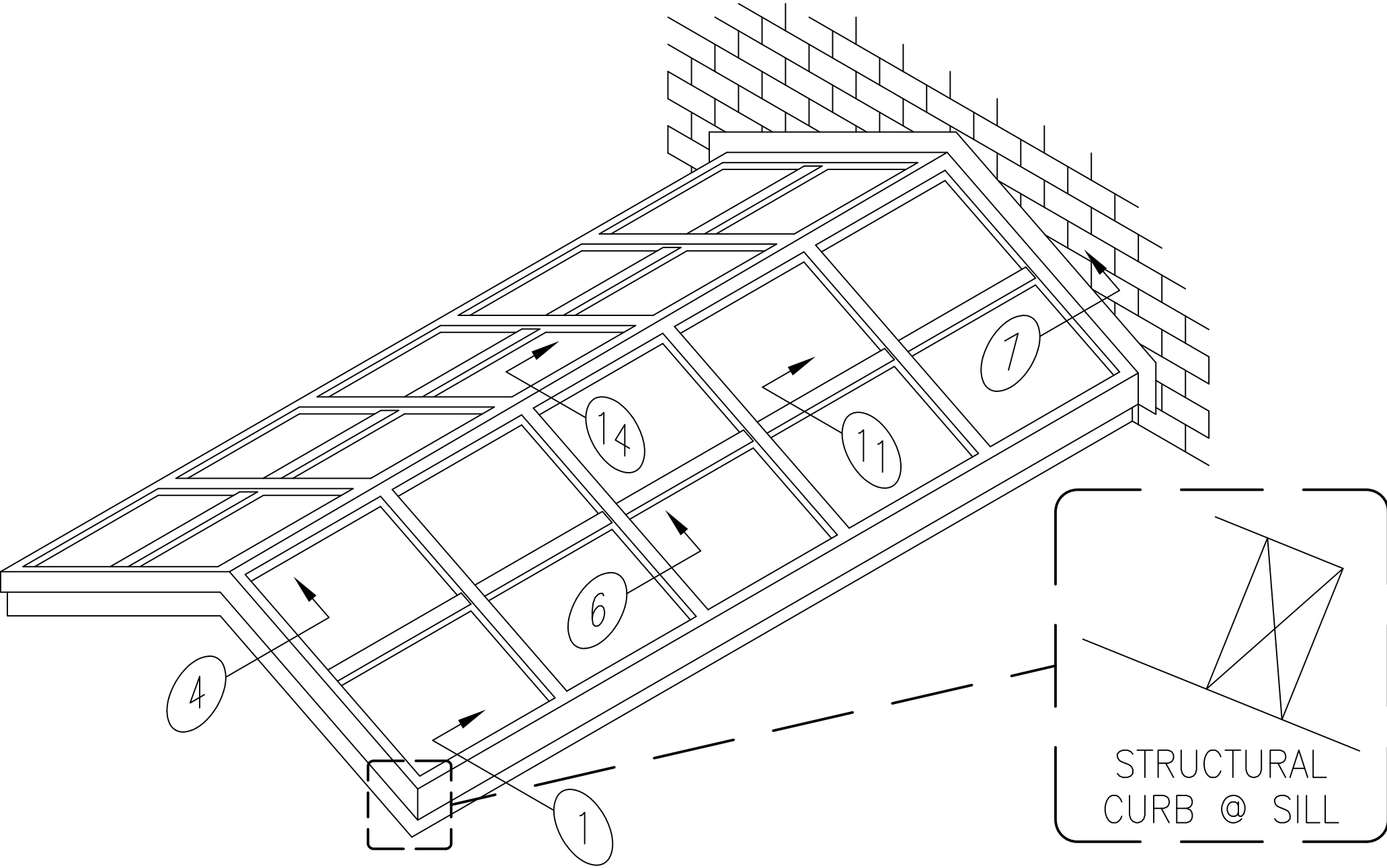
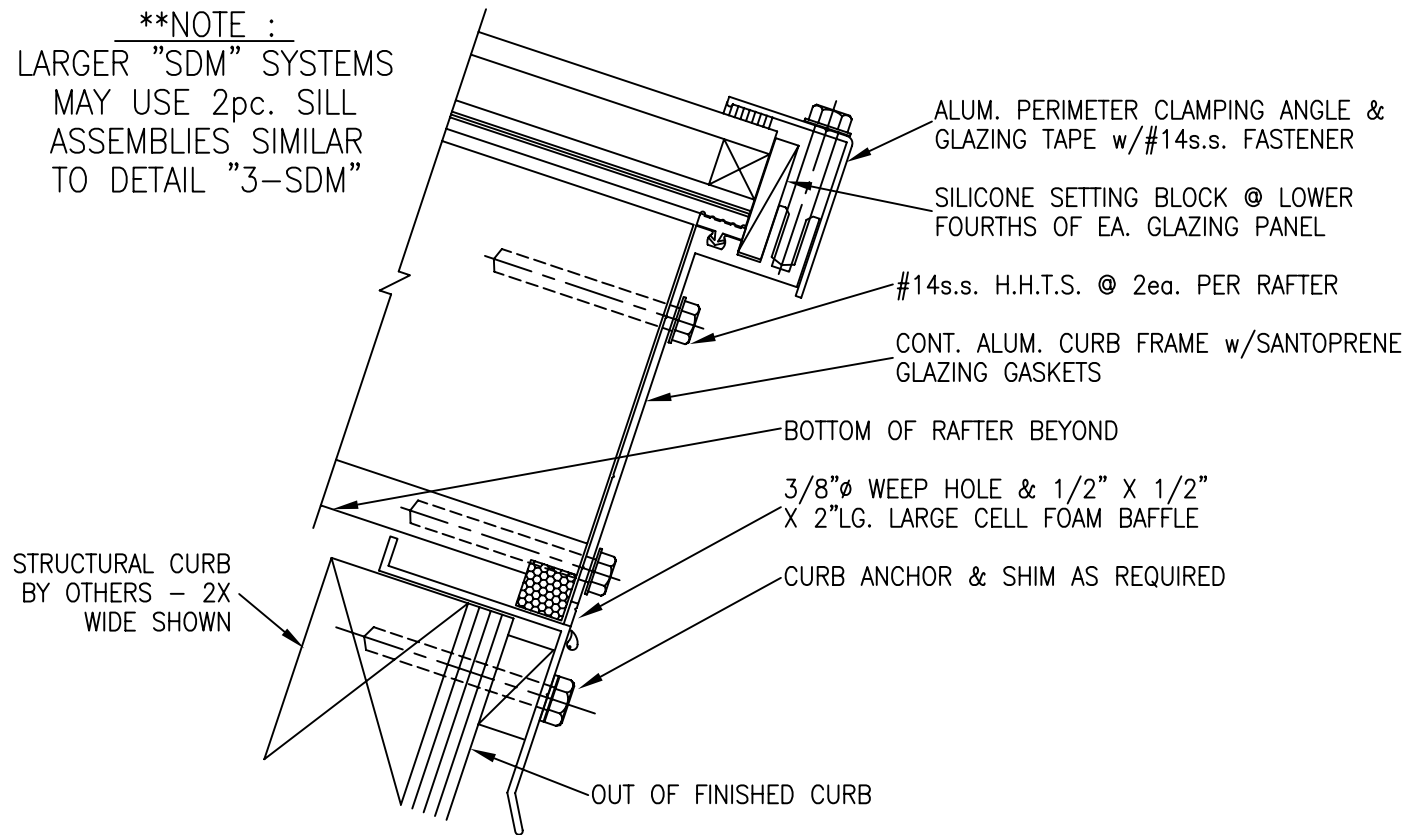


LARGER UNITS - Ridge (Square Curbs)



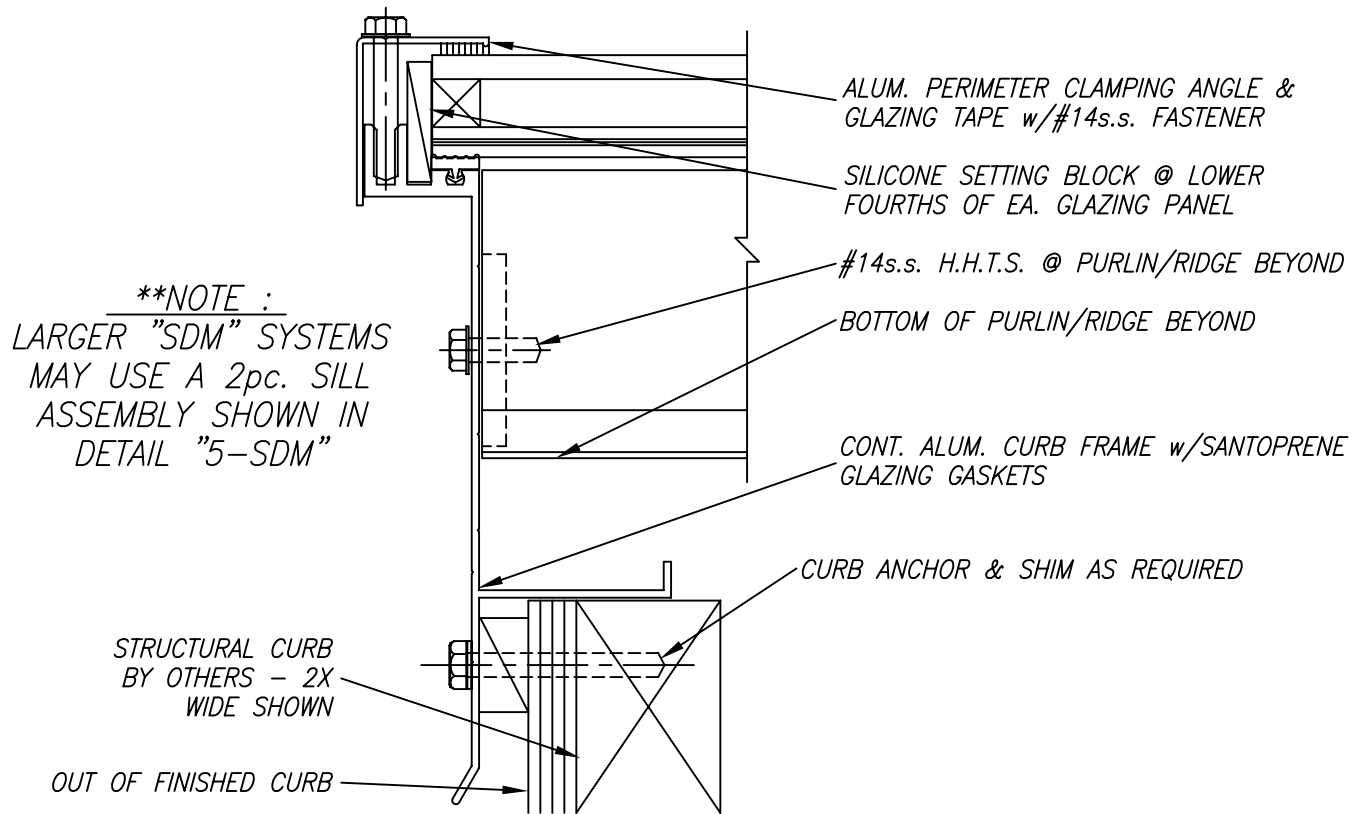
Curb/ Sill Detail

\*\*NOTE :  
LARGER "SDM" SYSTEMS  
MAY USE 2pc. SILL  
ASSEMBLIES SIMILAR  
TO DETAIL "3-SDM"



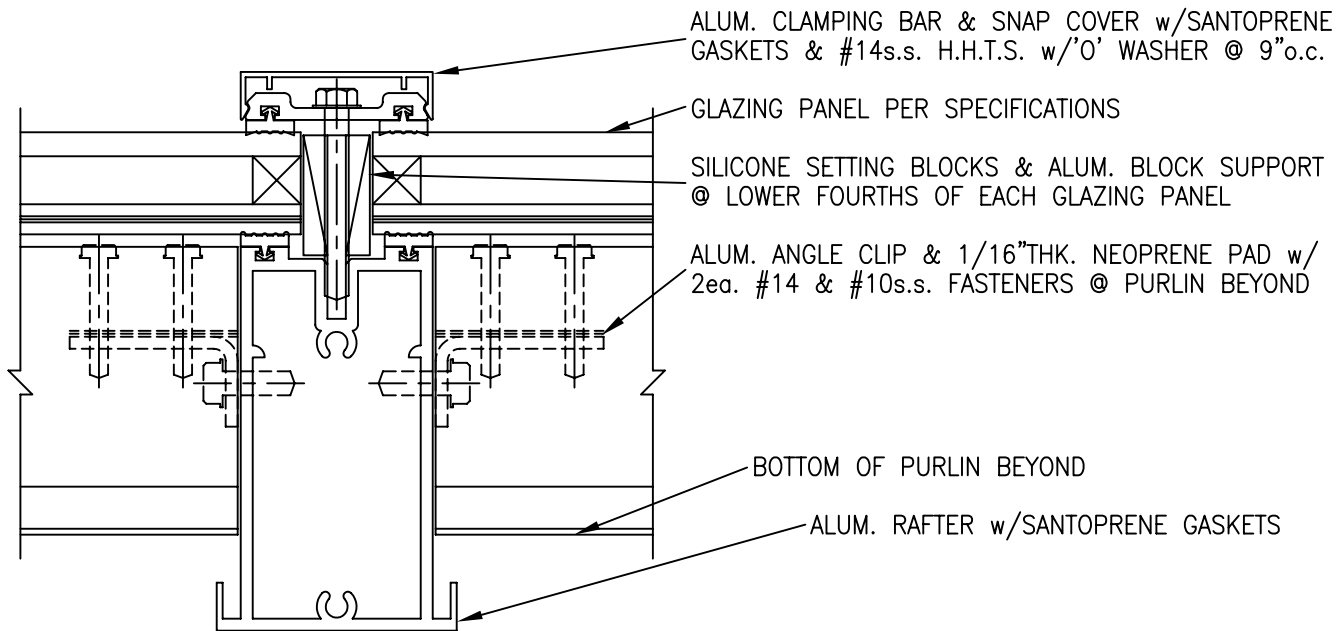
Detail No.1

### End Curb / End Sill Detail



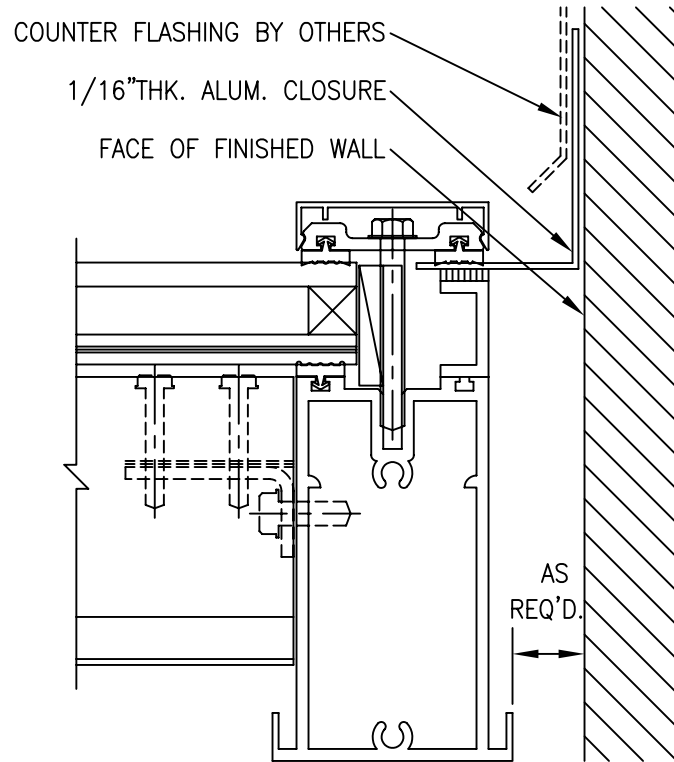
Detail No.4

### Rafter Detail



Detail No.6

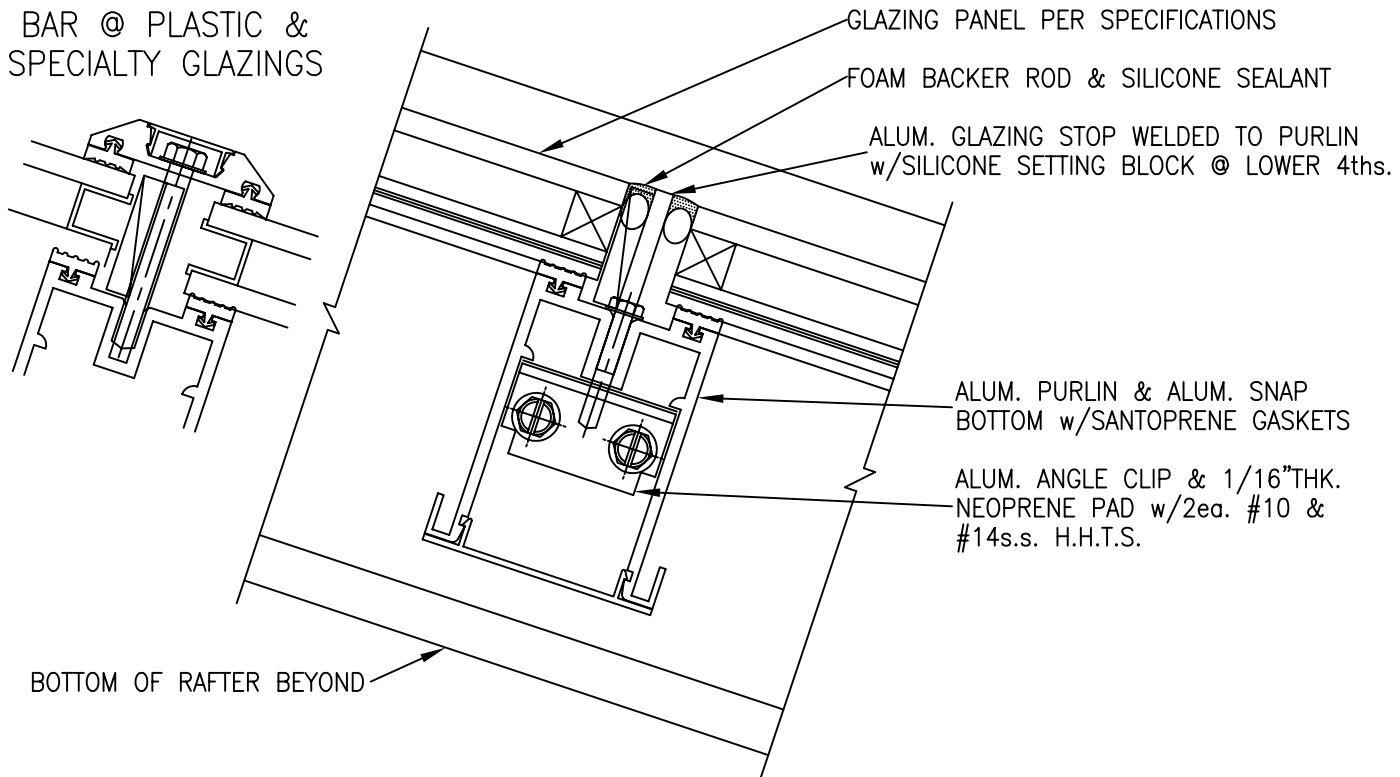
# Rafter at Wall Detail



Detail No.7

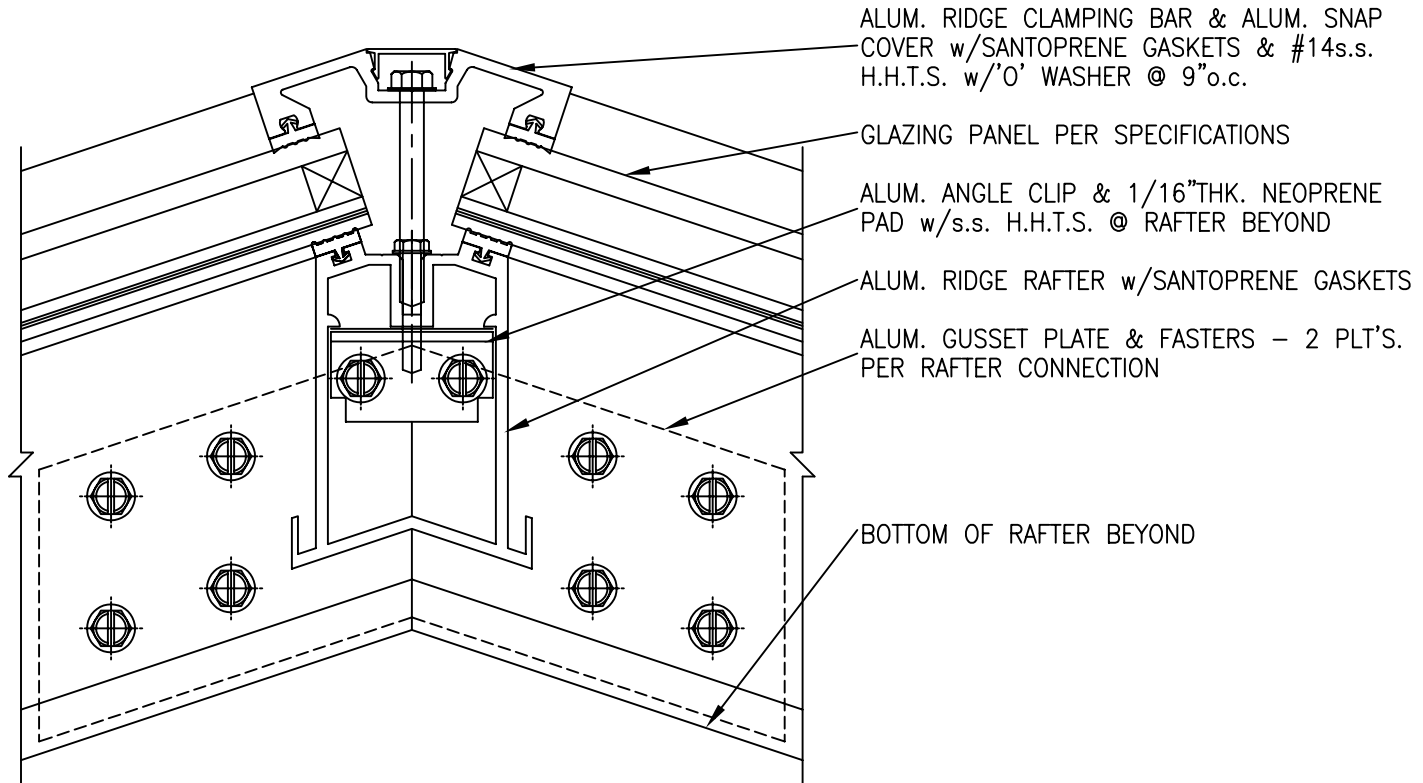
# Purlin Detail

'RUN-OFF' CLAMPING  
BAR @ PLASTIC &  
SPECIALTY GLAZINGS



Detail No.11

# Ridge Detail



Detail No.14