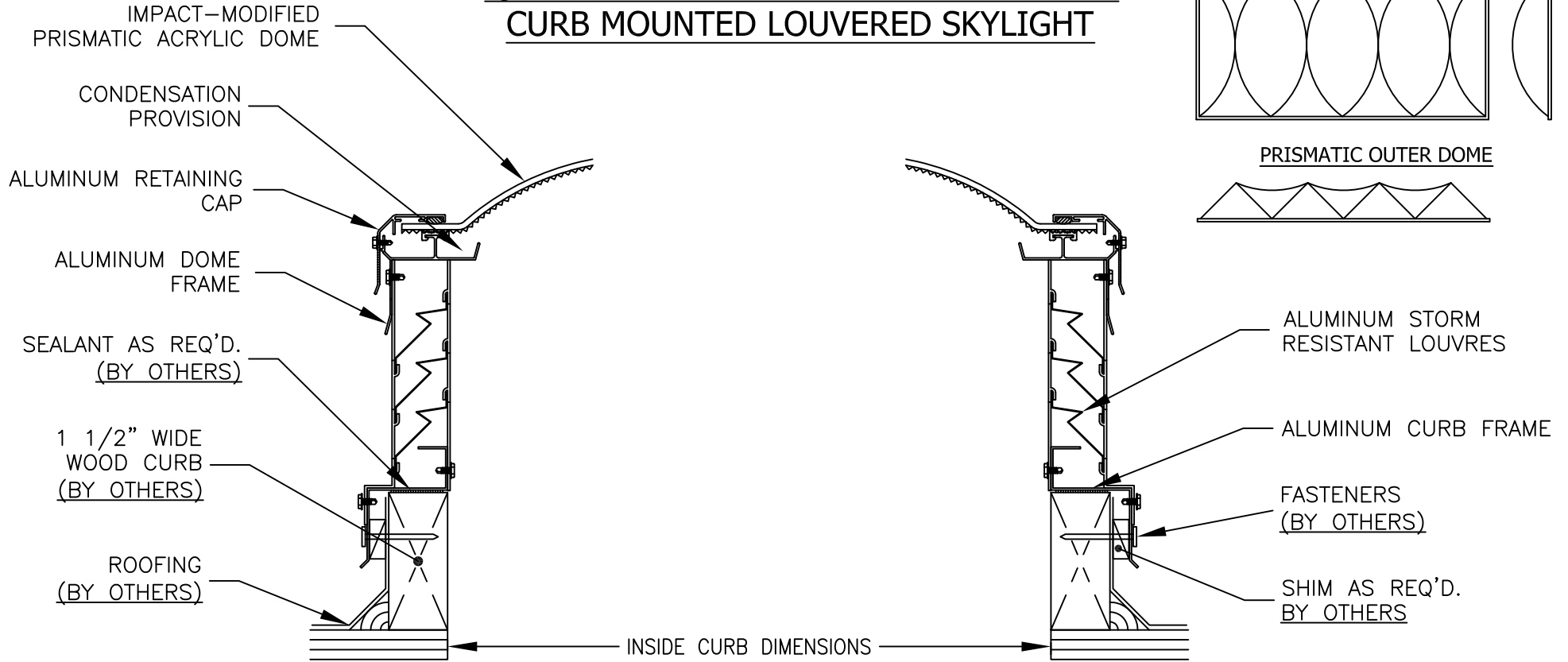


QUASAR PRISMATIC TRIARCH ALUMINUM CURB MOUNTED LOUVERED SKYLIGHT



MODEL: SL-CM-1-WPM-MF

NOT TO SCALE

SL - ALUMINUM FRAME LOUVERED
CM - CURB MOUNTED
1 - SINGLE GLAZED

PM - PRISMATIC, IMPACT MODIFIED ACRYLIC
MF - MILL FINISH

| MODEL NUMBER | INSIDE CURB DIMENSIONS | QTY | FRAME FINISH | PRISMATIC COLOR OUTER DOME |
|--------------|------------------------|-----|---|-----------------------------------|
| 4848-SL-CM | 48" x 48" | | MILL FINISH (MF) <input type="radio"/> WHITE PAINT (WP) <input type="radio"/> | WHITE (WPM) <input type="radio"/> |
| 4896-SL-CM | 48" x 96" | | BRONZE ANODIZED (BA) <input type="radio"/> OTHER: _____ <input type="radio"/> | |
| 6072-SL-CM | 60" x 72" | | | |

Bristolite® Daylighting Systems

401 East Goetz Avenue, Santa Ana, CA. 92707
TEL 714.540.8950 / FAX 714.540.5415

| | | |
|------------|------------------|------------|
| CUSTOMER : | PREPARED BY : | JOB NO : |
| PROJECT : | SUBMITTAL DATE : | SHEET NO.: |