

SkyQuick

Vertical End Ridge

Fixed Custom Skylight

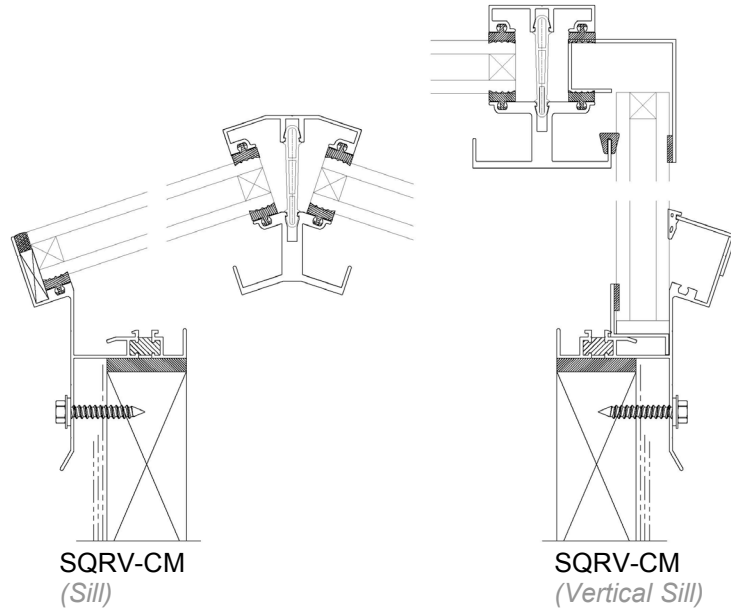


Vertical End Ridge

Model SQRV

Frame Material
Aluminum

Cut Section (N.T.S.)



Specifications

Model SQRV shall be manufactured by Bristolite Daylighting Systems, Terrell, TX. Skylight frame is fabricated of aluminum with a thermopolymer glazing clip to prevent thermal losses through the frame and the formation of condensation on its interior surfaces. Structural capacity of skylight system is 40 PSF positive and negative loads. Skylights shall be fully factory assembled consisting of glass (see below) that is sealed by interior and exterior gasketing. Bay spacing shall not exceed 4'-0", unless approved by Bristolite Daylighting Systems. Units with outside curb spans of 72" or less shall be factory glazed and shipped assembled in sections not to exceed 12'-0". (or 1,000 lbs.) Units over 72" up to 96" shall ship pre-assembled but not glazed. The base frame shall be installed on a roof curb required on four (4) sides and furnished by others.

Sizes:

Model Number	Outside Curb Dimension	Model Number	Outside Curb Dimension
SQRV	Up to 96"		

Features:

1. Curb Mounted (**CM**)
2. Thermally Broken Frame
Add highlighted suffixes to model number where applicable:
i.e. **60120-SQRV-CM-I-TG/LC-MF**

Glass Type:

- 1" Thick Overall
- (1/4" Heat Strengthened, 1/2" Air Space, 1/4" Laminated)
- 1-1/16" Thick Overall (**LOW-E**)
- (1/4" Heat Strengthened, 1/2" Air Space, 5/16" Laminated Low-E)

Options:

1. Frame Finish – Bronze Anodize (**BA**), Clear Anodize (**CA**), Mill Finish (**MF**) or 70% Kynar Paint (**KYN**)
2. Single Glazing (**1**)
3. Glass Color: Bronze (**TB**), Clear (**TC**), Green (**TGRN**) or Grey (**TG**)