

# Quasar Reach

## Drop Ceiling Skylight

Residential & Industrial  
Tubular Skylight

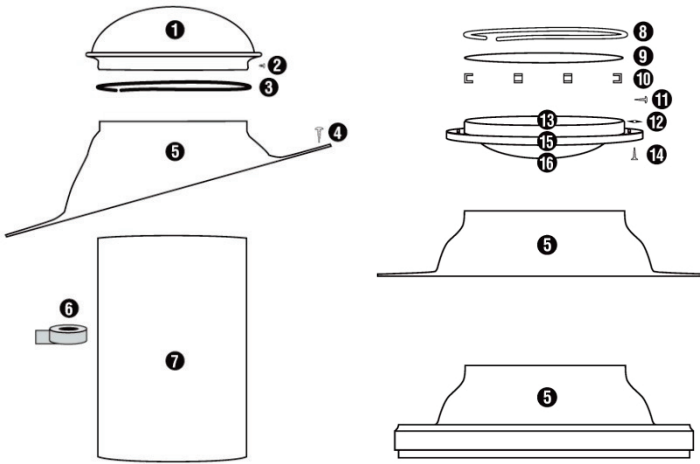


Drop Ceiling Skylight

Model DCS

Frame Material  
Aluminum

Details (Scale: 1":1'-4")



Specifications

Quasar Reach Drop Ceiling Skylight shall be model No. \_\_\_\_\_ as manufactured by Bristolite Daylighting Systems, Santa Ana, CA. Drop ceiling skylights shall be assembled on site and consist of a 100% high impact modified acrylic outer dome sealed by interior gaskets to a heavy-duty, seamless aluminum flashing. Seamless aluminum flashing design prevents leaking. Standard tube length of 48" is made up of two (2) 24" tube sections. The 12" and 24" reflective light pipes are internally coated with silver for maximum reflectance at all angles. The outer dome capping and flashing fasteners are to be corrosion resistant. The ceiling mounted light fixture comprises of a white powder coated aluminum fixing and a high impact acrylic prismatic diffuser. The drop ceiling skylight can be installed with flashing for pitched roofs, flat roofs or curb mounting.

Sizes:

Model Number	Tube Width	Coverage	Wattage	Maximum Tube Length	Model Number	Tube Width	Coverage	Wattage	Maximum Tube Length
DCS-10	10"	Up to 150 sf	Up to 300 watts	18'					
DCS-13	13"	Up to 300 sf	Up to 500 watts	20'					
DCS-18	18"	Up to 500 sf	Up to 1000 watts	20'					
DCS-21	21"	Up to 700 sf	Up to 1450 watts	20'					

Features:

1. Pitched Roof (**PR**), Flat Roof (**FR**) or Curb Mounted (**CM**)
2. Powder Coated White Aluminum Ceiling Fixture
3. High Impact Clear Prismatic Acrylic Diffuser (**CPM**)
4. Two (2) 24" Tube Sections, 48" Total Length  
Add highlighted suffixes to model number where applicable:  
i.e. **DCS-18-PR-CPM-BK**

Options:

1. Two Flashing Color Choices: Black (**BK**) Mill Finish (**MF**)
2. Electric Light Kit (**ELK**)
3. Dimmer Kit (**DK**)
4. Additional Light Pipe: 12" (**P1**) or 24" (**P**)
5. Angle Adapter (**AA**)
6. Adjustable (up to 45°) Elbow (**E**)
7. Soft Aluminum Skirt (**S**)
8. Turret Extension (**TE**)
9. Drop Ceiling Transition Box (**21TB**)
10. Warehouse Trim Ring (**WTR**)