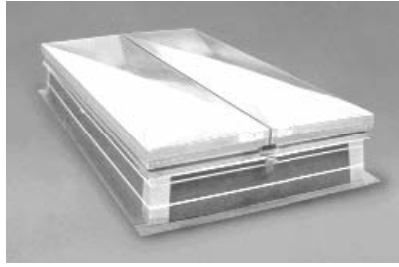


Smoke Vent

Industrial Smoke Vent and
(Optional) Security Grill



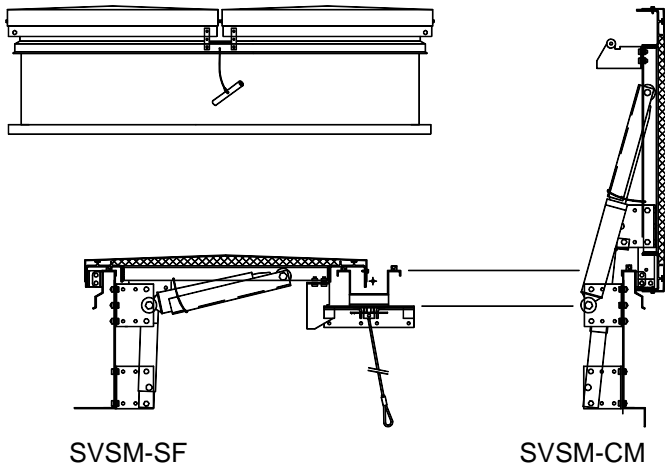
Metal Doors

Model SVSM

Frame Material
Steel



Details (Scale: 5/8":1'-0")



Specifications

Smoke Vents shall be model No. _____ as manufactured by Bristolite Daylighting Systems, Santa Ana, CA. Metal door shall have 1" UL Listed fiberglass insulation with a .030 aluminum (or optional steel) liner. Curb frames shall be 14 gauge paint bonded galvanized steel and shall be 13" high (12 inches to door hinge point) with a 4" pre-drilled fastening flange. Curb shall have an integral fully corner welded cap flashing. Exterior insulation (when specified) shall be 1" rigid fiberboard. Double leaf doors are compression loaded by a torsion spring and secured on the opposite side with latches operated either manually, or by FM approved / UL listed fusible links and shall open and lock in a 90 degree open position. Door shall open against a 10psf, 20psf or 30psf uniform load and shall withstand a uniform 10psf load in the open and locked position. Doors shall be spring-actuated and equipped with heavy-duty shock absorbers to control speed of operation. Unit shall withstand a 40psf uniform static load in the closed position, and a 30psf uplift load. Both exterior and interior manual releases that do not affect the fusible link shall also be provided and shall automatically be reset by closing the vent doors. All hardware shall be plated for corrosion resistance.

Sizes:

Model Number	Inside Curb Dimension	Model Number	Inside Curb Dimension	Model Number	Inside Curb Dimension	Model Number	Inside Curb Dimension
4848-SVSM	48" x 48"			4872-SVSM	48" x 72"		
6060-SVSM	60" x 60"			4896-SVSM	48" x 96"		
				6072-SVSM	60" x 72"		
				6096-SVSM	60" x 96"		

Features:

1. Curb Mounted (CM) or Self Flashing (SF)
2. Exterior and/or Interior Manual Releases (M1, M2 or M3)
3. Fusible Link Temperatures: 165°, 212°, 286°, 360° or 520°
Add highlighted suffixes to model number where applicable:
i.e. 6072-SVSM-SF-INSG

Options:

1. Insulated Frame (INS)
2. Insulated Frame and Gutter (INSG)
3. 10psf, 20psf, or 30psf Opening Capability

Accessories: See PDS (Product Data Sheets) for these Items

1. Gladiator
 - a. Structural Curb (SC)
 - b. Security Grills (SG)
 - c. Safety Screens (SSCRN)
2. Quickkit (Installation Kits)
 - a. Stainless Steel (QKSS)
 - b. Zinc Plated (QKZP)