

Tufflite C/I

Solar Heat Blocker

Polycarbonate

Heavy Weather / High Security

Industrial Skylight
Thermally Broken

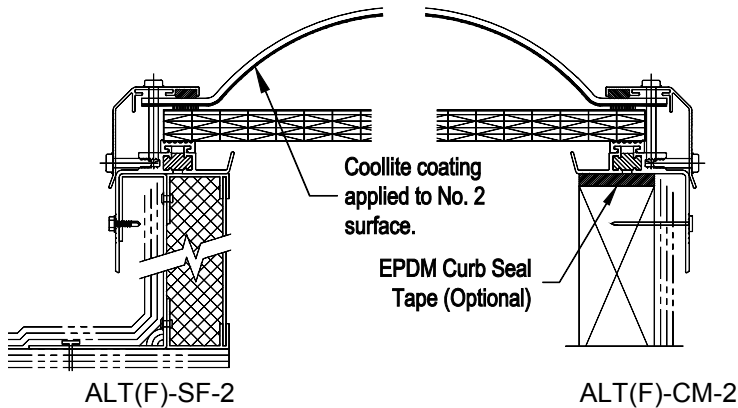


Polycarbonate Triarch

Model ALT(F)

Frame Material: Aluminum
NFRC: Certified
IECC 2015: Meets without controls all climate zones
OSHA: Meets CFR fall regulations
FM Global: Passes 4431 2" severe hail test
AAMA: WDMA/CSA 101/I.S.2/A440-08 & WDMA/CSA 101/I.S.2/A440-05

Details:



Specifications:

Tufflite C/I skylight shall be model No. _____ as manufactured by Bristolite Daylighting Systems, Santa Ana, CA. Skylights shall be fully factory assembled consisting of a polycarbonate dome coated with an infra-red and ultraviolet blocking technology with a CC-1 classification that is sealed by interior and exterior gaskets to a 6063-T5 heliarc welded aluminum frame fabricated of aluminum and polyurethane thermal break material to prevent thermal losses through the frame and the formation of condensation on its interior surfaces plus a structural multiwall polycarbonate panel. The frame is to have an integral condensation channel. The aluminum retaining cap is fixed both horizontally and vertically (staggered) with #10 corrosive resistant fasteners at 6" maximum spacing. The skylight frame shall be installed either on a 1-1/2" wide curb furnished by others or on its own 4", 9", or 12" high self flashing curb fabricated from aluminum with a 2-3/4" roof nailing flange with 1" of insulation in a PVC frame and an aluminum liner on the interior of the self flashing curb.

Sizes:

Model Number	Inside Curb Dimension	Model Number	Inside Curb Dimension	Model Number	Inside Curb Dimension	Model Number	Inside Curb Dimension
1414-ALT(F)	14 1/4" x 14 1/4"	6060-ALT(F)	60" x 60"	2448-ALT(F)	24" x 48"	3775-ALT(F)	37" x 75"
1919-ALT(F)	19" x 19"			2496-ALT(F)	24" x 96"	3859-ALT(F)	38" x 59"
2222-ALT(F)	22 1/4" x 22 1/4"	1422-ALT(F)	14 1/4" x 22 1/4"	3037-ALT(F)	30 1/4" x 37"	4669-ALT(F)	46 1/4" x 69 1/2"
3030-ALT(F)	30 1/4" x 30 1/4"	1446-ALT(F)	14 1/4" x 46 1/4"	3046-ALT(F)	30 1/4" x 46 1/4"	4689-ALT(F)	46 1/4" x 89 1/2"
3737-ALT(F)	37" x 37"	2230-ALT(F)	22 1/4" x 30 1/4"	3069-ALT(F)	30 1/4" x 69 1/2"	4884-ALT(F)	48" x 84"
4242-ALT(F)	42" x 42"	2237-ALT(F)	22 1/4" x 37"	3096-ALT(F)	30 1/4" x 96"	4896-ALT(F)	48" x 96"
4646-ALT(F)	46 1/4" x 46 1/4"	2246-ALT(F)	22 1/4" x 46 1/4"	3496-ALT(F)	34" x 96"	5460-ALT(F)	54" x 60"
4848-ALT(F)	48" x 48"	2272-ALT(F)	22 1/4" x 72"	3696-ALT(F)	36" x 96"	6072-ALT(F)	60" x 72"
5555-ALT(F)	55" x 55"	2296-ALT(F)	22 1/4" x 96"	3746-ALT(F)	37" x 46 1/4"		Call for additional sizes

Solar Heat Gain Coefficient = .22, U Factor = .44, Visible Light Transmission = 50% (Typical for PCO double glazed units)

Features:

1. Curb Mounted (CM) or Self Flashing (SF)
2. Clear Polycarbonate Dome with Infra-Red & Ultraviolet Blocking Technology (PCO)
3. Insulated Curb (self flashing models only)
4. Double Wall Frame (self flashing models only)
5. Two Inner Multiwall Panel Colors: Clear (C) or Opal (O)
6. 16mm Inner Multiwall Panel (16MM10)
Add highlighted suffixes to model number where applicable:
i.e. 4848-ALT(F)-CM-2-PCO-C16MM10-MF

Options:

1. Insulating Double Domes (2)
2. Frame Finish - Bronze Anodize (BA), Clear Anodize (CA), White Painted (WP) or Mill Finish (MF)

Options: (cont.)

3. Self Flashing Bases of 9" or 12" (9 or 12)
4. EPDM Curb Seal Tape (CMT)

Accessories: See PDS (Product Data Sheets) for these Items

1. Gladiator
 - a. Structural Curb (SC)
 - b. Security Grills (SG)
 - c. Safety Screens (SSCRN)
 - d. External Safety Cages (SCAGE)
2. Quickkit (Installation Kits)
 - a. Stainless Steel (QKSS)
 - b. Zinc Plated (QKZP)