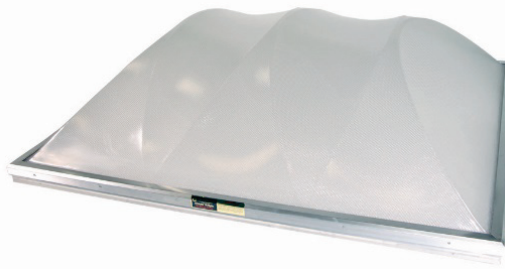


Tufflite I

Polycarbonate

Heavy Weather / High Security

Industrial Skylight
Thermally Broken

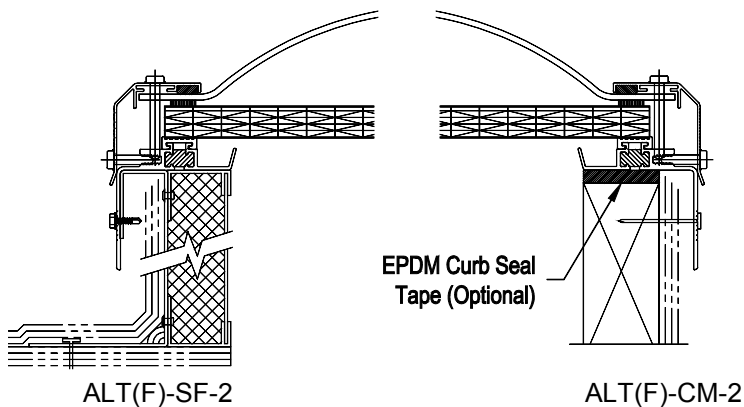


Polycarbonate Triarch

Model ALT(F)

Frame Material: Aluminum
NFRC: Certified
IECC 2015: Meets without controls all climate zones
OSHA: Meets CFR fall regulations
FM Global: Passes 4431 2" severe hail test
AAMA: WDMA/CSA 101/I.S.2/A440-08 & WDMA/CSA 101/I.S.2/A440-05

Details:



Specifications:

Tufflite I skylight shall be model No. _____ as manufactured by Bristolite Daylighting Systems, Santa Ana, CA. Skylights shall be fully factory assembled consisting of a polycarbonate dome with a CC-1 classification that is sealed by interior and exterior gaskets to a 6063-T5 heliarc welded aluminum frame fabricated of aluminum and polyurethane thermal break material to prevent thermal losses through the frame and the formation of condensation on its interior surfaces plus a structural multiwall polycarbonate panel. The frame is to have an integral condensation channel. The aluminum retaining cap is fixed both horizontally and vertically (staggered) with #10 corrosive resistant fasteners at 6" maximum spacing. The skylight frame shall be installed either on a 1-1/2" wide curb furnished by others or on its own 4", 9", or 12" high self flashing curb fabricated from aluminum with a 2-3/4" roof nailing flange with 1" of insulation in a PVC frame and an aluminum liner on the interior of the self flashing curb.

Sizes:

Model Number	Inside Curb Dimension	Model Number	Inside Curb Dimension	Model Number	Inside Curb Dimension	Model Number	Inside Curb Dimension
1414-ALT(F)	14 1/4" x 14 1/4"	6060-ALT(F)	60" x 60"	2448-ALT(F)	24" x 48"	3775-ALT(F)	37" x 75"
1919-ALT(F)	19" x 19"			2496-ALT(F)	24" x 96"	3859-ALT(F)	38" x 59"
2222-ALT(F)	22 1/4" x 22 1/4"	1422-ALT(F)	14 1/4" x 22 1/4"	3037-ALT(F)	30 1/4" x 37"	4669-ALT(F)	46 1/4" x 69 1/2"
3030-ALT(F)	30 1/4" x 30 1/4"	1446-ALT(F)	14 1/4" x 46 1/4"	3046-ALT(F)	30 1/4" x 46 1/4"	4689-ALT(F)	46 1/4" x 89 1/2"
3737-ALT(F)	37" x 37"	2230-ALT(F)	22 1/4" x 30 1/4"	3069-ALT(F)	30 1/4" x 69 1/2"	4884-ALT(F)	48" x 84"
4242-ALT(F)	42" x 42"	2237-ALT(F)	22 1/4" x 37"	3096-ALT(F)	30 1/4" x 96"	4896-ALT(F)	48" x 96"
4646-ALT(F)	46 1/4" x 46 1/4"	2246-ALT(F)	22 1/4" x 46 1/4"	3496-ALT(F)	34" x 96"	5460-ALT(F)	54" x 60"
4848-ALT(F)	48" x 48"	2272-ALT(F)	22 1/4" x 72"	3696-ALT(F)	36" x 96"	6072-ALT(F)	60" x 72"
5555-ALT(F)	55" x 55"	2296-ALT(F)	22 1/4" x 96"	3746-ALT(F)	37" x 46 1/4"	Call for additional sizes	

Solar Heat Gain Coefficient = .20, U Factor = .44, Visible Light Transmission = 58% (Typical for double glazed units)

Features:

1. Curb Mounted (**CM**) or Self Flashing (**SF**)
2. Three Polycarbonate Colors: Medium White Translucent (**WPC**), Bronze (**BPC**) or Clear (**CPC**)
3. Insulated Curb (self flashing models only)
4. Double Wall Curb (self flashing models only)
5. Two Inner Multiwall Panel Colors: Clear (**C**) or Opal (**O**)
6. 16mm Inner Multiwall Panel (**16MM10**)
Add highlighted suffixes to model number where applicable:
i.e. **4896-ALT(F)-CMT-2-WPC-C16MM10-WP**

Options:

1. Insulating Double Domes (**2**)
2. Frame Finish - Bronze Anodize (**BA**), Clear Anodize (**CA**), White Painted (**WP**) or Mill Finish (**MF**)

Options: (cont.)

3. Self Flashing Bases of 9" or 12" (**9** or **12**)
4. EPDM Curb Seal Tape (**CMT**)

Accessories: See PDS (Product Data Sheets) for these Items

1. Gladiator
 - a. Structural Curb (**SC**)
 - b. Security Grills (**SG**)
 - c. Safety Screens (**SSCRN**)
 - d. External Safety Cages (**SCAGE**)
2. Quickkit (Installation Kits)
 - a. Stainless Steel (**QKSS**)
 - b. Zinc Plated (**QKZP**)