

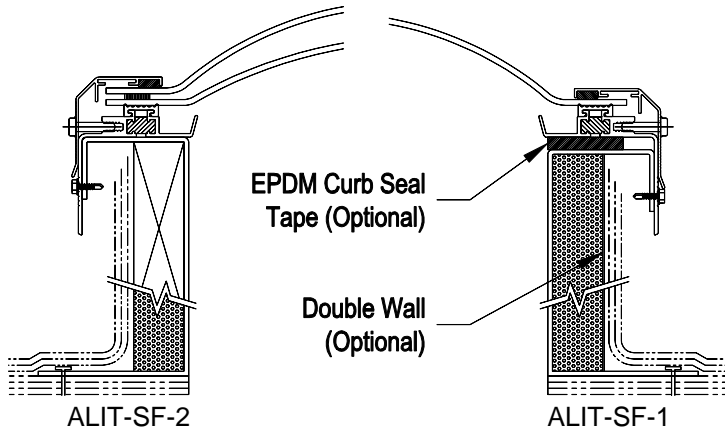
Industrial Skylight
 Thermally Broken

Model ALIT

Frame Material: Aluminum
NFRC: Certified
IECC 2015: Meets without controls climate zone 1, meets with controls climate zones 2-8
OSHA: Meets CFR fall regulations
FM Global: Passes 4431 2" severe hail test
AAMA: WDMA/CSA 101/I.S.2/A440-08 & WDMA/CSA 101/I.S.2/A440-05

Polycarbonate Dome

Details:



Specifications

Tufflite skylight shall be model No. _____ as manufactured by Bristolite Daylighting Systems, Santa Ana, CA. The skylight shall be fully factory assembled consisting of a polycarbonate dome with a CC-1 classification that is sealed by interior and exterior gaskets to a 6063-T5 heliarc welded aluminum frame fabricated of aluminum and polyurethane thermal break material to prevent thermal losses through the frame and the formation of condensation on its interior surfaces. The frame is to have an integral condensation channel to carry moisture to the exterior. The aluminum retaining cap fasteners are to be corrosive resistant. The skylight frame shall be installed on its own 9" or 12" high self flashing curb fabricated from aluminum with a 2-3/4" roof nailing flange. The base is made up with 1" insulation and a wood nailer and/or an additional aluminum liner on the exterior of the self flashing curb.

Sizes:

| Model Number | Inside Curb Dimension | Model Number | Inside Curb Dimension | Model Number | Inside Curb Dimension | Model Number | Inside Curb Dimension |
|--------------|-----------------------|--------------|-----------------------|--------------|-----------------------|--------------|---------------------------|
| 1414-ALIT | 14 1/4" x 14 1/4" | 6060-ALIT | 60" x 60" | 2272-ALIT | 22 1/4" x 72" | 3746-ALIT | 37" x 46 1/4" |
| 1919-ALIT | 19" x 19" | 7070-ALIT | 70 1/4" x 70 1/4" | 2296-ALIT | 22 1/4" x 96" | 3775-ALIT | 37" x 75" |
| 2222-ALIT | 22 1/4" x 22 1/4" | 7575-ALIT | 75" x 75" | 2448-ALIT | 24" x 48" | 3859-ALIT | 38" x 59" |
| 3030-ALIT | 30 1/4" x 30 1/4" | 8484-ALIT | 84" x 84" | 2496-ALIT | 24" x 96" | 4669-ALIT | 46 1/4" x 69 1/2" |
| 3737-ALIT | 37" x 37" | 9292-ALIT | 92 1/2" x 92 1/2" | 3037-ALIT | 30 1/4" x 37" | 4689-ALIT | 46 1/4" x 89 1/2" |
| 4242-ALIT | 42" x 42" | | | 3046-ALIT | 30 1/4" x 46 1/4" | 4896-ALIT | 48" x 96" |
| 4646-ALIT | 46 1/4" x 46 1/4" | 2230-ALIT | 22 1/4" x 30 1/4" | 3069-ALIT | 30 1/4" x 69 1/2" | 5460-ALIT | 54" x 60" |
| 4848-ALIT | 48" x 48" | 2237-ALIT | 22 1/4" x 37" | 3096-ALIT | 30 1/4" x 96" | 6096-ALIT | 60" x 96" |
| 5555-ALIT | 55" x 55" | 2246-ALIT | 22 1/4" x 46 1/4" | 3496-ALIT | 34" x 96" | | Call for additional sizes |

Solar Heat Gain Coefficient = .26, U Factor = .71, Visible Light Transmission = 60% (Typical for CPC/WPC double glazed units)

Features:

1. Self Flashing (SF)
2. Three Polycarbonate Colors: Medium White Translucent (WPC), Bronze (BPC) or Clear (CPC)
3. Insulated Curb (INS)
4. Wood Nailer (WN)

Add highlighted suffixes to model number where applicable:
 i.e. 4896-ALIT-SF-2-CPC-WPC-INS-WN-CA

Options:

1. Insulating Double Domes (2) or Single Dome (1)
2. Pyramid (P) or Double Hip (DH) Shaped Dome (selected sizes)
3. Low Profile Dome (selected sizes) (LP)
4. Frame Finish - Bronze Anodize (BA), Clear Anodize (CA), White Painted (WP) or Mill Finish (MF)

Options: (cont.)

5. Self Flashing Bases of 9" or 12" (9 or 12)
6. Aluminum Double Wall (DW)
7. EDPM Curb Seal Tape

Accessories: See PDS (Product Data Sheets) for these Items

1. Gladiator
 - a. Security Grills (SG)
 - b. Safety Screens (SSCRN)
 - c. External Safety Cages (SCAGE)