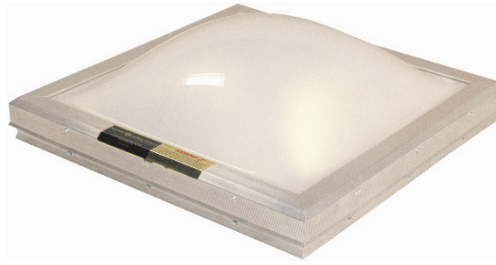


Coollite I

Solar Heat Blocker Acrylic

Industrial Skylight
Thermally Broken

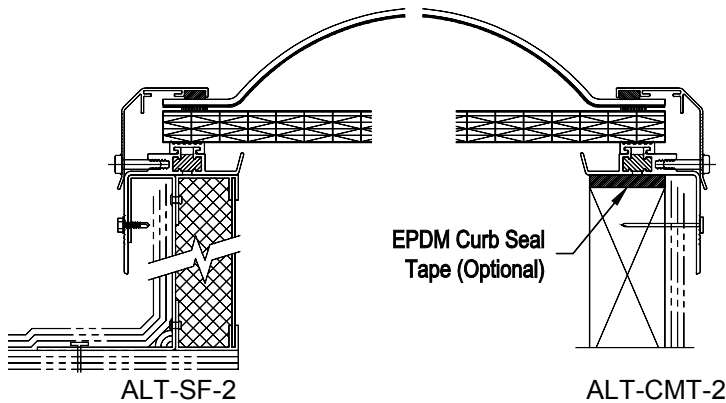


Acrylic Dome

Model ALT

Frame Material: Aluminum
NFRC: Certified
IECC 2015: Meets without controls all climate zones
OSHA: Meets CFR fall regulations
AAMA: WDMA/CSA 101/I.S.2/A440-08 & WDMA/CSA 101/I.S.2/A440-05

Details:



Specifications:

Coollite I skylight shall be model No. _____ as manufactured by Bristolite Daylighting Systems, Santa Ana, CA. Skylights shall be fully factory assembled consisting of an acrylic dome coated with an infra-red and ultraviolet blocking technology that is sealed by interior and exterior gaskets to a 6063-T5 heliarc welded frame fabricated of aluminum and polyurethane thermal break material to prevent thermal losses through the frame and the formation of condensation on its interior surfaces plus a structural multiwall polycarbonate glazing panel. The frame is to have an integral condensation channel to carry moisture to the exterior. The aluminum retaining cap fasteners are to be corrosive resistant. The skylight frame shall be installed either on a 1-1/2" wide curb furnished by others or on its own 4", 9" or 12" high insulated double wall self flashing curb fabricated from aluminum with a 2-3/4" roof nailing flange with 1" of insulation in a PVC frame and an aluminum liner on the interior of the self flashing curb. Materials are Approved Plastic CC-2 Rated.

Sizes:

Model Number	Inside Curb Dimension	Model Number	Inside Curb Dimension	Model Number	Inside Curb Dimension	Model Number	Inside Curb Dimension
1414-ALT	14 1/4" x 14 1/4"	6060-ALT	60" x 60"	2272-ALT	22 1/4" x 72"	3746-ALT	37" x 46 1/4"
1919-ALT	19" x 19"	7070-ALT	70 1/4" x 70 1/4"	2296-ALT	22 1/4" x 96"	3775-ALT	37" x 75"
2222-ALT	22 1/4" x 22 1/4"	7575-ALT	75" x 75"	2448-ALT	24" x 48"	3859-ALT	38" x 59"
3030-ALT	30 1/4" x 30 1/4"			2496-ALT	24" x 96"	4669-ALT	46 1/4" x 69 1/2"
3737-ALT	37" x 37"	1422-ALT	14 1/4" x 22 1/4"	3037-ALT	30 1/4" x 37"	4689-ALT	46 1/4" x 89 1/2"
4242-ALT	42" x 42"	1446-ALT	14 1/4" x 46 1/4"	3046-ALT	30 1/4" x 46 1/4"	4896-ALT	48" x 96"
4646-ALT	46 1/4" x 46 1/4"	2230-ALT	22 1/4" x 30 1/4"	3069-ALT	30 1/4" x 69 1/2"	5460-ALT	54" x 60"
4848-ALT	48" x 48"	2237-ALT	22 1/4" x 37"	3096-ALT	30 1/4" x 96"	6072-ALT	60" x 72"
5555-ALT	55" x 55"	2246-ALT	22 1/4" x 46 1/4"	3496-ALT	34" x 96"		Call for additional sizes

Solar Heat Gain Coefficient = .20, U Factor = .45, Visible Light Transmission = 50% (Typical for ACO double glazed units)

Features:

1. Curb Mounted (**CM**) or Self Flashing (**SF**)
 2. Acrylic Coollite Color (**ACO**)
 3. Insulated Curb (self flashing models only)
 4. Double Wall Frame (self flashing models only)
 5. Two Inner Multiwall Panel Colors: Clear (**C**) or Opal (**O**)
 6. 16mm Inner Multiwall Panel (**16MM10**)
- Add highlighted suffixes to model number where applicable: i.e.
4848-ALT-CM-2-ACO-C16MM10-MF

Options:

1. Insulating Double Domes (**2**)
2. Low Profile Dome (**LP**) (selected sizes)
3. Frame Finish - Bronze Anodize (**BA**), Clear Anodize (**CA**), White Painted (**WP**) or Mill Finish (**MF**)

Options: (cont.)

4. Self Flashing Bases of 9" or 12" (**9** or **12**)
5. EPDM Curb Seal Tape (**CMT**)

Accessories: See PDS (Product Data Sheets) for these Items

1. Gladiator
 - a. Structural Curb (**SC**)
 - b. Security Grills (**SG**)
 - c. Safety Screens (**SSCRN**)
 - d. External Safety Cages (**SCAGE**)
2. Quickkit (Installation Kits)
 - a. Stainless Steel (**QKSS**)
 - b. Zinc Plated (**QKZP**)