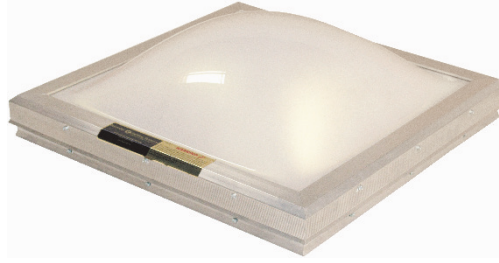


Coollite I

Solar Heat Blocker Acrylic

Industrial Skylight

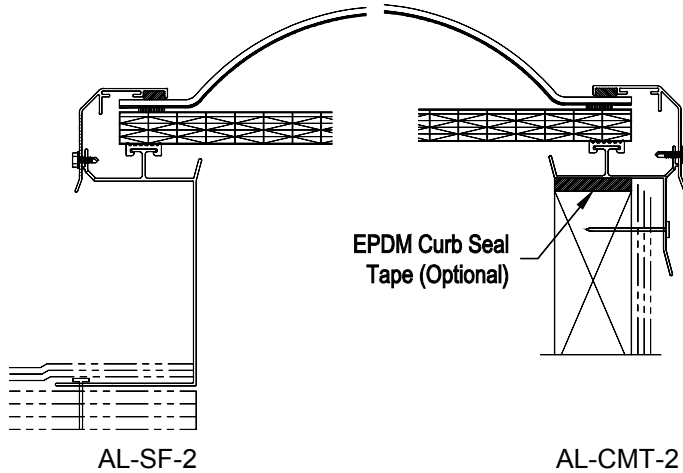


Acrylic Dome

Model AL

Frame Material: Aluminum
NFRC: Certified
IECC 2015: Meets without controls all climate zones
OSHA: Meets CFR fall regulations
AAMA: WDMA/CSA 101/I.S.2/A440-08 & WDMA/CSA 101/I.S.2/A440-05

Details:



Specifications:

Coollite I skylight shall be model No. _____ as manufactured by Bristolite Daylighting Systems, Santa Ana, CA. Skylights shall be fully factory assembled consisting of an acrylic dome coated with an infra-red and ultraviolet blocking technology that is sealed by interior and exterior gaskets to a 6063-T5 heliarc welded aluminum frame plus a structural multiwall polycarbonate glazing panel. The frame is to have an integral condensation channel to carry moisture to the exterior. The aluminum retaining cap fasteners are to be corrosive resistant. The skylight frame shall be installed either on a 1-1/2" wide curb furnished by others or on its own 4", 9", or 12" high self flashing curb fabricated from aluminum with a 2-3/4" roof nailing flange. Materials are Approved Plastic CC-2 Rated.

Sizes:

Model Number	Inside Curb Dimension	Model Number	Inside Curb Dimension	Model Number	Inside Curb Dimension	Model Number	Inside Curb Dimension
1414-AL	14 1/4" x 14 1/4"	6060-AL	60" x 60"	2272-AL	22 1/4" x 72"	3746-AL	37" x 46 1/4"
1919-AL	19" x 19"	7070-AL	70 1/4" x 70 1/4"	2296-AL	22 1/4" x 96"	3775-AL	37" x 75"
2222-AL	22 1/4" x 22 1/4"	7575-AL	75" x 75"	2448-AL	24" x 48"	3859-AL	38" x 59"
3030-AL	30 1/4" x 30 1/4"			2496-AL	24" x 96"	4669-AL	46 1/4" x 69 1/2"
3737-AL	37" x 37"	1422-AL	14 1/4" x 22 1/4"	3037-AL	30 1/4" x 37"	4689-AL	46 1/4" x 89 1/2"
4242-AL	42" x 42"	1446-AL	14 1/4" x 46 1/4"	3046-AL	30 1/4" x 46 1/4"	4896-AL	48" x 96"
4646-AL	46 1/4" x 46 1/4"	2230-AL	22 1/4" x 30 1/4"	3069-AL	30 1/4" x 69 1/2"	5460-AL	54" x 60"
4848-AL	48" x 48"	2237-AL	22 1/4" x 37"	3096-AL	30 1/4" x 96"	6072-AL	60" x 72"
5555-AL	55" x 55"	2246-AL	22 1/4" x 46 1/4"	3496-AL	34" x 96"		Call for additional sizes

Solar Heat Gain Coefficient = .20, U Factor = .45, Visible Light Transmission = 50% (Typical for ACO double glazed units)

Features:

- Curb Mounted (**CM**) or Self Flashing (**SF**)
- Acrylic Coollite Color (**ACO**)
- Two Inner Multiwall Panel Colors: Clear (**C**) or Opal (**O**)
- 16mm Inner Multiwall Panel (**16MM10**)
Add highlighted suffixes to model number where applicable: i.e. **4848-AL-CM-2-ACO-C16MM10-MF**

Options:

- Insulating Double Domes (**2**)
- Low Profile Dome (**LP**) (selected sizes)
- Frame Finish - Bronze Anodize (**BA**), Clear Anodize (**CA**), White Painted (**WP**) or Mill Finish (**MF**)
- Self Flashing Bases of 9" or 12" (**9** or **12**)
- EPDM Curb Seal Tape (**CMT**)

Accessories: See PDS (Product Data Sheets) for these Items

- Gladiator
 - Structural Curbs (**SC**)
 - Security Grills (**SG**)
 - Safety Screens (**SSCRN**)
 - External Safety Cages (**SCAGE**)
- Quickkit (Installation Kits)
 - Stainless Steel (**QKSS**)
 - Zinc Plated (**QKZP**)