

Coolite

Solar Heat Blocker Acrylic

Residential Skylight
Thermally Broken



Acrylic/Polycarbonate Dome



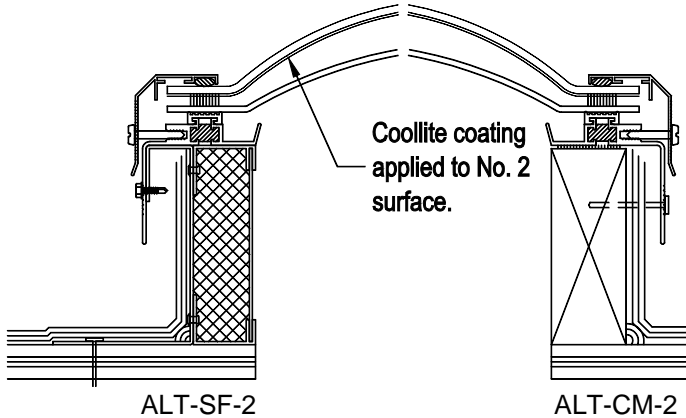
Inside View

Model ALT

Frame Material
Aluminum

Meets the International Energy Conservation Code (IECC) and US National Energy Code

Details (Scale: 3":1'-0")



Specifications

Coolite Skylight shall be model No. _____ as manufactured by Bristolite Daylighting Systems, Santa Ana, CA. The skylight shall be glazed with a plastic dome using acrylic and prismatic material covered with a specially formulated infrared and ultraviolet light reflecting coating to a 6063-T5 heliarc welded aluminum frame fabricated of aluminum and polyurethane thermal break material to prevent thermal losses through the frame and the formation of condensation on its interior surfaces. The frame is to have an integral condensation channel. The aluminum retaining cap fasteners are to be corrosive resistant. The base frame shall be installed either on a 1-1/2" wide curb furnished by others or on its own 4", 9", or 12" high self flashing curb fabricated from aluminum with a 2-3/4" roof flange with one inch of insulation in a PVC frame and an aluminum liner on the interior of the self flashing frame. Materials are Approved Plastic CC-2 Rated.

Sizes:

Model Number	Inside Curb Dimension	Model Number	Inside Curb Dimension	Model Number	Inside Curb Dimension	Model Number	Inside Curb Dimension
1414-ALT	14 1/4" x 14 1/4"	6060-ALT	60" x 60"	2448-ALT	24 1/4" x 48"	3775-ALT	37" x 75"
1919-ALT	19" x 19"			2496-ALT	24 1/4" x 96"	3859-ALT	38" x 59"
2222-ALT	22 1/4" x 22 1/4"	1422-ALT	14 1/4" x 22 1/4"	3037-ALT	30 1/4" x 37"	4669-ALT	46 1/4" x 69 1/2"
3030-ALT	30 1/4" x 30 1/4"	1446-ALT	14 1/4" x 46 1/4"	3046-ALT	30 1/4" x 46 1/4"	4689-ALT	46 1/4" x 89 1/2"
3737-ALT	37" x 37"	2230-ALT	22 1/4" x 30 1/4"	3069-ALT	30 1/4" x 69 1/2"	4884-ALT	48" x 84"
4242-ALT	42" x 42"	2237-ALT	22 1/4" x 37"	3096-ALT	30 1/4" x 96"	4896-ALT	48" x 96"
4646-ALT	46 1/4" x 46 1/4"	2246-ALT	22 1/4" x 46 1/4"	3496-ALT	34" x 96"	5460-ALT	54" x 60"
4848-ALT	48" x 48"	2272-ALT	22 1/4" x 72"	3696-ALT	36" x 96"	6072-ALT	60" x 72"
5555-ALT	55" x 55"	2296-ALT	22 1/4" x 96"	3746-ALT	37" x 46 1/4"	Call for additional sizes	

Solar Heat Gain Coefficient = .26, U Factor = .45, Visible Light Transmission = 54% (Typical for ACO double glazed units)

Features:

1. Curb Mounted (CM) or Self Flashing (SF)
2. Acrylic Coolite Color (ACO) or Polycarbonate Coolite Color (PCO)
3. Insulated Frame (INS) (self flashing models only)
4. Double Wall Frame (DW) (self flashing models only)
Add highlighted suffixes to model number where applicable:
i.e. 3030-ALT-SF-2-PCO-CC-9-INS-DW-MF

Options:

1. Insulating Double Domes (2) or Single Dome (1)
2. Low Profile Dome (LP) (selected sizes)
3. Frame Finish - Bronze Anodize (BA), Clear Anodize (CA), White Painted (WP) or Mill Finish (MF)
4. Self Flashing Bases of 9" or 12" (9 or 12)

Accessories: See PDS (Product Data Sheets) for these Items

1. Gladiator
 - a. Structural Curb (SC)
 - b. Security Grills (SG)
 - c. Safety Screens (SSCRN)
2. Quickkit (Installation Kits)
 - a. Stainless Steel (QKSS)
 - b. Zinc Plated (QKZP)