

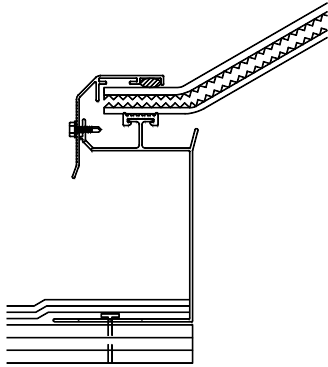
### Frame Material

Aluminum

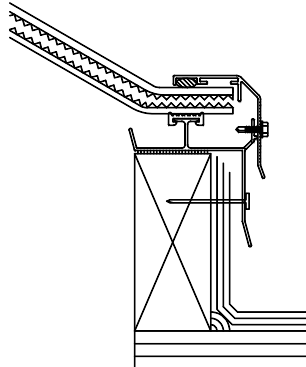
Bristolite prismatic glazing has been load tested and complies with OSHA – CFR's for fall protection.

### Prismatic Double Hip Dome

Details (Scale: 3":1'-0")



AL-SF-2-DH



AL-CM-2-DH

### Specifications

Quasar Skylight shall be model No. \_\_\_\_\_ as manufactured by Bristolite Daylighting Systems, Santa Ana, CA. The skylight shall be glazed with a plastic double hip dome using prismatic material. The frame is a fabricated 6063-T5 heliarc welded aluminum frame. The frame is to have an integral condensation channel to carry moisture to the exterior. The aluminum retaining cap fasteners are to be corrosive resistant. The base frame shall be installed either on a 1-1/2" wide curb furnished by others or on its own 4", 9", or 12" high self flashing curb fabricated from aluminum with a 2-3/4" roof flange. Materials are to be Approved Plastic CC-2 Rated. Standard slope of a double hip dome to be 30° rise.

### Sizes:

Model Number	Inside Curb Dimension	Model Number	Inside Curb Dimension	Model Number	Inside Curb Dimension	Model Number	Inside Curb Dimension
2230-AL	22 1/4" x 30 1/4"	3069-AL	30 1/4" x 69 1/2"	4689-AL	46 1/4" x 89 1/2"	60120-AL	60" x 120"
2237-AL	22 1/4" x 37"	3096-AL	30 1/4" x 96"	4872-AL	48" x 72"		
2246-AL	22 1/4" x 46 1/4"	3496-AL	34" x 96"	4884-AL	48" x 84"		
2272-AL	22 1/4" x 72"	3696-AL	36" x 96"	4896-AL	48" x 96"		
2296-AL	22 1/4" x 96"	36120-AL	36" x 120"	48120-AL	48" x 120"		
2448-AL	24" x 48"	3746-AL	37" x 46 1/4"	5460-AL	54" x 60"		
2496-AL	24" x 96"	3775-AL	37" x 75"	6072-AL	60" x 72"		
3037-AL	30 1/4" x 37"	3859-AL	38" x 59"	6084-AL	60" x 84"		
3046-AL	30 1/4" x 46 1/4"	4669-AL	46 1/4" x 69 1/2"	6096-AL	60" x 96"		

Solar Heat Gain Coefficient = .47, U Factor = .73, Visible Light Transmission = 70% (Typical for CM double glazed units)

### Features:

1. Curb Mounted (**CM**) or Self Flashing (**SF**)
2. Prismatic Double Hip Dome(s) (**DH**)
3. Two Prismatic Color Choices: White Prismatic Acrylic (**WPM**) or Clear Prismatic Acrylic (**CPM**)  
Add highlighted suffixes to model number where applicable:  
i.e. **6072-AL-CM-2-CPM-WPM-DH-WP**

### Options:

1. Insulating Double Domes (**2**) or Single Dome (**1**)
2. Dome or Pyramid (**P**) Shaped Dome (selected sizes)
3. Frame Finish - Bronze Anodize (**BA**), Clear Anodize (**CA**), White Painted (**WP**) or Mill Finish (**MF**)
4. Self Flashing Bases of 9" or 12" (**9** or **12**)

### Options: (cont.)

5. Insulated Frame (**INS**)
6. Double Wall Frame (**DW**)

### Accessories: See PDS (Product Data Sheets) for these Items

1. Gladiator
  - a. Structural Curb (**SC**)
  - b. Security Grills (**SG**)
  - c. Safety Screens (**SSCRN**)
  - d. External Safety Cages (**SCAGE**)
2. Quickkit (Installation Kits)
  - a. Stainless Steel (**QKSS**)
  - b. Zinc Plated (**QKZP**)