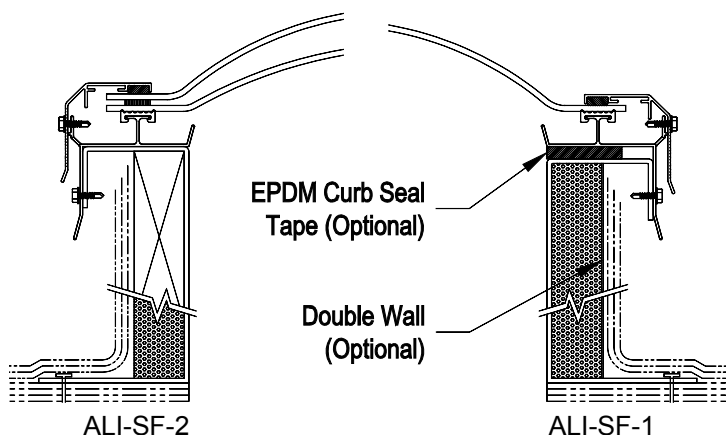


**Frame Material:** Aluminum  
**IECC 2015:** Meets without controls all climate zones  
**OSHA:** Meets CFR fall regulations  
**AAMA:** WDMA/CSA 101/I.S.2/A440-08 & WDMA/CSA 101/I.S.2/A440-05

### Copolyester Dome

#### Details:



#### Specifications

Trituff skylight shall be model No. \_\_\_\_\_ as manufactured by Bristolite Daylighting Systems, Santa Ana, CA. The skylight shall be fully factory assembled consisting of a plastic dome (triarch shape for larger skylights) with a CC-1 classification using Trituff UL972 listed material that is sealed by interior and exterior gaskets to a 6063-T5 heliarc welded aluminum frame. The frame is to have an integral condensation channel to carry moisture to the exterior. The aluminum retaining cap fasteners are to be corrosive resistant. The skylight frame shall be installed on its own 9" or 12" high self flashing curb fabricated from aluminum with a 2-3/4" roof nailing flange. The base is made up with 1" insulation and a wood nailer and/or an additional aluminum liner on the exterior of the self flashing curb.

#### Sizes:

Model Number	Inside Curb Dimension	Model Number	Inside Curb Dimension	Model Number	Inside Curb Dimension	Model Number	Inside Curb Dimension
1414-ALI	14 1/4" x 14 1/4"	1422-ALI	14 1/4" x 22 1/4"	3037-ALI	30 1/4" x 37"	3859-ALI	38" x 59"
1919-ALI	19" x 19"	1446-ALI	14 1/4" x 46 1/4"	3046-ALI	30 1/4" x 46 1/4"	4669-ALI	46 1/4" x 69 1/2"
2222-ALI	22 1/4" x 22 1/4"	2230-ALI	22 1/4" x 30 1/4"	3069-ALI	30 1/4" x 69 1/2"	4689-ALI	46 1/4" x 89 1/2"
3030-ALI	30 1/4" x 30 1/4"	2237-ALI	22 1/4" x 37"	3096-ALI	30 1/4" x 96"	4884-ALI*	48" x 84"
3737-ALI	37" x 37"	2246-ALI	22 1/4" x 46 1/4"	3496-ALI	34" x 96"	4896-ALI*	48" x 96"
4242-ALI	42" x 42"	2272-ALI	22 1/4" x 72"	3696-ALI	36" x 96"	5460-ALI*	54" x 60"
4646-ALI	46 1/4" x 46 1/4"	2296-ALI	22 1/4" x 96"	36120-ALI	36" x 120"	6072-ALI*	60" x 72"
4848-ALI*	48" x 48"	2448-ALI	24" x 48"	3746-ALI	37" x 46 1/4"	6096-ALI*	60" x 96"
5555-ALI*	55" x 55"	2496-ALI	24" x 96"	3775-ALI	37" x 75"		Call for additional sizes

\*Skylight dome in a triarch shape **only**.

Solar Heat Gain Coefficient = .50, U Factor = .65, Visible Light Transmission = 60% (Typical for HS1 double glazed units)

#### Features:

1. Self Flashing (SF)
2. White Copolyester Glazing (HS1)
3. Insulated Curb (INS)
4. Wood Nailer (WN)

Add highlighted suffixes to model number where applicable:  
 i.e. 4896-ALI-SF-1-HS1-INS-WN-CA

#### Options:

1. Insulating Double Domes (2) or Single Dome (1)
2. Low Profile Dome (selected sizes) (LP)
3. Frame Finish - Bronze Anodize (BA), Clear Anodize (CA), White Painted (WP) or Mill Finish (MF)
4. Self Flashing Bases of 9" or 12" (9 or 12)

#### Options: (cont.)

5. Aluminum Double Wall (DW)
6. EDPM Curb Seal Tape

Accessories: See PDS (Product Data Sheets) for these Items

1. Gladiator
  - a. Security Grills (SG)
  - b. Safety Screens (SSCRN)
  - c. External Safety Cages (SCAGE)