

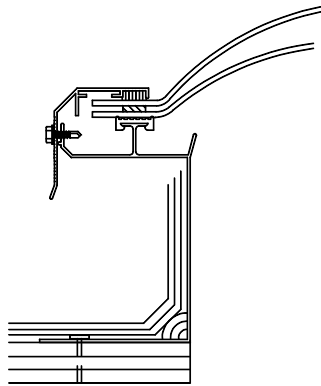


Model AL

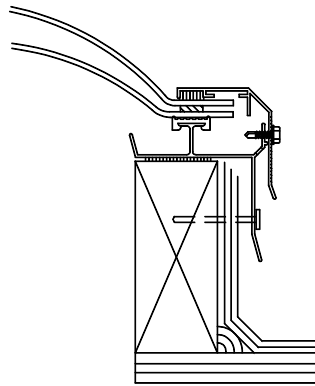
Frame Material: Aluminum
IECC 2015: Meets with controls all climate zones
OSHA: Meets CFR fall regulations
AAMA: WDMA/CSA 101/I.S.2/A440-08 & WDMA/CSA 101/I.S.2/A440-05

Copolyester Dome

Details:



AL-SF-2



AL-CM-2

Specifications:

Trituff Skylight shall be model No. _____ as manufactured by Bristolite Daylighting Systems, Santa Ana, CA. Skylights shall be fully factory assembled consisting of a plastic dome (triarch shape for larger skylights) with a CC-1 classification using Trituff UL972 listed material that is sealed by interior and exterior gaskets to a 6063-T5 heliarc welded aluminum frame. The frame is to have an integral condensation channel to carry moisture to the exterior. The aluminum retaining cap fasteners are to be corrosive resistant. The skylight frame shall be installed either on a 1-1/2" wide curb furnished by others or on its own 4", 9", or 12" high self flashing curb fabricated from aluminum with a 2-3/4" roof nailing flange.

Sizes:

Model Number	Inside Curb Dimension	Model Number	Inside Curb Dimension	Model Number	Inside Curb Dimension	Model Number	Inside Curb Dimension
1414-AL	14 1/4" x 14 1/4"	1422-AL	14 1/4" x 22 1/4"	3037-AL	30 1/4" x 37"	3859-AL	38" x 59"
1919-AL	19" x 19"	1446-AL	14 1/4" x 46 1/4"	3046-AL	30 1/4" x 46 1/4"	4669-AL	46 1/4" x 69 1/2"
2222-AL	22 1/4" x 22 1/4"	2230-AL	22 1/4" x 30 1/4"	3069-AL	30 1/4" x 69 1/2"	4689-AL	46 1/4" x 89 1/2"
3030-AL	30 1/4" x 30 1/4"	2237-AL	22 1/4" x 37"	3096-AL	30 1/4" x 96"	4884-AL*	48" x 84"
3737-AL	37" x 37"	2246-AL	22 1/4" x 46 1/4"	3496-AL	34" x 96"	4896-AL*	48" x 96"
4242-AL	42" x 42"	2272-AL	22 1/4" x 72"	3696-AL	36" x 96"	5460-AL*	54" x 60"
4646-AL	46 1/4" x 46 1/4"	2296-AL	22 1/4" x 96"	36120-AL	36" x 120"	6072-AL*	60" x 72"
4848-AL*	48" x 48"	2448-AL	24" x 48"	3746-AL	37" x 46 1/4"	6096-AL*	60" x 96"
5555-AL*	55" x 55"	2496-AL	24" x 96"	3775-AL	37" x 75"	Call for additional sizes	

*Skylight dome in a triarch shape only.

Solar Heat Gain Coefficient = .50, U Factor = .65, Visible Light Transmission = 60% (Typical for HS1 double glazed units)

Features:

1. Curb Mounted (**CM**) or Self Flashing (**SF**)
2. White Copolyester Glazing (**HS1**)
Add highlighted suffixes to model number where applicable:
i.e. **4848-AL-CM-1-HS1-WP**

Options:

1. Insulating Double Domes (**2**) or Single Dome (**1**)
2. Low Profile Dome (**LP**) (selected sizes)
3. Frame Finish - Bronze Anodize (**BA**), Clear Anodize (**CA**), White Painted (**WP**) or Mill Finish (**MF**)
4. Self Flashing Bases of 9" or 12" (**9** or **12**)
5. EPDM Curb Seal Tape (**CMT**)

Accessories: See PDS (Product Data Sheets) for these Items

1. Gladiator
 - a. Structural Curb (**SC**)
 - b. Security Grills (**SG**)
 - c. Safety Screens (**SSCRN**)
 - d. External Safety Cages (**SCAGE**)
2. Quickkit (Installation Kits)
 - a. Stainless Steel (**QKSS**)
 - b. Zinc Plated (**QKZP**)