

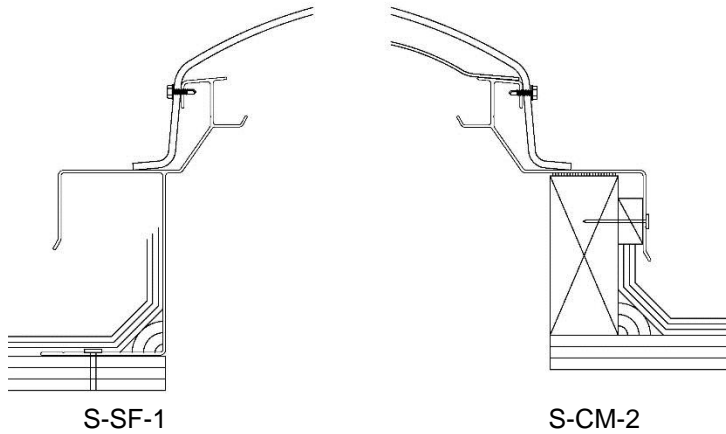


Copolyester Triarch

Model S

Frame Material: Aluminum
IECC 2015: Meets with controls all climate zones
OSHA: Meets CFR fall regulations
AAMA: WDMA/CSA 101/I.S.2/A440-08 & WDMA/CSA 101/I.S.2/A440-05

Details:



Specifications:

Trituff skylight shall be model No. _____ as manufactured by Bristolite Daylighting Systems, Santa Ana, CA. Skylights shall be fully factory assembled consisting of a plastic dome using Trituff UL972 listed material, a CC-1 classification, that is attached to a 6063-T5 heliarc welded aluminum frame. The frame is to have an integral condensation channel to carry moisture to the exterior. The skylight frame shall be installed either on a 1-1/2" wide curb furnished by others or on its own 4", 9", or 12" high self flashing curb fabricated from aluminum with a 2-3/4" roof nailing flange.

Sizes:

Model Number	Inside Curb Dimension	Model Number	Inside Curb Dimension	Model Number	Inside Curb Dimension	Model Number	Inside Curb Dimension
4848-S	48" x 48"			4896-S	48" x 96"		
				6072-S	60" x 72"		
				Call for additional sizes			

Solar Heat Gain Coefficient = .50, U Factor = .65, Visible Light Transmission = 60% (Typical for HS1 double glazed units)

Features:

1. Curb Mounted (**CM**) or Self Flashing (**SF**)
2. White Copolyester Glazing (**HS1**)
 Add highlighted suffixes to model number where applicable:
 i.e. **4848-S-SF-2-HS1-CC-9-WP**

Options:

1. Insulating Double Domes (**2**) or Single Dome (**1**)
2. Frame Finish - Bronze Anodize (**BA**), Clear Anodize (**CA**), White Painted (**WP**) or Mill Finish (**MF**)
3. Self Flashing Bases of 9" or 12" (**9** or **12**)
4. Insulated Frame (**INS**)
5. Double Wall Frame (**DW**)

Accessories: See PDS (Product Data Sheets) for these Items

1. Gladiator
 - a. Structural Curb (**SC**)
 - b. Security Grills (**SG**)
 - c. Safety Screens (**SSCRN**)
 - d. External Safety Cages (**SCAGE**)
2. Quickkit (Installation Kits)
 - a. Stainless Steel (**QKSS**)
 - b. Zinc Plated (**QKZP**)