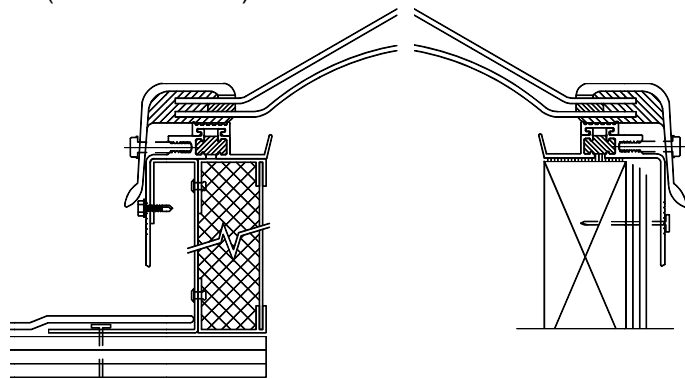


Residential Skylight
Thermally Broken

Acrylic Double Hip Dome

Details (Scale: 3½":1'-0")



AST-SF-2-DH

AST-CM-2-DH

Specifications

Thermoweld Skylight shall be model No. _____ as manufactured by Bristolite Daylighting Systems, Santa Ana, CA. Skylights shall be fully factory assembled consisting of acrylic double hip glazing with a CC-2 classification that shall be fused to its own counter flashing fiberglass skirt through the Thermoweld process which, in turn is attached to a thermally broken 6063-T5 aluminum frame. The base frame shall be installed either on a 1-1/2" wide curb furnished by others or on its own 4", 9", or 12" high self flashing curb fabricated from aluminum with a 2-3/4" roof flange and a built in water barrier and 10° sloping weepage gutter for condensation drainage. Standard slope of a double hip dome to be 30° rise.

Sizes:

Model Number	Inside Curb Dimension	Model Number	Inside Curb Dimension	Model Number	Inside Curb Dimension	Model Number	Inside Curb Dimension
2230-AST	22¼" x 30¼"	3496-AST	34" x 96"	6072-AST	60" x 72"		
2237-AST	22¼" x 37"	3696-AST	36" x 96"	6096-AST*	60" x 96"		
2246-AST	22¼" x 46¼"	3746-AST	37" x 46¼"				
2272-AST	22¼" x 72"	3775-AST	37" x 75"				
2296-AST	22¼" x 96"	3859-AST	38" x 59"				
3037-AST	30¼" x 37"	4669-AST	46¼" x 69½"				
3046-AST	30¼" x 46¼"	4689-AST	46¼" x 89½"				
3069-AST	30¼" x 69½"	4896-AST	48" x 96"				
3096-AST	30¼" x 96"	5460-AST	54" x 60"				

*Sizes are **only** available in the following acrylic colors: WTM, CC or BT.

Solar Heat Gain Coefficient = .50, U Factor = .56, Visible Light Transmission = 53% (Typical for WTM double glazed units)

Features:

1. Curb Mounted (CM) or Self Flashing (SF)
2. Four Acrylic Color Choices: Medium White (WTM), Bronze (BT), Grey (GT) or Clear (CC)
3. Standard Bronze Color Fiberglass Frame Finish
Add highlighted suffixes to model number where applicable:
i.e. 3737-AST-CM-2-CC-WTM-DH

Options:

1. Insulating Double Domes (2) or Single Dome (1)
2. Dome or Pyramid (P) Shaped Dome (selected sizes)
3. Polycarbonate Dome (PC) (inner dome only)

Options: (cont.)

4. Impact Modified Prismatic Acrylic Glazing (WPM/CPM) (inner dome only) Up to and including 4896 and 6072, no larger
5. Base Frame Finish (self flashing only) – Bronze Anodize (BA), Clear Anodize (CA), White Painted (WP) or Mill Finish (MF)
6. Fiberglass Frame Finish – White Gel (WGEL)
7. Self Flashing Bases of 9" or 12" (9 or 12)
8. Insulated Frame (INS)

Accessories: See PDS (Product Data Sheets) for these Items

1. Quickkit (Installation Kits)
 - a. Stainless Steel (QKSS)
 - b. Zinc Plated (QKZP)