

Thermoweld Acrylic

Electric Openable Residential
Skylight



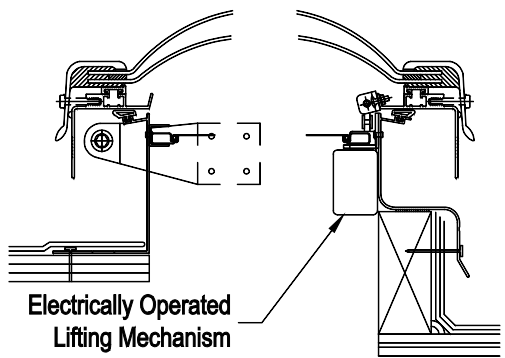
Acrylic Dome

Model AS-ESD

Frame Material
Fiberglass/Aluminum

Bristolite acrylic glazing has been load tested and complies with OSHA – CFR's for fall protection.

Details (Scale: 2":1'-0")



AS-ESD-SF-2

AS-ESD-CM-2

Dimensions, mounting and the type of electrically operated lifting mechanism will vary with the size of unit.

Specifications

Thermoweld Skylight shall be model No. _____ as manufactured by Bristolite Daylighting Systems, Santa Ana, CA. Skylights shall be fully factory assembled consisting of acrylic glazing with a CC-2 classification that shall be fused to its own counter flashing fiberglass skirt through the Thermoweld process which, in turn is attached to a thermally broken aluminum frame. The openable frame is attached to the base frame with a pivot hinge. The openable frame is lifted by a lifting mechanism with an electrically operated mechanism. The base frame shall be 6063-T5 heliarc welded aluminum. All units have insect screens and full perimeter gasketing around the base. A wall switch is provided to trigger the motor, opening the skylight for ventilation. The base frame shall be installed either on a 1-1/2" wide curb furnished by others or on its own 4", 9", or 12" high self flashing curb fabricated from aluminum with a 2-3/4" roof flange.

Sizes:

Model Number	Inside Curb Dimension	Model Number	Inside Curb Dimension	Model Number	Inside Curb Dimension	Model Number	Inside Curb Dimension
1919-AS-ESD	19" x 19"	2230-AS-ESD	22 1/4" x 30 1/4"	3746-AS-ESD	37" x 46 1/4"	4622-AS-ESD	46 1/4" x 22 1/4"
2222-AS-ESD	22 1/4" x 22 1/4"	2237-AS-ESD	22 1/4" x 37"	3775-AS-ESD**	37" x 75"	4630-AS-ESD	46 1/4" x 30 1/4"
3030-AS-ESD	30 1/4" x 30 1/4"	2246-AS-ESD	22 1/4" x 46 1/4"	3859-AS-ESD	38" x 59"	4637-AS-ESD	46 1/4" x 37"
3737-AS-ESD	37" x 37"	2272-AS-ESD	22 1/4" x 72"	4669-AS-ESD**	46 1/4" x 69 1/2"		
4242-AS-ESD	42" x 42"	2296-AS-ESD**	22 1/4" x 96"	4689-AS-ESD*	46 1/4" x 89 1/2"		
4646-AS-ESD	46 1/4" x 46 1/4"	3037-AS-ESD	30 1/4" x 37"				
4848-AS-ESD	48" x 48"	3046-AS-ESD	30 1/4" x 46 1/4"	3022-AS-ESD	30 1/4" x 22 1/4"		
5555-AS-ESD**	55" x 55"	3069-AS-ESD**	30 1/4" x 69 1/2"	3722-AS-ESD	37" x 22 1/4"		
Call for additional sizes		3096-AS-ESD**	30 1/4" x 96"	3730-AS-ESD	37" x 30 1/4"	Call for additional sizes	

*Dual lifting mechanisms are required. **Larger rectangles when hinged on the long side (ex. 4669*=6946) will also require dual lifting mechanisms.

*Sizes are *only* available in the following acrylic colors: WTM, CC, BT or GT.

Solar Heat Gain Coefficient = .50, U Factor = .56, Visible Light Transmission = 53% (Typical for WTM double glazed units)

Features:

1. Curb Mounted (**CM**) or Self Flashing (**SF**)
2. Four Acrylic Color Choices: Medium White (**WTM**), Bronze (**BT**), Grey (**GT**) or Clear (**CC**)
3. Standard Bronze Color Fiberglass Frame Finish
4. Wall Mounted Power Switch
Add highlighted suffixes to model number where applicable:
i.e. **4242-AS-ESD-CM-2-CC-WTM-WP**

Options:

1. Insulating Double Domes (**2**) or Single Dome (**1**)
2. Pyramid (**P**) or Double Hip (**DH**) Shaped Dome (selected sizes)
3. Polycarbonate Dome (**PC**) (inner dome only)
4. Low Profile Dome (**LP**) (selected sizes)
5. Impact Modified Prismatic Acrylic Glazing (**WPM/CPM**)

Options: (cont.)

6. Base Frame Finish (self flashing only) – Bronze Anodize (**BA**), Clear Anodize (**CA**), White Painted (**WP**) or Mill Finish (**MF**)
7. Fiberglass Frame Finish – White Gel (**WGEL**)
8. Self Flashing Bases of 9" or 12" (**9** or **12**)
9. Insulated Frame (**INS**)
10. Units Hinged on Short Side as Standard. Long Side By Request

Accessories: See PDS (Product Data Sheets) for these Items

1. Quickkit (Installation Kits)
 - a. Stainless Steel (**QKSS**)
 - b. Zinc Plated (**QKZP**)