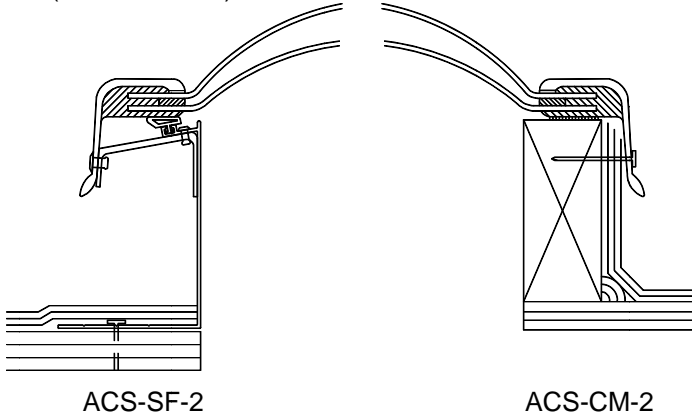




Acrylic Dome

Details (Scale: 3":1'-0")



Specifications

Thermoweld Circular Skylight shall be model No. _____ as manufactured by Bristolite Daylighting Systems, Santa Ana, CA. Skylights shall be fully factory assembled consisting of acrylic glazing with a CC-2 classification that shall be fused to its own counter flashing fiberglass skirt through the Thermoweld process. The base frame shall be installed either on a 1-1/2" wide curb furnished by others or on its own 4", 9", or 12" high self flashing curb fabricated from aluminum with a 2-3/4" roof flange and a built in water barrier and 10° sloping weepage gutter for condensation drainage.

Sizes:

Model Number	Inside Curb Dimension	Model Number	Inside Curb Dimension	Model Number	Inside Curb Dimension	Model Number	Inside Curb Dimension
24-ACS	24"						
31-ACS	31"						
43-ACS	43"						
54-ACS	54"						
67-ACS	67"						
79-ACS	79"						
91-ACS	91"						

Solar Heat Gain Coefficient = .50, U Factor = .56, Visible Light Transmission = 53% (Typical for WTM double glazed units)

Features:

1. Curb Mounted (CM) or Self Flashing (SF)
2. Four Acrylic Color Choices: Medium White (WTM), Bronze (BT), Grey (GT) or Clear (CC)
3. Double Wall Frame (DW) (Only when (INS) is added as option)
4. Standard Bronze Color Fiberglass Frame Finish
Add highlighted suffixes to model number where applicable:
i.e. 43-ACS-SF-2-BT-INS-DW-BA

Options: (cont.)

4. Impact Modified Prismatic Acrylic Glazing (WPM/CPM) (inner dome only) Up to and including 4896 and 6072, no larger
5. Base Frame Finish (self flashing only) – Bronze Anodize (BA), Clear Anodize (CA), White Painted (WP) or Mill Finish (MF)
6. Fiberglass Frame Finish – White Gel (WGEL)
7. Self Flashing Bases of 9" or 12" (9 or 12)
8. Insulated Frame (INS)

Options:

1. Insulating Double Domes (2) or Single Dome (1)
2. Polycarbonate Dome (PC) (inner dome only)
3. Low Profile Dome (LP) (selected sizes)

Accessories: See PDS (Product Data Sheets) for these Items

1. Quickkit (Installation Kits)
 - a. Stainless Steel (QKSS)
 - b. Zinc Plated (QKZP)