

Frame Material: Aluminum

NFRC: Certified

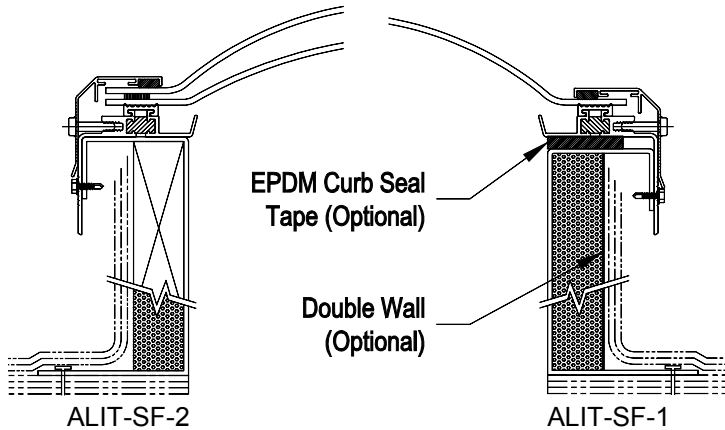
IECC 2015: Meets without controls climate zone 1, meets with controls climate zone 2-8

OSHA: Meets CFR fall regulations

AAMA: WDMA/CSA 101/I.S.2/A440-08 & WDMA/CSA 101/I.S.2/A440-05

Acrylic Dome

Details:



Specifications

Bristol skylight shall be model No. _____ as manufactured by Bristolite Daylighting Systems, Santa Ana, CA. The skylight shall be fully factory assembled consisting of acrylic glazing with a CC-2 classification that is sealed by interior and exterior gaskets to a 6063-T5 heliarc welded aluminum frame fabricated of aluminum and polyurethane thermal break material to prevent thermal losses through the frame and the formation of condensation on its interior surfaces. The frame is to have an integral condensation channel to carry moisture to the exterior. The aluminum retaining cap fasteners are to be corrosive resistant. The skylight frame shall be installed on its own 9" or 12" high self flashing curb fabricated from aluminum with a 2-3/4" roof nailing flange. The base is made up with 1" insulation and a wood nailer and/or an additional aluminum liner on the exterior of the self flashing curb.

Sizes:

Model Number	Inside Curb Dimension	Model Number	Inside Curb Dimension	Model Number	Inside Curb Dimension	Model Number	Inside Curb Dimension
1414-ALIT	14 1/4" x 14 1/4"	6060-ALIT*	60" x 60"	3037-ALIT	30 1/4" x 37"	3859-ALIT	38" x 59"
1919-ALIT	19" x 19"	7070-ALIT*	70 1/4" x 70 1/4"	3046-ALIT	30 1/4" x 46 1/4"	4669-ALIT	46 1/4" x 69 1/2"
2222-ALIT	22 1/4" x 22 1/4"	7575-ALIT*	75" x 75"	3069-ALIT	30 1/4" x 69 1/2"	4689-ALIT	46 1/4" x 89 1/2"
3030-ALIT	30 1/4" x 30 1/4"	8484-ALIT*	84" x 84"	3096-ALIT	30 1/4" x 96"	4884-ALIT	48" x 84"
3737-ALIT	37" x 37"	9292-ALIT*	92 1/2" x 92 1/2"	3496-ALIT	34" x 96"	4896-ALIT	48" x 96"
4242-ALIT	42" x 42"			3696-ALIT	36" x 96"	48120-ALIT**	48" x 120"
4646-ALIT	46 1/4" x 46 1/4"	2272-ALIT	22 1/4" x 72"	36120-ALIT**	36" x 120"	5460-ALIT*	54" x 60"
4848-ALIT	48" x 48"	2296-ALIT	22 1/4" x 96"	3746-ALIT	37" x 46 1/4"	6072-ALIT*	60" x 72"
5555-ALIT*	55" x 55"	2496-ALIT	24" x 96"	3775-ALIT	37" x 75"	6096-ALIT**	60" x 96"

*Sizes are *only* available in the following acrylic colors: WTM, CC, BT or GT. **Sizes are *only* available in the following acrylic colors: WTM, CC or BT
Solar Heat Gain Coefficient = .31, U Factor = .71, Visible Light Transmission = 53% (Typical for CM double glazed units)

Features:

1. Self Flashing (SF)
2. Five Acrylic Color Choices: High White (WTH), Medium White (WTM), Bronze (BT), Grey (GT) or Clear (CC)
3. Insulated Curb (INS)
4. Wood Nailer (WN)

Add highlighted suffixes to model number where applicable:
i.e. **4896-ALIT-SF-2-CC-WTM-INS-WN-CA**

Options:

1. Insulating Double Domes (2) or Single Dome (1)
2. Pyramid (P) or Double Hip (DH) Shaped Dome (selected sizes)
3. Low Profile Dome (selected sizes) (LP)

Options: (cont.)

4. Frame Finish - Bronze Anodize (BA), Clear Anodize (CA), White Painted (WP) or Mill Finish (MF)
5. Self Flashing Bases of 9" or 12" (9 or 12)
6. Aluminum Double Wall (DW)
7. EPDM Curb Seal Tape

Accessories: See PDS (Product Data Sheets) for these Items

1. Gladiator
 - a. Security Grills (SG)
 - b. Safety Screens (SSCRN)
 - c. External Safety Cages (SCAGE)