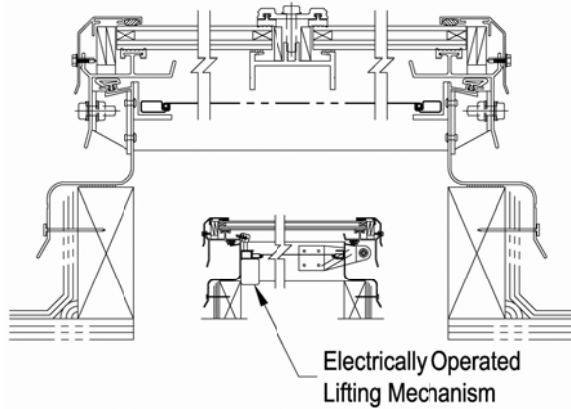




Electric Openable  
Residential Skylight

Flat Glass

Details (Scale: 3":1'-0")



GALM-ESD-CM-I

GALM-ESD-CM-I

Dimensions, mounting and the type of electrically operated lifting mechanism will vary with the size of unit.

Specifications

Alumilite Skylight shall be model No. \_\_\_\_\_ as manufactured by Bristolite Daylighting Systems, Santa Ana, CA. Skylights shall be fully factory assembled consisting of glass (see below) that is sealed by interior and exterior gasketing to a 6063-T5 heliarc welded aluminum openable frame. The openable frame is to have an integral condensation channel to carry moisture to the exterior. Each unit has 2 glass panels divided by a central aluminum mullion. The openable frame is attached to the base frame with a pivot hinge. The openable frame is lifted by an electrically operated lifting mechanism. The aluminum retaining cap fasteners are to be corrosion resistant. The base frame shall be installed on a 1-1/2" wide curb furnished by others. All units have insect screens and full perimeter gasketing around the base.

Sizes:

Model Number	Inside Curb Dimension	Glass Type	Model Number	Inside Curb Dimension	Glass Type	Model Number	Inside Curb Dimension	Glass Type
4242-GALM-ESD	42" x 42"	B-AN	9622-GALM-ESD*	96" x 22 1/4"	A			
4646-GALM-ESD	46 1/4" x 46 1/4"	B-1	6930-GALM-ESD	69 1/2" x 30 1/4"	A			
			9630-GALM-ESD	96" x 30 1/4"	A			
			7537-GALM-ESD	75" x 37"	A			
			5938-GALM-ESD	59" x 38"	A			

\*Dual lifting mechanisms are required.

Minimum pitch of 3:12 is required for all flat glass models.

Solar Heat Gain Coefficient = .52, U Factor = .47, Visible Light Transmission = 51% (Typical for TB glazed units)

Features:

1. Curb Mounted (CM)
2. Three Glass Color Choices: Bronze (TB), Grey (TG) or Clear (TC)
3. Wall Mounted Power Switch  
Add highlighted suffixes to model number where applicable:  
i.e. 4242-GALM-ESD-CM-I-TB/LC-CA

Options:

1. Frame Finish - Bronze Anodize (BA), Clear Anodize (CA), White Painted (WP) or Mill Finish (MF)
2. Low-E Glass - PPG Solarban 60 (LE)
3. White Laminated Glass (LW)

Glass Type:

- A: 5/8" Thick Overall  
(1/8" Tempered, 1/4" Air Space, 1/4" Annealed Lam.)
- B-AN: 15/16" Thick Overall  
(1/8" Tempered, 3/8" Air Space, 7/16" Annealed Lam.)
- B-1: 1" Thick Overall  
(3/16" Tempered, 3/8" Air Space, 7/16" Annealed Lam.)
- B-HS: 1" Thick Overall  
(3/16" Tempered, 3/8" Air Space, 7/16" Heat Strengthened Lam.)
- C: 1-3/16" Thick Overall  
(1/4" Tempered, 1/2" Air Space, 7/16" Heat Strengthened Lam.)