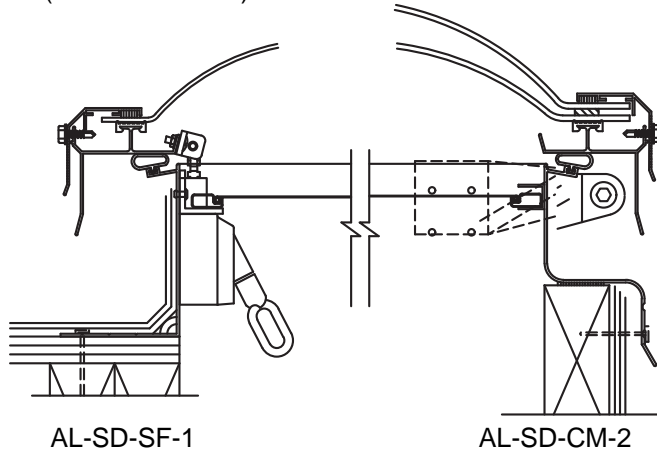




Acrylic Dome

Details (Scale: 2½":1'-0")



Specifications

Alumilite Skylight shall be model No. _____ as manufactured by Bristolite Daylighting Systems, Santa Ana, CA. Skylights shall be fully factory assembled consisting of acrylic glazing with a CC-2 classification that is sealed by interior and exterior gasketing to an openable frame fabricated of aluminum. The openable frame is to have an integral condensation channel to carry moisture to the exterior. The aluminum retaining cap fasteners are to be corrosive resistant. The openable frame is attached to the base frame with a pivot hinge. The openable frame is lifted by a lifting mechanism with a removable 5' handle. The base frame shall be 6063-T5 heliarc welded aluminum. All units have insect screens and full perimeter gasketing around the base. The base frame shall be installed either on a 1-1/2" wide curb furnished by others or on its own 4", 9", or 12" high self flashing curb fabricated from aluminum with a 2-3/4" roof flange.

Sizes:

Model Number	Inside Curb Dimension	Model Number	Inside Curb Dimension	Model Number	Inside Curb Dimension	Model Number	Inside Curb Dimension
1414-AL-SD	14 1/4" x 14 1/4"	6060-AL-SD**	60" x 60"	2237-AL-SD	22 1/4" x 37"	3096-AL-SD	30 1/4" x 96"
1919-AL-SD	19" x 19"	7070-AL-SD**	70 1/4" x 70 1/4"	2246-AL-SD	22 1/4" x 46 1/4"	3496-AL-SD	34" x 96"
2222-AL-SD	22 1/4" x 22 1/4"	7575-AL-SD**	75" x 75"	2272-AL-SD	22 1/4" x 72"	3696-AL-SD	36" x 96"
3030-AL-SD	30 1/4" x 30 1/4"	8484-AL-SD**	84" x 84"	2296-AL-SD	22 1/4" x 96"	36120-AL-SD***	36" x 120"
3737-AL-SD	37" x 37"	9292-AL-SD**	92 1/2" x 92 1/2"	2448-AL-SD	24 1/4" x 48 1/4"	3746-AL-SD	37" x 46 1/4"
4242-AL-SD	42" x 42"			2496-AL-SD	24 1/4" x 96"	3775-AL-SD	37" x 75"
4646-AL-SD	46 1/4" x 46 1/4"	1422-AL-SD	14 1/4" x 22 1/4"	3037-AL-SD	30 1/4" x 37"	3859-AL-SD	38" x 59"
4848-AL-SD	48" x 48"	1446-AL-SD	14 1/4" x 46 1/4"	3046-AL-SD	30 1/4" x 46 1/4"	4669-AL-SD	46 1/4" x 69 1/2"
5555-AL-SD**	55" x 55"	2230-AL-SD	22 1/4" x 30 1/4"	3069-AL-SD	30 1/4" x 69 1/2"		Call for additional sizes

Dual lifting mechanisms are required. Larger rectangles when hinged on the long side (i.e. 4669=6946) will also require dual lifting mechanisms.
 *Sizes are **only** available in the following acrylic colors: WTM, CC, BT or GT. **Sizes are **only** available in the following acrylic colors: WTM, CC or BT.
 Solar Heat Gain Coefficient = .50, U Factor = .56, Visible Light Transmission = 53% (Typical for WTM double glazed units)

Features:

1. Curb Mounted (CM) or Self Flashing (SF)
2. Five Acrylic Color Choices: High White (WTH), Medium White (WTM), Bronze (BT), Grey (GT) or Clear (CC)
3. 5' Operating Pole
Add highlighted suffixes to model number where applicable:
i.e. 4242-AL-SD-CM-2-WTM-P

Options:

1. Insulating Double Domes (2) or Single Dome (1)
2. Pyramid (P) or Double Hip (DH) Shaped Dome (selected sizes)
3. Polycarbonate Dome (PC) (inner dome only)
4. Low Profile Dome (LP) (selected sizes)

Options: (cont.)

5. Impact Modified Prismatic Acrylic Glazing (WPM/CPM)
Up to and including 4896 and 6072, no larger
6. Frame Finish - Bronze Anodize (BA), Clear Anodize (CA), White Painted (WP) or Mill Finish (MF)
7. Self Flashing Bases of 9" or 12" (9 or 12)
8. Insulated Frame (INS)
9. 32" Extension for the 5' Operating Pole (H-32)
10. Units Hinged on Short Side as Standard. Long Side By Request

Accessories: See PDS (Product Data Sheets) for these Items

1. Quickkit (Installation Kits)
 - a. Stainless Steel (QKSS)
 - b. Zinc Plated (QKZP)