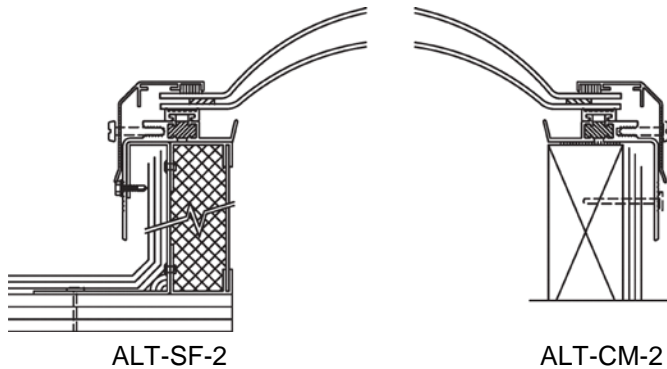




Acrylic Dome

Details (Scale: 3":1'-0")



Specifications

Alumilite Skylight shall be model No. _____ as manufactured by Kingspan Light + Air, Santa Ana, CA. Skylights shall be fully factory assembled consisting of acrylic glazing with a CC-2 classification that is sealed by interior and exterior gaskets to a 6063-T5 heliarc welded aluminum frame fabricated of aluminum and polyurethane thermal break material to prevent thermal losses through the frame and the formation of condensation on its interior surfaces. The frame is to have an integral condensation channel. The aluminum retaining cap fasteners are to be corrosive resistant. The base frame shall be installed either on a 1-1/2" wide curb furnished by others or on its own 4", 9", or 12" high self flashing curb fabricated from aluminum with a 2-3/4" roof flange with 1" of insulation in a PVC frame and an aluminum liner on the interior of the self flashing frame.

Sizes:

| Model Number | Inside Curb Dimension | Model Number | Inside Curb Dimension | Model Number | Inside Curb Dimension | Model Number | Inside Curb Dimension |
|--------------|-----------------------|--------------|-----------------------|--------------|-----------------------|--------------|-----------------------|
| 1919-ALT | 19" x 19" | 7070-ALT* | 70 1/4" x 70 1/4" | 2246-ALT | 22 1/4" x 46 1/4" | 3496-ALT | 34" x 96" |
| 2222-ALT | 22 1/4" x 22 1/4" | 7575-ALT* | 75" x 75" | 2272-ALT | 22 1/4" x 72" | 3696-ALT | 36" x 96" |
| 3030-ALT | 30 1/4" x 30 1/4" | 8484-ALT* | 84" x 84" | 2296-ALT | 22 1/4" x 96" | 3746-ALT | 37" x 46 1/4" |
| 3737-ALT | 37" x 37" | 9292-ALT* | 92 1/2" x 92 1/2" | 2448-ALT | 24" x 48" | 3775-ALT | 37" x 75" |
| 4242-ALT | 42" x 42" | | | 2496-ALT | 24" x 96" | 3859-ALT | 38" x 59" |
| 4646-ALT | 46 1/4" x 46 1/4" | 1422-ALT | 14 1/4" x 22 1/4" | 3037-ALT | 30 1/4" x 37" | 4669-ALT | 46 1/4" x 69 1/2" |
| 4848-ALT | 48" x 48" | 1446-ALT | 14 1/4" x 46 1/4" | 3046-ALT | 30 1/4" x 46 1/4" | 4689-ALT | 46 1/4" x 89 1/2" |
| 5555-ALT* | 55" x 55" | 2230-ALT | 22 1/4" x 30 1/4" | 3069-ALT | 30 1/4" x 69 1/2" | 4884-ALT | 48" x 84" |
| 6060-ALT* | 60" x 60" | 2237-ALT | 22 1/4" x 37" | 3096-ALT | 30 1/4" x 96" | 4896-ALT | 48" x 96" |

*Sizes are *only* available in the following acrylic colors: WTM, CC, BT or GT.

Solar Heat Gain Coefficient = .50, U Factor = .56, Visible Light Transmission = 53%

Features:

1. Curb Mounted (CM) or Self Flashing (SF)
2. Five Acrylic Color Choices: High White (WTH), Medium White (WTM) Bronze (BT), Grey (GT) or Clear (CC)
3. Insulated Frame (INS) (self flashing models only)
4. Double Wall Frame (DW) (self flashing models only)
Add highlighted suffixes to model number where applicable:
i.e. 1919-ALT-CM-2-WTM-CC-MF

Options: (cont.)

4. Low Profile Dome (LP) (selected sizes)
5. Impact Modified Prismatic Acrylic Glazing (WPM/CPM)
Up to and including 4896 and 6072, no larger
6. Frame Finish - Bronze Anodize (BA), Clear Anodize (CA), White Painted (WP) or Mill Finish (MF)
7. Self Flashing Bases of 9" or 12" (9 or 12)

Options:

1. Insulating Double Domes (2) or Single Dome (1)
2. Pyramid (P) or Double Hip (DH) Shaped Dome (selected sizes)
3. Polycarbonate Dome (PC) (inner dome only)

Accessories: See PDS (Product Data Sheets) for these Items

1. Quickkit (Installation Kits)
 - a. Stainless Steel (QKSS)
 - b. Zinc Plated (QKZP)