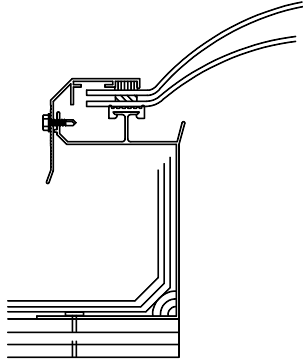


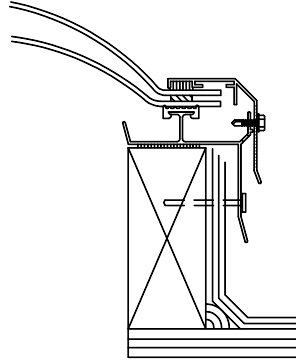


Acrylic Dome

Details (Scale: 3":1'-0")



AL-SF-2



AL-CM-2

Specifications

Alumilite Skylight shall be model No. _____ as manufactured by Bristolite Daylighting Systems, Santa Ana, CA. Skylights shall be fully factory assembled consisting of acrylic glazing with a CC-2 classification that is sealed by interior and exterior gaskets to a 6063-T5 heliarc welded aluminum frame. The frame is to have an integral condensation channel to carry moisture to the exterior. The aluminum retaining cap fasteners are to be corrosive resistant. The base frame shall be installed either on a 1-1/2" wide curb furnished by others or on its own 4", 9", or 12" high self flashing curb fabricated from aluminum with a 2-3/4" roof flange.

Sizes:

Model Number	Inside Curb Dimension	Model Number	Inside Curb Dimension	Model Number	Inside Curb Dimension	Model Number	Inside Curb Dimension
1919-AL	19" x 19"	7070-AL*	70 1/4" x 70 1/4"	2246-AL	22 1/4" x 46 1/4"	3496-AL	34" x 96"
2222-AL	22 1/4" x 22 1/4"	7575-AL*	75" x 75"	2272-AL	22 1/4" x 72"	3696-AL	36" x 96"
3030-AL	30 1/4" x 30 1/4"	8484-AL*	84" x 84"	2296-AL	22 1/4" x 96"	3746-AL	37" x 46 1/4"
3737-AL	37" x 37"	9292-AL*	92 1/2" x 92 1/2"	2448-AL	24" x 48"	3775-AL	37" x 75"
4242-AL	42" x 42"			2496-AL	24" x 96"	3859-AL	38" x 59"
4646-AL	46 1/4" x 46 1/4"	1422-AL	14 1/4" x 22 1/4"	3037-AL	30 1/4" x 37"	4669-AL	46 1/4" x 69 1/2"
4848-AL	48" x 48"	1446-AL	14 1/4" x 46 1/4"	3046-AL	30 1/4" x 46 1/4"	4689-AL	46 1/4" x 89 1/2"
5555-AL*	55" x 55"	2230-AL	22 1/4" x 30 1/4"	3069-AL	30 1/4" x 69 1/2"	4884-AL	48" x 84"
6060-AL*	60" x 60"	2237-AL	22 1/4" x 37"	3096-AL	30 1/4" x 96"	4896-AL	48" x 96"

*Sizes are *only* available in the following acrylic colors: WTM, CC, BT or GT.

Solar Heat Gain Coefficient = .31, U Factor = .71, Visible Light Transmission = 53% (Typical for CC-WTM double glazed units)

Features:

1. Curb Mounted (**CM**) or Self Flashing (**SF**)
 2. Five Acrylic Color Choices: High White (**WTH**), Medium White (**WTM**) Bronze (**BT**), Grey (**GT**) or Clear (**CC**)
- Add highlighted suffixes to model number where applicable:
i.e. **3737-AL-CM-2-CC-WTM-P-WP-INS**

Options:

1. Insulating Double Domes (**2**) or Single Dome (**1**)
2. Pyramid (**P**) or Double Hip (**DH**) Shaped Dome (selected sizes)
3. Polycarbonate Dome (**PC**) (inner dome only)
4. Low Profile Dome (**LP**) (selected sizes)

Options: (cont.)

5. Impact Modified Prismatic Acrylic Glazing (**WPM/CPM**)
Up to and including 4896 and 6072, no larger
6. Frame Finish - Bronze Anodize (**BA**), Clear Anodize (**CA**), White Painted (**WP**) or Mill Finish (**MF**)
7. Self Flashing Bases of 9" or 12" (**9** or **12**)
8. Insulated Frame (**INS**)

Accessories: See PDS (Product Data Sheets) for these Items

1. Quickkit (Installation Kits)
 - a. Stainless Steel (**QKSS**)
 - b. Zinc Plated (**QKZP**)