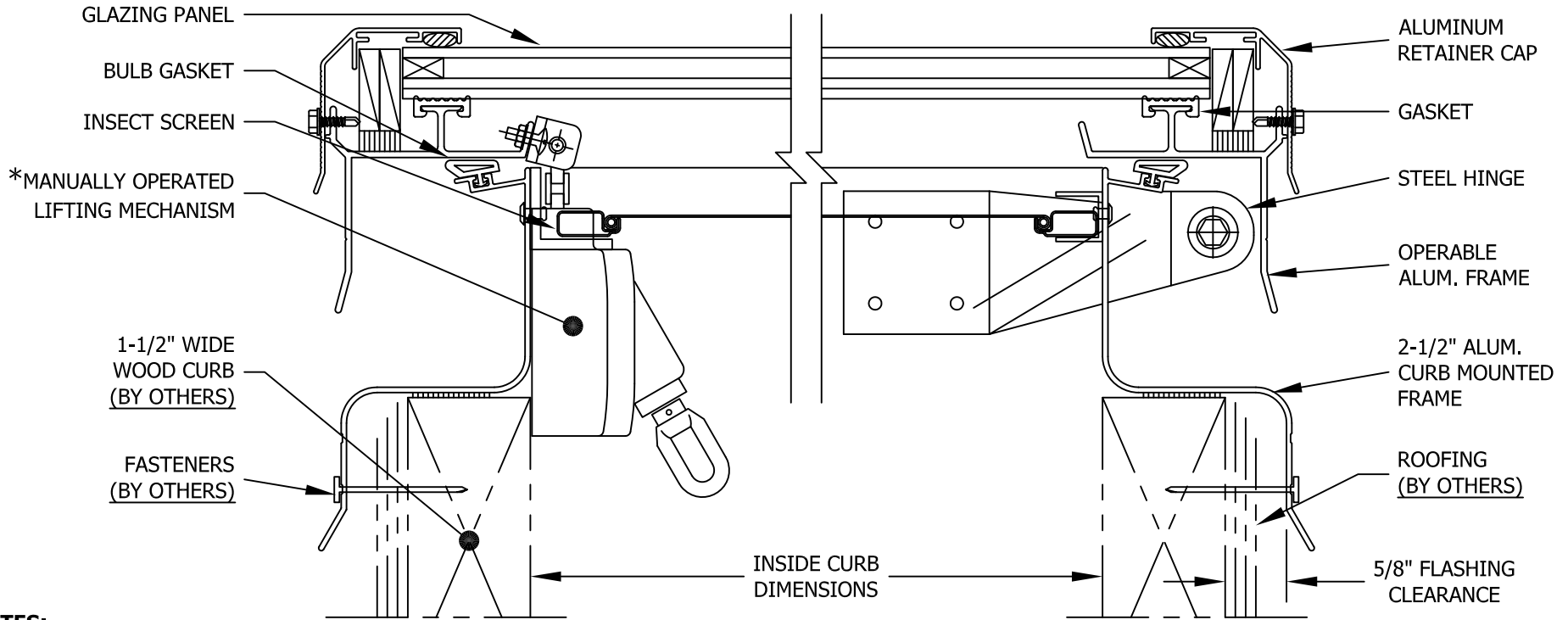


# ALUMILITE GLASS ALUMINUM CURB MOUNTED SKYVENT



**NOTES:**  
STANDARD ANGLE DRIVE IS SHOWN.  
STRAIGHT DRIVE IS OPTIONAL.  
MIN. 3:12 PITCH REQUIRED

<b>MODEL: GAL-SD-CM-I</b> (NOT TO SCALE)	MODEL NUMBER	INSIDE CURB DIMENSIONS	QTY	MODEL NUMBER	INSIDE CURB DIMENSIONS	QTY	MODEL NUMBER	INSIDE CURB DIMENSIONS	QTY	
<b>GLASS MAKEUP</b> TEMP. CLEAR/LAMI CLEAR (TC\LC) <input type="radio"/> TEMP. CLEAR/LAMI WHITE (TC\LW) <input type="radio"/> TEMP. BRONZE/LAMI CLEAR (TB\LC) <input type="radio"/> OTHER: _____ <input type="radio"/> TEMP. GREY/LAMI CLEAR (TG\LC) <input type="radio"/> LOW-E <input type="radio"/> ARGON <input type="radio"/>	SQUARE			RECTANGULAR			RECTANGULAR - (cont.)			
	1414 GAL-SD	14 1/4" x 14 1/4"		1422 GAL-SD	14 1/4" x 22 1/4"		3746 GAL-SD	37" x 46 1/4"		
	1919 GAL-SD	19" x 19"		1446 GAL-SD	14 1/4" x 46 1/4"		3775 GAL-SD	37" x 75"		
	2222 GAL-SD	22 1/4" x 22 1/4"		2230 GAL-SD	22 1/4" x 30 1/4"		3859 GAL-SD	38" x 59"		
	3030 GAL-SD	30 1/4" x 30 1/4"		2237 GAL-SD	22 1/4" x 37"					
	3737 GAL-SD	37" x 37"		2246 GAL-SD	22 1/4" x 46 1/4"					
	4242 GAL-SD	42" x 42"		2272 GAL-SD	22 1/4" x 72"					
	4646 GAL-SD	46 1/4" x 46 1/4"		7222 GAL-SD	72" x 22 1/4"					
				9622 GAL-SD	96" x 22 1/4"					
				3037 GAL-SD	30 1/4" x 37"					
			3046 GAL-SD	30 1/4" x 46 1/4"						
			3069 GAL-SD	30 1/4" x 69 1/2"						
<b>FRAME FINISH</b>										
MILL FINISH (MF) <input type="radio"/>	WHITE PAINT (WP) <input type="radio"/>		*OPERATOR LOCATION	*		*OPERATOR LOCATION	*		*OPERATOR LOCATION	*
BRONZE ANODIZED (BA) <input type="radio"/>	OTHER: _____ <input type="radio"/>									

<b>Bristolite Daylighting Systems</b>  401 East Goetz Avenue, Santa Ana, CA. 92707 TEL 714.540.8950 / FAX 714.540.5415	CUSTOMER :	PREPARED BY :	JOB NO :
	PROJECT :	SUBMITTAL DATE :	SHEET NO.: