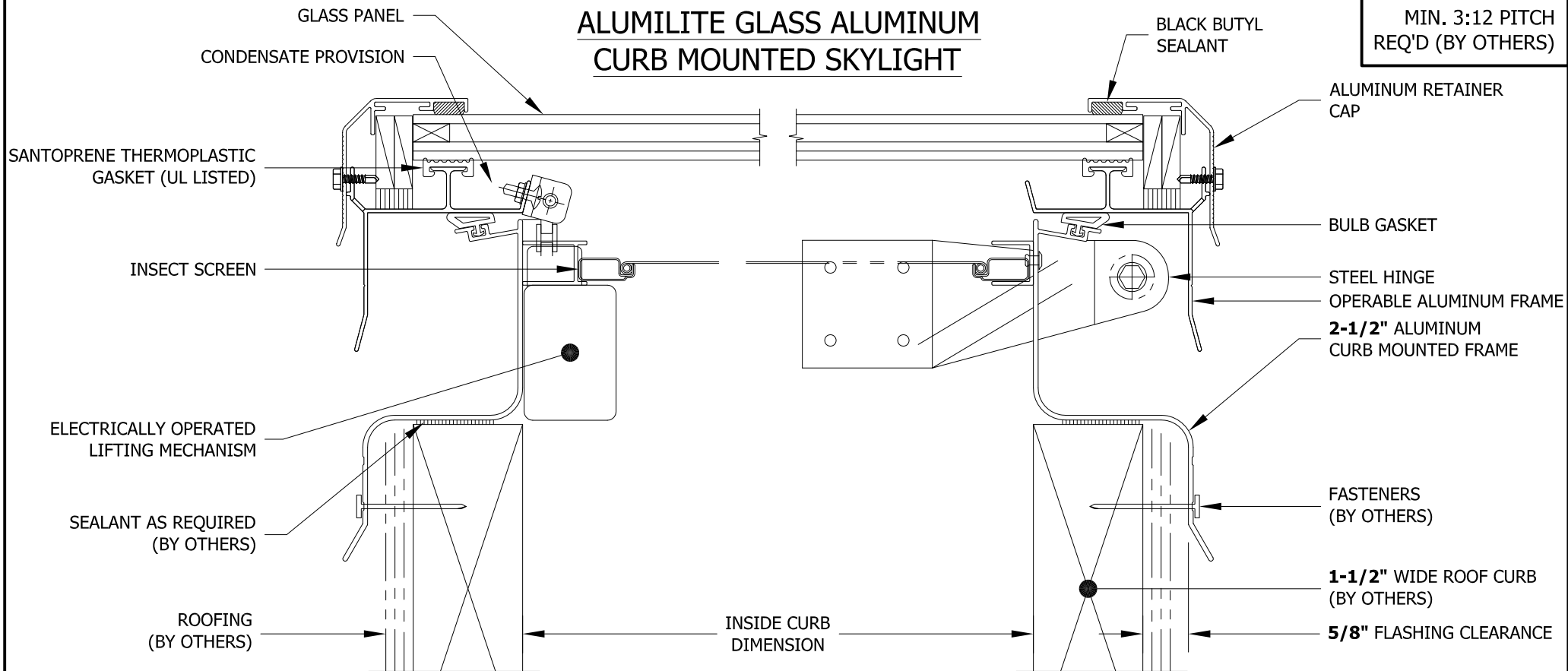


# ALUMILITE GLASS ALUMINUM CURB MOUNTED SKYLIGHT

MIN. 3:12 PITCH  
REQ'D (BY OTHERS)



MODEL: GAL-ESD-CM-I (NOT TO SCALE)	MODEL NUMBER	INSIDE CURB DIMENSIONS	QTY	MODEL NUMBER	INSIDE CURB DIMENSIONS	QTY	MODEL NUMBER	INSIDE CURB DIMENSIONS	QTY	
<b>GLASS MAKEUP</b> <input type="checkbox"/> TEMP CLEAR/LAMI CLEAR (TC/LC) <input type="checkbox"/> TEMP CLEAR/LAMI WHITE (TC/LW) <input type="checkbox"/> TEMP BRONZE/LAMI CLEAR (TB/LC) <input type="checkbox"/> LOW-E (LE) <input type="checkbox"/> ARGON (A) <input type="checkbox"/> TEMP GREY/LAMI CLEAR (TG/LC) <input type="checkbox"/> OTHER:	SQUARE			RECTANGLE			RECTANGLE - (REVERSE HINGED)			
	1919-GAL-ESD-CM	19" x 19"		2230-GAL-ESD-CM	22 1/4" x 30 1/4"		3022-GAL-ESD-CM	30 1/4" x 22 1/4"		
	2222-GAL-ESD-CM	22 1/4" x 22 1/4"		2237-GAL-ESD-CM	22 1/4" x 37"		3722-GAL-ESD-CM	37" x 22 1/4"		
	3030-GAL-ESD-CM	30 1/4" x 30 1/4"		2246-GAL-ESD-CM	22 1/4" x 46 1/4"		3730-GAL-ESD-CM	37" x 30 1/4"		
	3737-GAL-ESD-CM	37" x 37"		2272-GAL-ESD-CM	22 1/4" x 72"		4622-GAL-ESD-CM	46 1/4" x 22 1/4"		
<b>CURB FRAME FINISH</b> <input type="checkbox"/> BRONZE ANODIZED (BA) <input type="checkbox"/> CLEAR ANODIZED (CA) <input type="checkbox"/> MILL FINISH (MF) <input type="checkbox"/> WHITE PAINT (WP) <input type="checkbox"/> OTHER:				3037-GAL-ESD-CM	30 1/4" x 37"		4630-GAL-ESD-CM	46 1/4" x 30 1/4"		
				3046-GAL-ESD-CM	30 1/4" x 46 1/4"					
				3746-GAL-ESD-CM	37" x 46 1/4"					
<b>SPECIFICATIONS</b> VLT:                      SHGC: U FACTOR:		CALL FOR ADDITIONAL SIZES			CALL FOR ADDITIONAL SIZES			CALL FOR ADDITIONAL SIZES		

<b>Bristolite® Daylighting Systems</b>  401 East Goetz Avenue, Santa Ana, CA. 92707 TEL 714.540.8950 / FAX 714.540.5415	CUSTOMER:	PREPARED BY:	JOB No.:
	PROJECT:	SUBMITTAL DATE:	SHEET NO.: