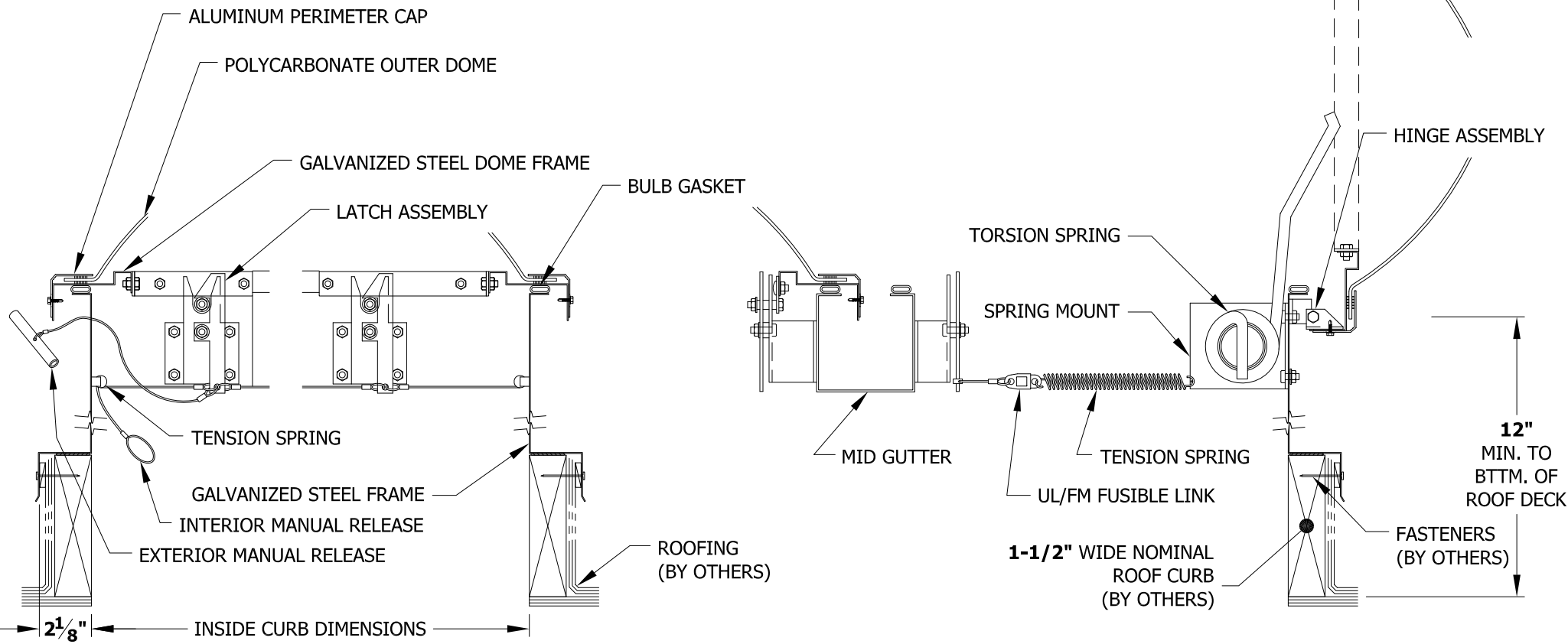
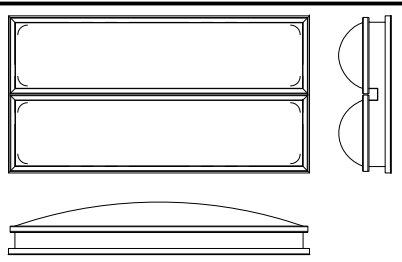


BRISTOLITE POLYCARBONATE GLAZING HAS BEEN LOAD TESTED AND COMPLIES WITH OSHA - CFRS FOR FALL PROTECTION.

TUFFLITE POLYCARBONATE GALVANIZED STEEL "ECO" DOUBLE LID CURB MOUNTED SMOKE VENT



MODEL: ECO-SVSPC-CM-1-PC-M3
(NOT TO SCALE)

MANUFACTURED & TESTED TO 'UL 793' STANDARD

OUTER POLYCARBONATE COLOR
 BRONZE (BPC) CLEAR (CPC)
 WHITE (WPC)
 OTHER:

MODEL NUMBER	INSIDE CURB DIMENSIONS	QTY
RECTANGLE		
4896-ECO-SVSPC	48" x 96"	
6072-ECO-SVSPC	60" x 72"	

NOTE:

- CORROSION RESISTANT CONSTRUCTION IS USED THROUGHOUT THE UNIT.
- FRAME MATERIAL IS 14ga. GALVANIZED STEEL.
- GASKETED DOORS ARE FORMED POLYCARBONATE DOMES.
- DOORS WILL OPEN AGAINST 10 LB. PER SQ.FT. SNOW OR WIND LOAD.
- FUSIBLE LINK AVAILABLE IN FOLLOWING: 165°, 212°, 286°, 360°, 520° (U.N.O. 165° WILL BE SUPPLIED).
- UNITS EQUIPPED w/BOTH OUTSIDE & INSIDE MANUAL RELEASES.

UL LISTED

FUSIBLE LINK TEMPERATURES:
 165° 212°
 286° 360°
 520°

Bristolite® Daylighting Systems
 401 East Goetz Avenue, Santa Ana, CA. 92707
 TEL 714.540.8950 / FAX 714.540.5415

CUSTOMER: _____

PROJECT: _____

PREPARED BY: _____

SUBMITTAL DATE: _____

JOB No.: _____

SHEET NO.: _____