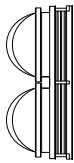
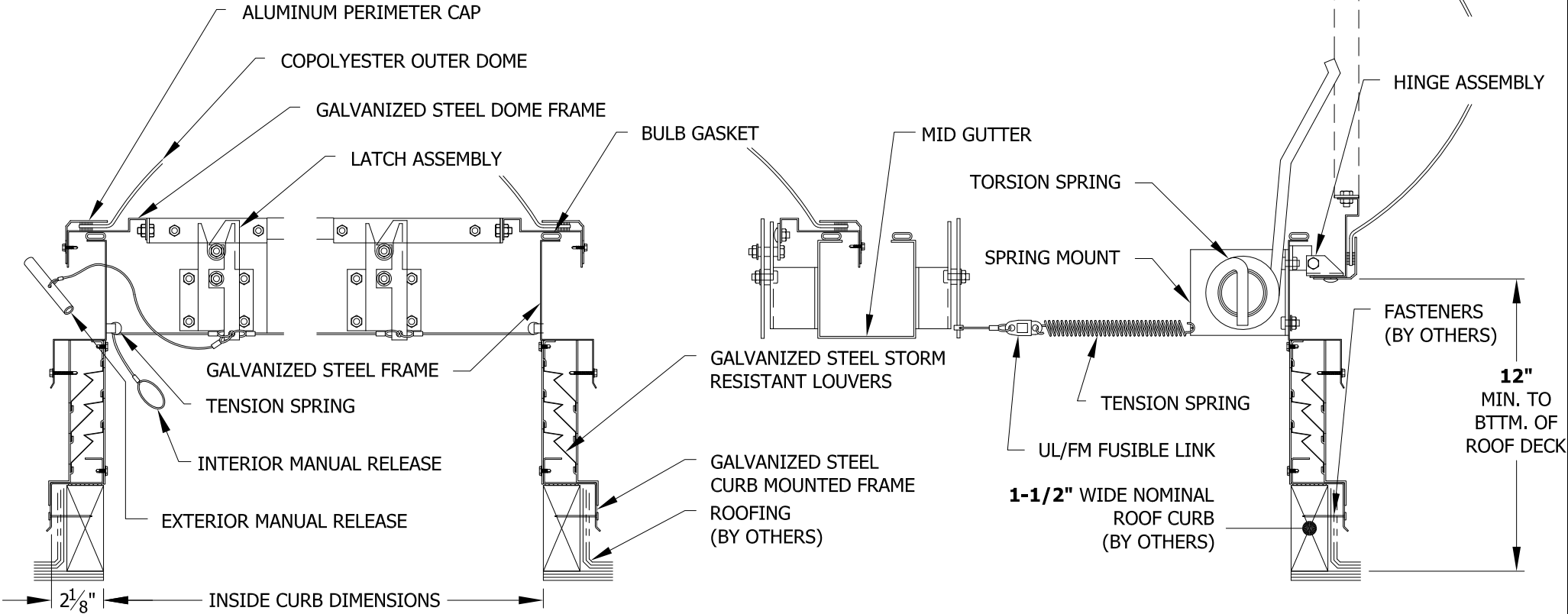


TRIARCH OUTER DOMES



# TRITUFF COPOLYESTER GALVANIZED STEEL "ECO" DOUBLE LID CURB MOUNTED LOUVERED TRIARCH SMOKE VENT

BRISTOLITE COPOLYESTER GLAZING HAS BEEN LOAD TESTED AND COMPLIES WITH OSHA - CFRS FOR FALL PROTECTION.



<b>MODEL: ECO-SVSHL-CM-1-HS1-SR-M3-MF</b> (NOT TO SCALE)	<b>MODEL NUMBER</b> SQUARE	<b>INSIDE CURB DIMENSIONS</b> 48" x 48"	<b>QTY</b>	<b>NOTE:</b> 1. CORROSION RESISTANT CONSTRUCTION IS USED THROUGHOUT THE UNIT. 2. FRAME MATERIAL IS 14ga. GALVANIZED STEEL 3. GASKETED DOORS ARE FORMED COPOLYESTER DOMES 4. DOORS WILL OPEN AGAINST 10 LB.PER SQ.FT. SNOW OR WIND LOAD. 5. FUSIBLE LINK AVAILABLE IN FOLLOWING: 165°, 212°, 286°, 360°, 520°. U.N.O, 165° WILL BE SUPPLIED. 6. UNITS EQUIPPED w/BOTH OUTSIDE & INSIDE MANUAL RELEASES.	 <b>FUSIBLE LINK TEMPERATURES:</b> ○ 165°   ○ 212° ○ 286°   ○ 360° ○ 520°
	<b>DOME MATERIAL TESTED IN CONFORMANCE WITH:</b> - HIGH WIND RESISTANT - DOME OF THIS UNIT HAS EXCEEDED 90MPH UPLIFT IN TESTING. - BURN RATE - COPOLYESTER MATERIAL CLASSIFIED AS CC1 MATERIAL. - TESTED AND MET LOAD REQUIREMENTS PER OSHA 29 CFR 1910.23 (e) (8). - TESTED AND MET REQUIREMENTS AS DESCRIBED IN STANDARDS PRESENTATION TO CALIFORNIA OCCUPATIONAL SAFETY AND HEALTH STANDARDS BOARD - STATE STANDARD, TITLE 8, CHAPTER 4, SECTION 1632 (REPORT NUMBER 3075015-1). - TESTING PERFORMED ON 48" x 96" TRIARCH DOME.	<b>RECTANGLE</b> 4896-ECO-SVSHL   48" x 96" 6072-ECO-SVSHL   60" x 72"			

<b>Bristolite® Daylighting Systems</b>  401 East Goetz Avenue, Santa Ana, CA. 92707 TEL 714.540.8950 / FAX 714.540.5415	<b>CUSTOMER:</b>	<b>PREPARED BY:</b>	<b>JOB No.:</b>
	<b>PROJECT:</b>	<b>SUBMITTAL DATE:</b>	<b>SHEET NO.:</b>