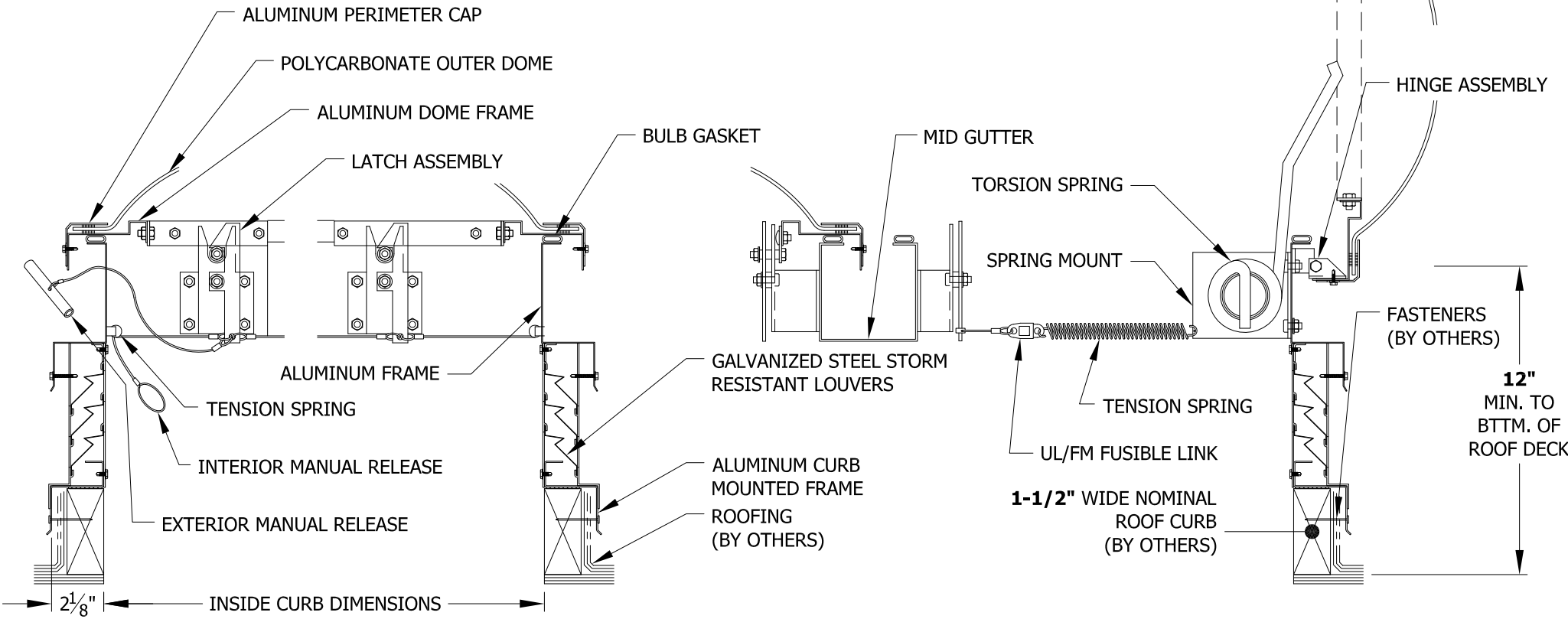


# TUFFLITE POLYCARBONATE ALUMINUM "ECO" DOUBLE LID CURB MOUNTED LOUVERED SMOKE VENT

BRISTOLITE POLYCARBONATE GLAZING HAS BEEN LOAD TESTED AND COMPLIES WITH OSHA - CFRS FOR FALL PROTECTION.



**MODEL: ECO-SVAPCL-CM-1-PC-SR-M3-MF**  
(NOT TO SCALE)

**\*MANUFACTURED & TESTED TO 'UL 793' STANDARD\***

**OUTER POLYCARBONATE COLOR**  
 BRONZE (BPC)    CLEAR (CPC)  
 WHITE (WPC)  
 OTHER:

MODEL NUMBER	INSIDE CURB DIMENSIONS	QTY
RECTANGLE		
4896-ECO-SVAPCL	48" x 96"	
6072-ECO-SVAPCL	60" x 72"	

- NOTE:**
- CORROSION RESISTANT CONSTRUCTION IS USED THROUGHOUT THE UNIT.
  - FRAME MATERIAL IS .090" THK. ALUMINUM.
  - GASKETED DOORS ARE FORMED POLYCARBONATE DOMES.
  - DOORS WILL OPEN AGAINST 10 LB. PER SQ.FT. SNOW OR WIND LOAD.
  - FUSIBLE LINK AVAILABLE IN FOLLOWING: 165°, 212°, 286°, 360°, 520° (U.N.O. 165° WILL BE SUPPLIED).
  - UNITS EQUIPPED w/BOTH OUTSIDE & INSIDE MANUAL RELEASES.

**UL LISTED**

**FUSIBLE LINK TEMPERATURES:**  
 165°    212°  
 286°    360°  
 520°

**Bristolite® Daylighting Systems**  
 401 East Goetz Avenue, Santa Ana, CA. 92707  
 TEL 714.540.8950 / FAX 714.540.5415

CUSTOMER: \_\_\_\_\_

PROJECT: \_\_\_\_\_

PREPARED BY: \_\_\_\_\_

SUBMITTAL DATE: \_\_\_\_\_

JOB No.: \_\_\_\_\_

SHEET NO.: \_\_\_\_\_