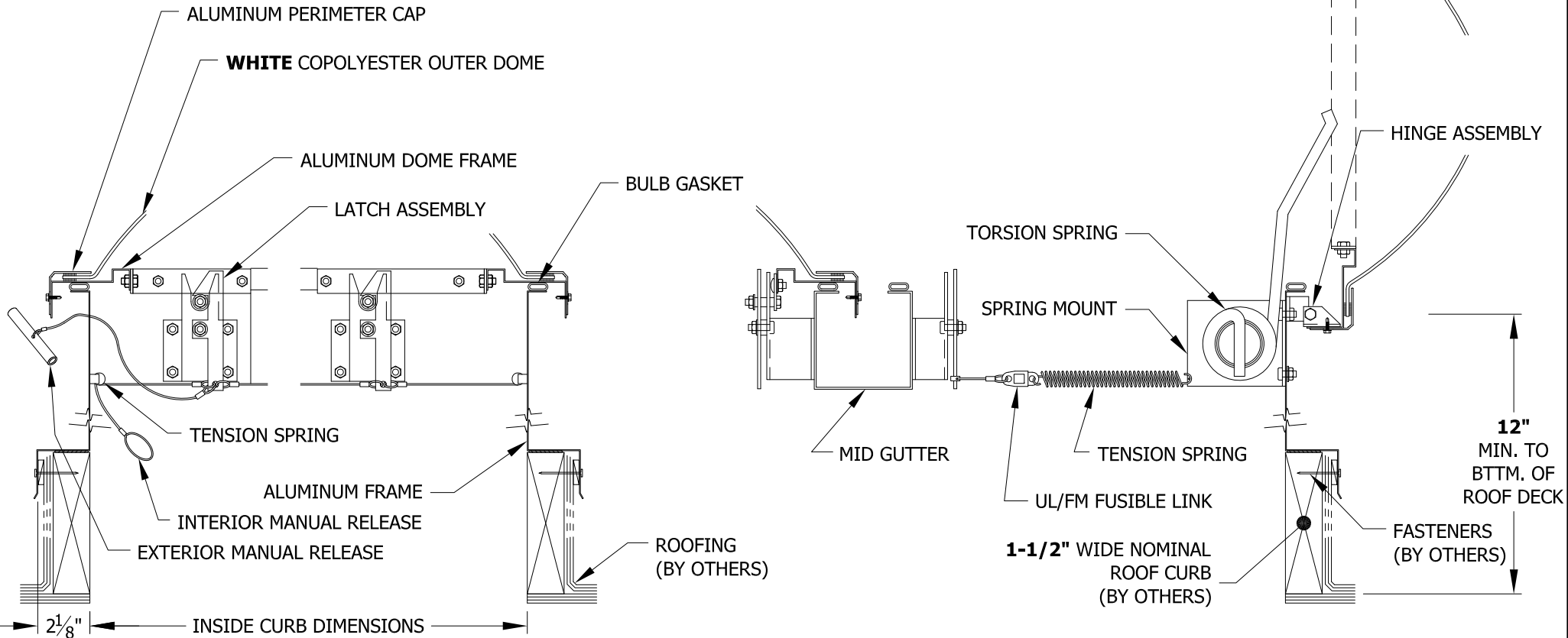
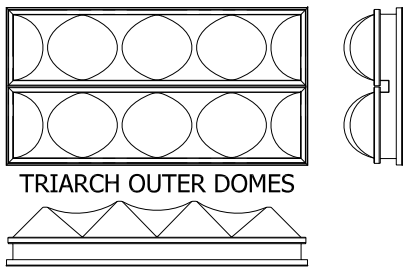


BRISTOLITE COPOLYESTER GLAZING HAS BEEN LOAD TESTED AND COMPLIES WITH OSHA - CFRS FOR FALL PROTECTION.

TRITUFF COPOLYESTER ALUMINUM "ECO" DOUBLE LID CURB MOUNTED TRIARCH SMOKE VENT



MODEL: ECO-SVAH-CM-1-HS1-M3-MF
(NOT TO SCALE)
MANUFACTURED & TESTED TO 'UL 793' STANDARD

DOME MATERIAL TESTED IN CONFORMANCE WITH:
 - HIGH WIND RESISTANT - DOME OF THIS UNIT HAS EXCEEDED 90MPH UPLIFT IN TESTING.
 - BURN RATE - COPOLYESTER MATERIAL CLASSIFIED AS CC1 MATERIAL.
 - TESTED AND MET LOAD REQUIREMENTS PER OSHA 29 CFR 1910.23 (e) (8).
 - TESTED AND MET REQUIREMENTS AS DESCRIBED IN STANDARDS PRESENTATION TO CALIFORNIA OCCUPATIONAL SAFETY AND HEALTH STANDARDS BOARD - STATE STANDARD, TITLE 8, CHAPTER 4, SECTION 1632 (REPORT NUMBER 3075015-1).
 - TESTING PERFORMED ON 48" x 96" TRIARCH DOME.

MODEL NUMBER	INSIDE CURB DIMENSIONS	QTY
RECTANGLE		
4896-ECO-SVAH	48" x 96"	
6072-ECO-SVAH	60" x 72"	

NOTE:

- CORROSION RESISTANT CONSTRUCTION IS USED THROUGHOUT THE UNIT.
- FRAME MATERIAL IS .090" THK. ALUMINUM
- GASKETED DOORS ARE FORMED COPOLYESTER DOMES
- DOORS WILL OPEN AGAINST 10 LB.PER SQ.FT. SNOW OR WIND LOAD.
- FUSIBLE LINK AVAILABLE IN FOLLOWING: 165°, 212°, 286°, 360°, 520°. U.N.O, 165° WILL BE SUPPLIED.
- UNITS EQUIPPED w/BOTH OUTSIDE & INSIDE MANUAL RELEASES.

UL LISTED

FUSIBLE LINK TEMPERATURES:

○ 165° ○ 212°
 ○ 286° ○ 360°
 ○ 520°

Bristolite® Daylighting Systems

401 East Goetz Avenue, Santa Ana, CA. 92707
 TEL 714.540.8950 / FAX 714.540.5415

CUSTOMER: _____

PROJECT: _____

PREPARED BY: _____

SUBMITTAL DATE: _____

JOB No.: _____

SHEET No.: _____