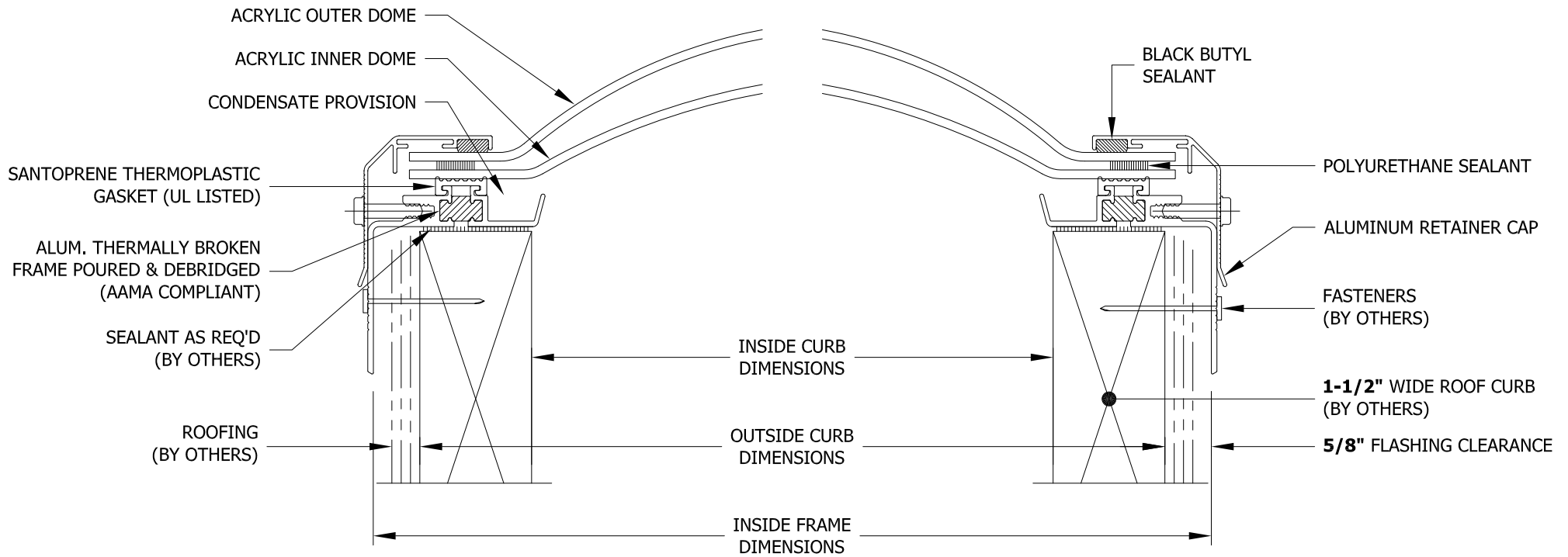


# ALUMILITE ACRYLIC ALUMINUM THERMALLY BROKEN CURB MOUNTED SKYLIGHT

**NFRC: CERTIFIED**  
**IECC 2015:** MEETS WITHOUT CONTROLS CLIMATE ZONE 1, MEETS WITH CONTROLS CLIMATE ZONES 2-8  
**OSHA:** MEETS CFR FALL REGULATIONS



MODEL: ALT-CM-2 (NOT TO SCALE)		MODEL NUMBER	INSIDE CURB DIMENSIONS	QTY	MODEL NUMBER	INSIDE CURB DIMENSIONS	QTY	MODEL NUMBER	INSIDE CURB DIMENSIONS	QTY	
		SQUARE			RECTANGLE			RECTANGLE - (cont.)			
		1414-ALT-CM	14 1/4" x 14 1/4"		1422-ALT-CM	14 1/4" x 22 1/4"		36120-ALT-CM	36" x 120"		
<b>OUTER ACRYLIC COLOR</b> <input type="radio"/> BRONZE (BT) <input type="radio"/> CLEAR (CC) <input type="radio"/> GREY (GT) <input type="radio"/> WHITE (WTM) <input type="radio"/> OTHER:		<b>INNER ACRYLIC COLOR</b> <input type="radio"/> BRONZE (BT) <input type="radio"/> CLEAR (CC) <input type="radio"/> GREY (GT) <input type="radio"/> WHITE (WTM) <input type="radio"/> OTHER:		1919-ALT-CM	19" x 19"		1446-ALT-CM	14 1/4" x 46 1/4"		3746-ALT-CM	37" x 46 1/4"
				2222-ALT-CM	22 1/4" x 22 1/4"		2230-ALT-CM	22 1/4" x 30 1/4"		3775-ALT-CM	37" x 75"
<b>FRAME FINISH</b> <input type="radio"/> BRONZE ANODIZED (BA) <input type="radio"/> CLEAR ANODIZED (CA) <input type="radio"/> MILL FINISH (MF) <input type="radio"/> WHITE PAINT (WP) <input type="radio"/> OTHER:				3030-ALT-CM	30 1/4" x 30 1/4"		2237-ALT-CM	22 1/4" x 37"		3859-ALT-CM	38" x 59"
				3737-ALT-CM	37" x 37"		2246-ALT-CM	22 1/4" x 46 1/4"		4669-ALT-CM	46 1/4" x 69 1/2"
<b>SPECIFICATIONS</b> VLT:                      SHGC: U FACTOR:				4242-ALT-CM	42" x 42"		2272-ALT-CM	22 1/4" x 72"		4689-ALT-CM	46 1/4" x 89 1/2"
				4646-ALT-CM	46 1/4" x 46 1/4"		2296-ALT-CM	22 1/4" x 96"		4872-ALT-CM	48" x 72"
				4848-ALT-CM	48" x 48"		2448-ALT-CM	24" x 48"		4884-ALT-CM	48" x 84"
				5555-ALT-CM	55" x 55"		2496-ALT-CM	24" x 96"		4896-ALT-CM	48" x 96"
				6060-ALT-CM	60" x 60"		3037-ALT-CM	30 1/4" x 37"		48120-ALT-CM	48" x 120"
				7070-ALT-CM	70 1/4" x 70 1/4"		3046-ALT-CM	30 1/4" x 46 1/4"		5460-ALT-CM	54" x 60"
				7575-ALT-CM	75" x 75"		3069-ALT-CM	30 1/4" x 69 1/2"		6072-ALT-CM	60" x 72"
				8484-ALT-CM	84" x 84"		3096-ALT-CM	30 1/4" x 96"		6084-ALT-CM	60" x 84"
				9292-ALT-CM	92 1/2" x 92 1/2"		3496-ALT-CM	34" x 96"		6096-ALT-CM	60" x 96"
				CALL FOR ADDITIONAL SIZES			3696-ALT-CM	36" x 96"		CALL FOR ADDITIONAL SIZES	

<b>Bristolite® Daylighting Systems</b>  401 East Goetz Avenue, Santa Ana, CA. 92707 TEL 714.540.8950 / FAX 714.540.5415	CUSTOMER:	PREPARED BY:	QUOTE No.:
	PROJECT:	SUBMITTAL DATE:	SHEET NO.: