

REPORT OF

PRODUCT EVALUATION

CONDUCTED ON A

SKYLIGHT DOME

FOR

BRISTOLITE SKYLIGHTS
401 E. GOETZ AVENUE
PO BOX 2515
SANTA ANNA, CA 92707

REPORT PREPARED BY

INTERTEK TESTING SERVICES NA LTD.
1500 BRIGANTINE DRIVE
COQUITLAM, BC V3K 7C1
CANADA

REPORT NUMBER: 3075015-1

DATE: MAY 18, 2005



Intertek Testing Services NA Ltd.

1500 Brigantine Drive, Coquitlam, BC V3K 7C1

Telephone: 604-520-3321 Fax: 604-524-9186 Web: www.intertek-etlsemko.com

TABLE OF CONTENTS

TABLE OF CONTENTS	1
PREFACE	2
INTRODUCTION	3
PRODUCT DESCRIPTION	3
TEST PROCEDURES.....	3
TEST RESULTS	3
CONCLUSION	4
APPENDIX A DRAWING.....	1 page

PREFACE

All services undertaken are subject to the following general policy:

1. This report is for the exclusive use of Intertek Testing Services NA Ltd.'s (Intertek's) client and is provided pursuant to the agreement between Intertek and its client. Intertek's responsibility and liability are limited to the terms and conditions of the agreement. Intertek assumes no liability to any party, other than to the client in accordance with the agreement, for any loss, expense or damage occasioned by the use of this report.
2. Only the client is authorized to copy or distribute this report and then only in its entirety. Intertek must first approve any use of the Intertek's name or one of its marks for the sale or advertisement of the tested material, product or service in writing.
3. The observations and test results in this report are relevant only to the sample tested. This report by itself does not imply that the material, product or service is or has ever been under an Intertek certification program.

INTRODUCTION

Intertek Testing Services NA Ltd. (Intertek) has performed a Load Test on an Acrylic Dome Skylight. Testing was conducted on April 26 and May 6, 2005.

The tests were performed in accordance with procedure outlined in *Standard Presentation to California Occupational Safety and Health Standards Board – Proposed State Standard, Title 8, Chapter 4* section 1632.

PRODUCT DESCRIPTION

- Series** • SS-CM-HS1-MF
- Designation** • Dome Skylight
- Frame** • Frame: 20 gauge galvanized steel (0.039" thick)
• Corners: mitred and welded
• Installation: the system was secured to the 2 x 6 test frame through the outer flange about the entire perimeter using #12 x 1-1/2" screws spaced at approximately 12" (305 mm)
- Overall Size** • Width: 51-1/2" (1308 mm)
• Length: 99-1/2" (2527 mm)
- Dome** • Material – "TriTuff" Trans-White Solarex SV
• Dimensions before forming - .188" x 49.50" x 98"
• Dome was secured about its perimeter to the galvanized steel frame using 0.1865" diameter x 3/4" SS Tek screws spaced at 11" apart along the long sides of the skylight and 14" apart along the short sides of the skylight
- Drawings** • Set of drawings stamped "Intertek Testing Services" included in Appendix A of this report

TEST PROCEDURE

The sample was installed into a 2 x 6 SPF lumber frame. A hydraulic cylinder with a load transducer (Intertek ID# D2723) and a 12" x 12" (305 mm x 305 mm) 3/4" plywood loading plate, were used to load the dome of the skylight. All loads were placed at the center top of the dome.

TEST RESULTS

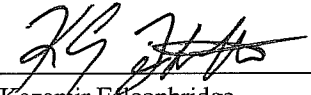
Load (lbs)	Pass / Fail	Comments
400	Pass	Held for 1 minute.
790	Pass	Dome pushed below 2 x 6 frame
2500	Fail	Acrylic failed and plate punched through

CONCLUSIONS

The skylight system described in this report, met the minimum requirements of being capable of safely supporting 400 lbs imposed on one square foot of area.

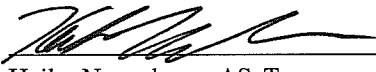
INTERTEK TESTING SERVICES NA LTD.

Tested by:



Kazamir Falconbridge
Technologist, Fenestration Products

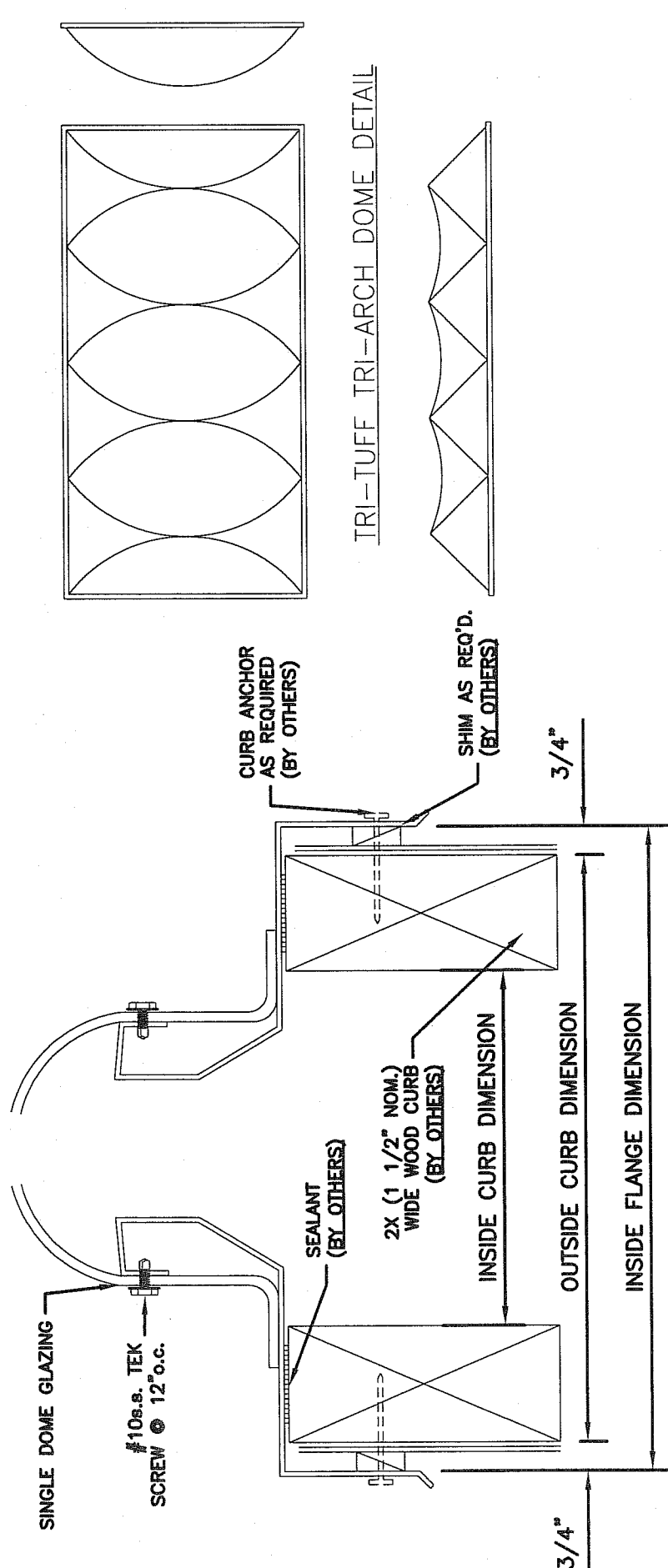
Reviewed by:



Heiko Neugebauer ASCT
Team Leader, Fenestration Products

HN/jm

APPENDIX A
(Drawing -1 Page)



TRI-TUFF TRI-ARCH DOME DETAIL

CURB MOUNTED SKYLIGHT

MODEL : SS-CM-HS1-MF
 N.T.S.
 SS - GALVANIZED STEEL FRAME
 CM - CURB MOUNTED
 HS1 - TRI-TUFF TRI-ARCH DOME
 MF - MILL FINISH

MODEL NUMBER	INSIDE CURB DIMENSIONS	QTY
4848-SS-CM	48" x 48"	
4896-SS-CM	48" x 96"	

RECTANGULAR

DOMES MATERIAL TESTED IN CONFORMANCE WITH:
 HIGH WIND RESISTANT-DOME OF THIS UNIT HAS EXCEEDED 90MPH UP-LIFT IN TESTING
 BURN RATE-CLASSIFIED AS CC1 MATERIAL

CUSTOMER :
 PROJECT :

PREPARED BY :
 SUBMITTAL DATE :

JOB NO :
 ARCHITECT :

Bristolite Skylights
 401 East Goetz Avenue
 Santa Ana, California 92707
 © 714.540.8950 / FAX 714.540.5415