

Solar Breeze

Attic Fans



Roof Mount
(10, 20, 30 or 50 watts)

Qualifies for **SOLAR TAX CREDITS**

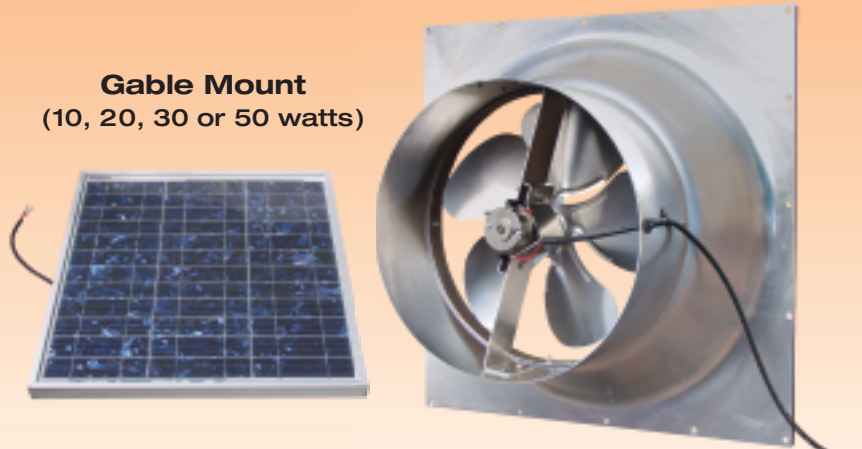
Eligible for Federal **Solar Tax Credits** for units placed in service on 6/1/09 thru 12/31/16. It may also qualify for local and state solar and utility credits.



Curb Mount
(20, 30 or 50 watts)

Attic venting is an important aspect in maintaining a healthy energy efficient home. Proper venting cools your roof extending the material life and reduces the load on your air conditioning system. Attic venting also increases fresh air circulation. Powered completely by free solar energy, this sleek and efficient vent is both compact and quiet. Fully operational right from the box, it installs easily, with no electrical wiring. And let's not forget powerful! Operating up to 850 cfms, a single 10 watt unit can fully vent up to 1,200 square feet. And our NEW 50 watt units have an unmatched venting capacity of up to 3,100 square feet (up to 1,900 cfms).

Gable Mount
(10, 20, 30 or 50 watts)

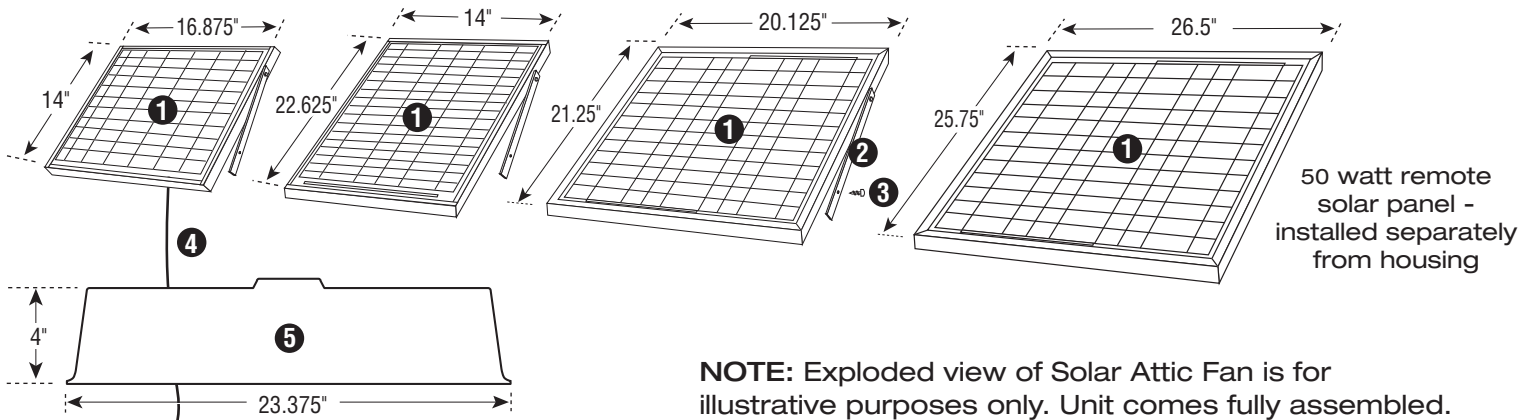


Bristolite® Daylighting Systems
harnessing sunlight for energy savings

800.854.8618
www.bristolite.com

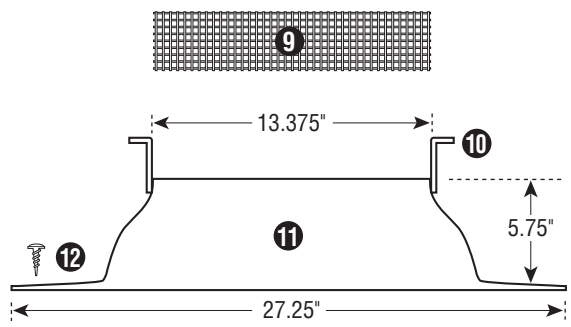
25 YEAR WARRANTY



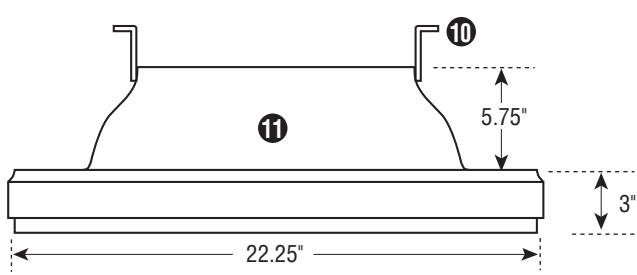


1. Custom Solar Panel (10, 20, 30 or 50 watt available)*
 2. (2) Adjustable Solar Panel Bracket
 3. (2) #8 x .75" Self-Tapping Screws
 4. 18 Gauge Tinned Copper Wire Lead
 5. Commercial Pure Grade Aluminum Shroud
 6. Custom DC Motor
 7. Motor Bracket Assembly
 8. Air Driven Precision Pitch 5 Blade Fan
 9. 3.25" x 48" Stainless Steel Wire Mesh
 10. (4) Rugged 14 Gauge Shroud Support Bracket
 11. Commercial Pure Grade Aluminum Flashing
 12. (6) #6 x 1.5" Stainless Steel Phillips Head Screws
- *solar panel dimensions may vary slightly

OPTIONAL ACCESSORY:
 Thermal Snap Switch available to automatically turnoff unit during colder months.

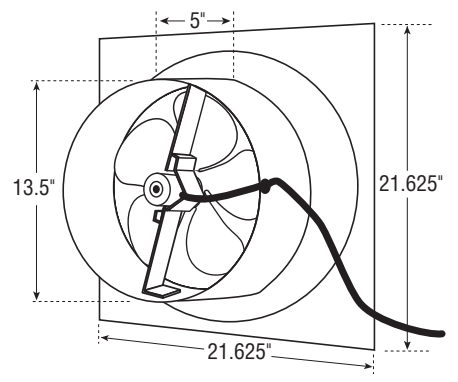


ROOF MOUNT FLASHING



CURB MOUNT FLASHING

GABLE MOUNT HOUSING



Model	cfm Output	Venting Capacity
10 watt	up to 850 cfms	up to 1,200 sq. ft.
20 watt	up to 1,275 cfms	up to 2,000 sq. ft.
30 watt	up to 1,550 cfms	up to 2,500 sq. ft.
50 watt	up to 1,900 cfms	up to 3,100 sq. ft.