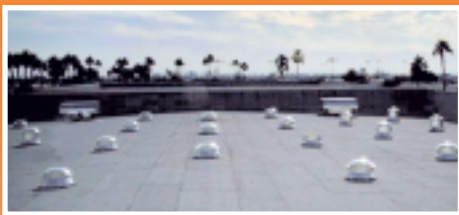


# Quasar Reach

## Drop Ceiling Skylights

Dark warehouses and commercial office buildings are no match for Quasar Reach 21" tubular skylights. Installed on virtually any type of roof surface in under two hours, our 21" commercial units are capable of delivering up to 1,450 watts of light without heat gain or the heat loss of a standard framed-in skylight.



Curb Flashing

Transition Box

**LIGHT OUTPUT:**

Illuminates up to 700 sf  
Equivalent of up to 1,450 watts

**FLASHING TYPES:**

Flat Roof Flashing  
Curb Mount Flashing

**LIGHT FIXTURES:**

Transition Box for Drop Ceilings  
Warehouse Trim Ring  
Standard Ceiling Trim Ring

**AVAILABLE ACCESSORIES:**

Electric Light Kit  
Dimmer Kit  
Additional Light Pipe  
Angle Adapter



Prismatic



SkyBrite



Flat Roof Flashing



Standard Trim Ring



Warehouse Trim Ring



Prismatic



Standard

**Bristolite® Daylighting Systems**  
harnessing sunlight for energy savings

**800.854.8618**

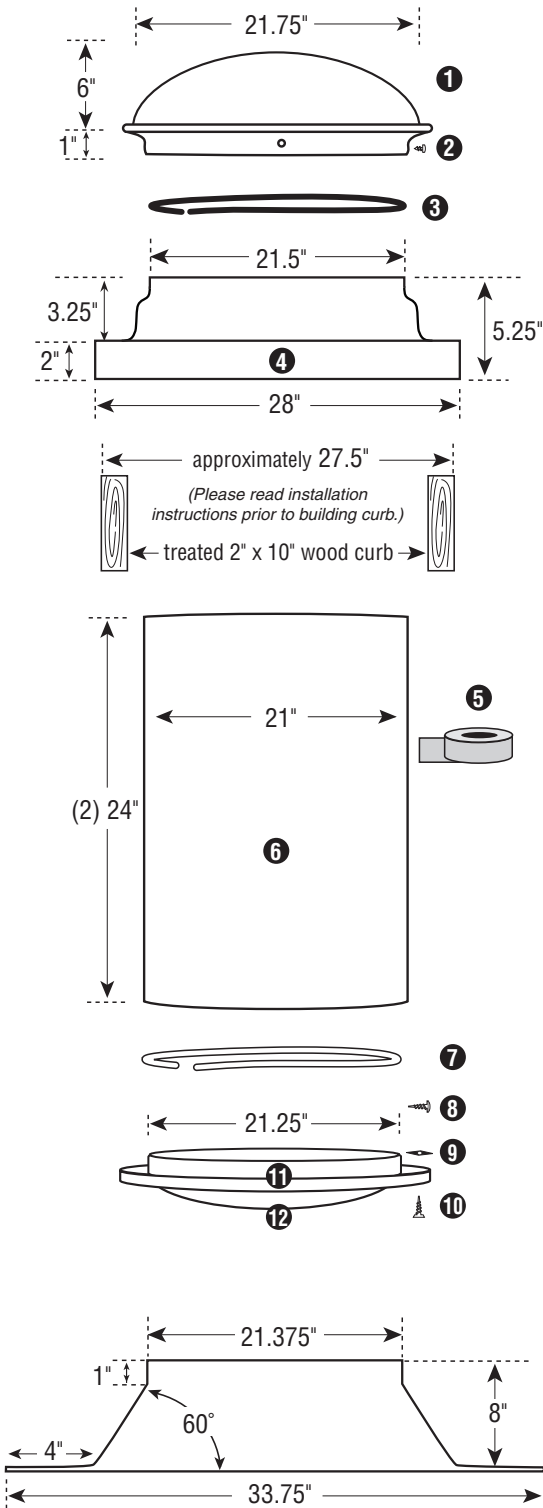
[www.bristolite.com](http://www.bristolite.com)

**25** YEAR **WARRANTY**



Made in USA

### 21" MODEL



### Quasar Reach PART DESCRIPTIONS:

1. Clear UV Protected, 100% High Impact Modified Acrylic Dome
2. (4) Phillips Head Stainless Steel 1/4" Sheet Metal Screws
3. Black Nylon Horse Hair Gasket (Self-Adhesive)
4. Commercial Pure Grade Aluminum Flashing
5. Heavy Duty Foil Tape
6. Light Pipe, (2) 24" Sections per Kit
7. White Nylon Horse Hair Gasket (Self-Adhesive)
8. (6) Tek Screws
9. (3) Black Speed Nuts
10. (3) 1 1/2" Phillips Head Screws
11. White Powder Coated Aluminum Trim Ring/Ceiling Ring
12. High Impact Acrylic Diffuser

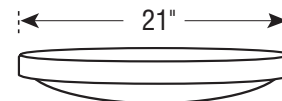
### TRANSITION BOX

for drop ceiling installations



### WAREHOUSE TRIM RING

for suspended installations in open ceilings



| Model | Coverage     | Wattage     | Max Tube Length |
|-------|--------------|-------------|-----------------|
| 21"   | up to 700 sf | up to 1,450 | 20 feet         |

Bristolite® Daylighting Systems  
harnessing sunlight for energy savings

**800.854.8618**

[www.bristolite.com](http://www.bristolite.com)

401 East Goetz Avenue, Santa Ana, CA 92707