

REPORT OF

PRODUCT EVALUATION

CONDUCTED ON A

SKYLIGHT DOME

FOR

**BRISTOLITE SKYLIGHTS
401 E. GOETZ AVENUE
PO BOX 2515
SANTA ANNA, CA 92707**

REPORT PREPARED BY

**INTERTEK TESTING SERVICES NA LTD.
1500 BRIGANTINE DRIVE
COQUITLAM, BC V3K 7C1
CANADA**

REPORT NUMBER: 3075015-3

DATE: MAY 18, 2005



Intertek Testing Services NA Ltd.

1500 Brigantine Drive, Coquitlam, BC V3K 7C1

Telephone: 604-520-3321 Fax: 604-524-9186 Web: www.intertek-etlsemko.com

TABLE OF CONTENTS

TABLE OF CONTENTS	1
PREFACE	2
INTRODUCTION	3
PRODUCT DESCRIPTION	3
TEST PROCEDURES.....	3
TEST RESULTS	3
CONCLUSION	4
APPENDIX A DRAWING.....	1 page

PREFACE

All services undertaken are subject to the following general policy:

1. This report is for the exclusive use of Intertek Testing Services NA Ltd.'s (Intertek's) client and is provided pursuant to the agreement between Intertek and its client. Intertek's responsibility and liability are limited to the terms and conditions of the agreement. Intertek assumes no liability to any party, other than to the client in accordance with the agreement, for any loss, expense or damage occasioned by the use of this report.
2. Only the client is authorized to copy or distribute this report and then only in its entirety. Intertek must first approve any use of the Intertek's name or one of its marks for the sale or advertisement of the tested material, product or service in writing.
3. The observations and test results in this report are relevant only to the sample tested. This report by itself does not imply that the material, product or service is or has ever been under an Intertek certification

INTRODUCTION

Intertek Testing Services NA Ltd. (Intertek) has performed a Load Test on a Fibreglass Dome Skylight. Testing was conducted on April 26 and May 6, 2005.

The tests were performed in accordance with procedure outlined in *Standard Presentation to California Occupational Safety and Health Standards Board – Proposed State Standard, Title 8, Chapter 4* section 1632.

PRODUCT DESCRIPTION

- Series** • ES-CMG-1-ESA-IR-HW-MF
- Designation** • Dome Skylight
- Frame** • Frame: extruded aluminum
• Corners: mitred and welded
• Installation: the system was secured to the 2 x 6 test frame through the outer flange about the entire perimeter using #12 x 1-1/2" screws spaced at approximately 12" (305mm)
- Overall Size** • Width: 51-1/2" (1308 mm)
• Length: 99-1/2" (2527 mm)
- Dome** • Opaque molded fibreglass and acrylic
• Thickness: 0.094"
• Dome was secured about its perimeter to the galvanized steel frame using 0.1880" diameter x 1" SS HEX head screws spaced at 20" to 23-1/2" apart
- Drawings** • Set of drawings stamped "Intertek Testing Services" included in Appendix A of this report

TEST PROCEDURE

The sample was installed into a 2 x 6 SPF lumber frame. A hydraulic cylinder with a load transducer (Intertek ID# D2723) and a 12" x 12" (305 mm x 305 mm) 3/4" plywood loading plate, were used to load the dome of the skylight.

TEST RESULTS


Load (lbs)	Pass / Fail	Comments
400	Pass	Held for 1 minute, slight surface cracking of acrylic shell material
700	Pass	Dome pushed fully inverted
2200	Fail	Fibreglass broke tearing it.

CONCLUSIONS

The skylight system described in this report, met the minimum requirements of being capable of safely supporting 400 lbs imposed on one square foot of area.


INTERTEK TESTING SERVICES NA LTD.

Tested by:



Kazamir Falconbridge
Technologist, Fenestration Products

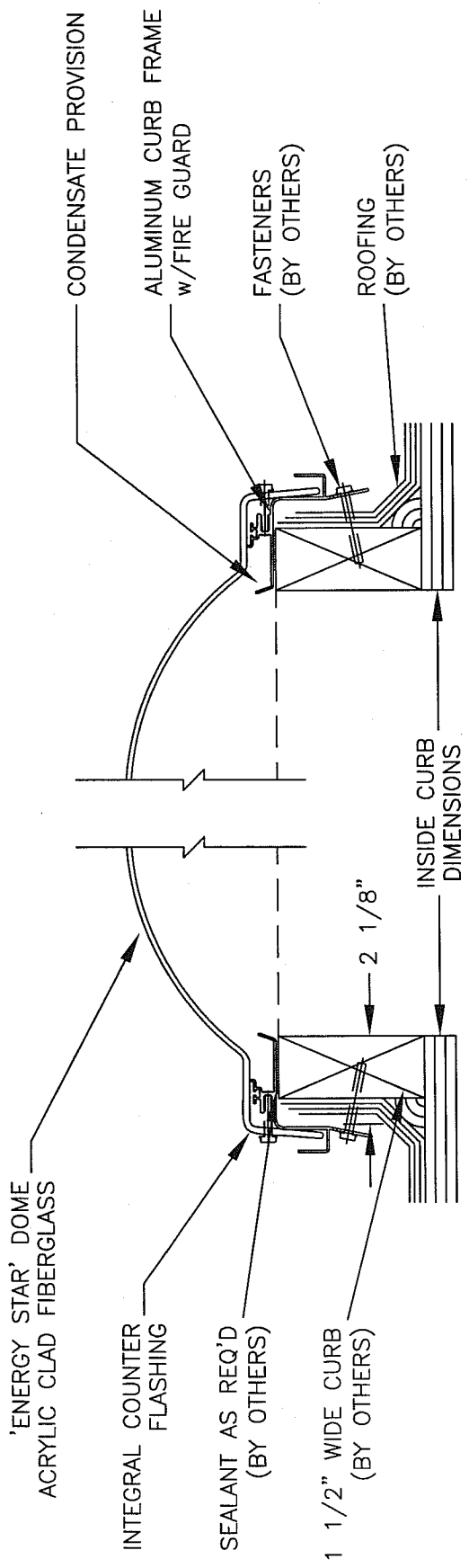
Reviewed by:



Heiko Neugebauer ASCT
Team Leader, Fenestration Products

HN/jm

APPENDIX A
(Drawing -1 Page)



'ENERGY STAR' CURB MOUNTED SKYLIGHT

MODEL : ES-CMG-1-ESA-IR-HW-MF
SCALE : 3" = 1'-0"

ES-ENERGY STAR
CMG-CURB MOUNTED w/GUARD
1-SINGLE GLAZED
ESA-ES ACRYLIC CLAD FIBERGLASS
IR-IMPACT RESISTANT
HW-HIGH WIND
MF-MILL FINISH

MODEL SIZE	INSIDE CURB DIMENSIONS	QTY
4848	47 1/2" x 47 1/2"	
4896	47 1/2" x 95 1/2"	
6072	59 1/2" x 71 1/2"	

DOMES MATERIAL TESTED IN CONFORMANCE WITH:
*OSHA FALL PROTECTION-MEETS OSHA STANDARD 29 CFR 1926.502
HIGH WIND RESISTANT-DOME OF THIS UNIT HAS EXCEEDED 90MPH UPLIFT IN TESTING
*FALL PROTECTION TESTING HAS BEEN PERFORMED ON BRISTOLITE'S 48" x 96" DOMES

Bristolite® Skylights
401 East Goetz Avenue
Santa Ana, California 92707
714.540.8950 / FAX 714.540.5415

CUSTOMER :
PROJECT :

PREPARED BY :
JOB NO :
SUBMITTAL DATE :
ARCHITECT :