

Solar Breeze

Attic Fans

Installation Instructions



WARNING: Please take the time to read through the ENTIRE instructions prior to starting any work. Not following the instructions will invalidate the warranty.

Installation should only be completed by individuals skilled with the necessary tools for installation. If you doubt your skills, please consult a qualified installer.

Tools Needed...

- Caulking Gun
- Drill
- Flat Bar
- Hammer
- Marking Pencil
- Measuring Tape
- Reciprocating Saw
- Safety Goggles
- Screwdriver
- Stud Finder
- String
- Utility Knife

Important Precautions...

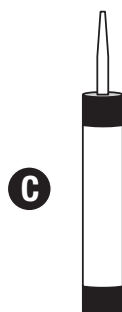
- The Solar Breeze Attic Fan is fully functional out of the box. **THE FAN WILL OPERATE AS SOON AS THE SOLAR PANEL IS EXPOSED TO THE SUN. PLEASE USE CAUTION AND AVOID THE FAN BLADES DURING INSTALLATION.**
- Ensure normal safety precautions are taken when using tools and walking on roofs.
- Do not cut any structural members in the house.
- Measure twice and cut once.

Helpful Hints...

- When determining location of the unit, try to place the flashing unit on the south side of the roof, also consider potential problems such as objects shading the unit during certain times of the day.
- Installation of the unit should be centered on the roof.
- The center of the unit should be about 2 feet down from the roof ridge

Components and Hardware Parts List:

- A. Solar Breeze attic fan unit
- B. (6) #6 Phillips head stainless steel 1 1/2" screws
- C. Caulk

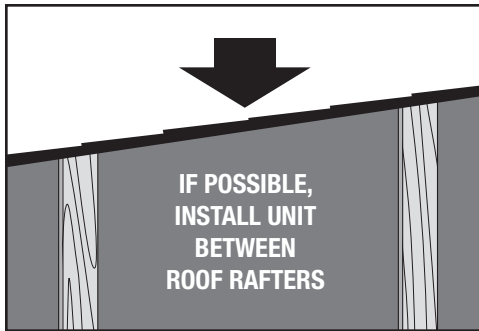


Installation...

Please allow about an hour for installation. Components and hardware are referenced in each step to the corresponding letters on parts list (on front page).

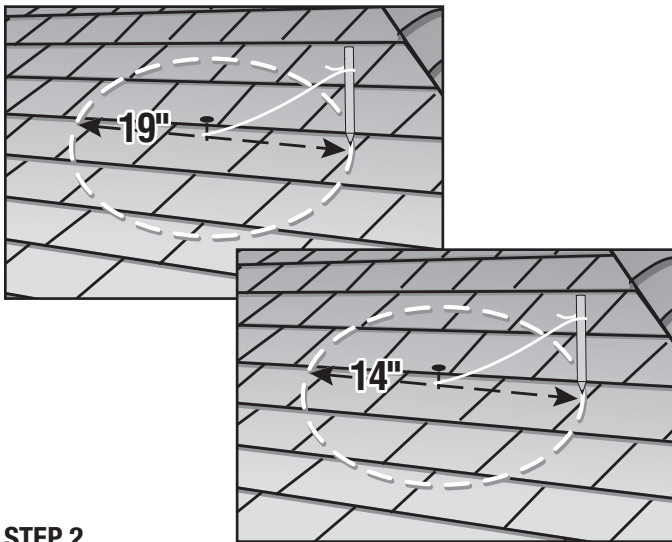
IMPORTANT NOTE:

Roof rafters are generally 16" or 24" on center. On 16" on center construction, the installer can either cut a 14" hole between the rafters or cut a 19" hole with the roof rafter running through the cut hole. On 24" on center construction, cut a 19" hole between the roof rafters. **Follow the steps for the opening size needed for your specific application.**



STEP 1

Choose location for the Solar Breeze Attic Fan unit, south exposure is best. If a southern exposure is not feasible for your installation, the fan can be installed on any other exposure and the solar panel adjusted to capture maximum sunlight.

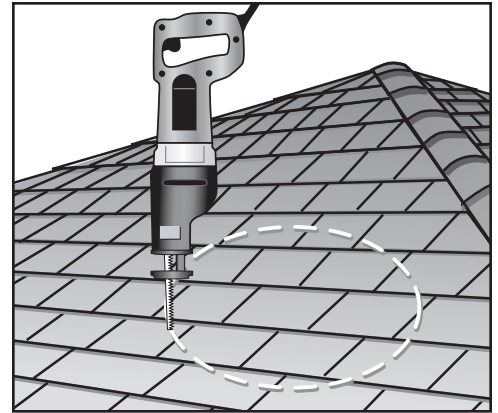


STEP 2

Hammer a nail at the center of the location chosen between rafters for the Solar Breeze Attic Fan. The center of the unit should be about 2 feet down from the ridge.

19" HOLE: Attach a string to the nail. Measure 9.5" of string and attach a marking pen to the string, see diagram. Scribe a 19" circle onto the roof shingles.

14" HOLE: Attach a string to the nail. Measure 7" of string and attach a marking pen to the string, see diagram. Scribe a 14" circle onto the roof shingles



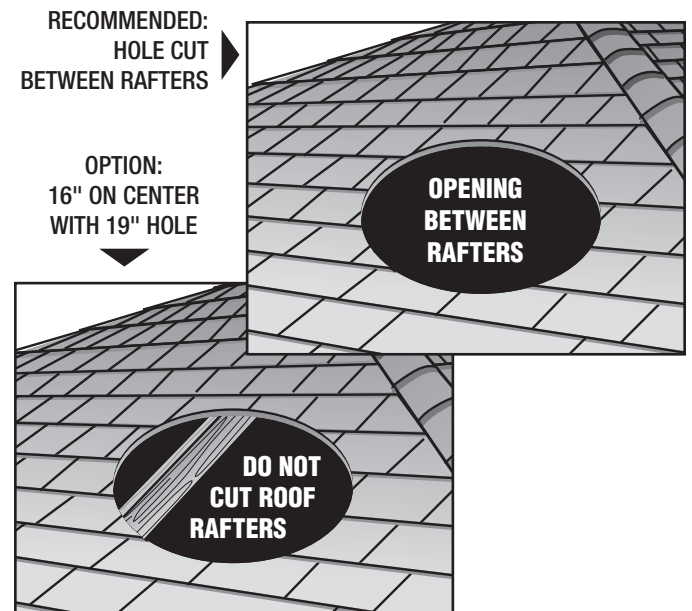
STEP 3

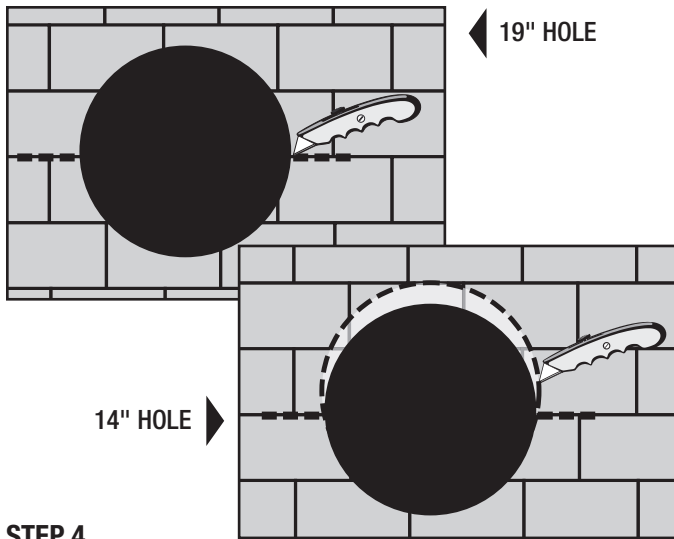
With a reciprocating saw, cut the diameter of the hole. **NEVER CUT THROUGH ANY ROOF RAFTERS. LEAVE ALL FRAMING MEMBERS IN PLACE.**

19" HOLE: On 24" on center construction, center the fan between the rafters.

14" HOLE: On 16" on center construction, the installer can either cut a 14" hole between the rafters or cut a 19" hole with the roof rafter running through the cut hole - do not cut the rafter (see illustration below).

IMPORTANT: The Solar Breeze Attic Fan must be installed between the roof rafters **OR** over a roof rafter. **DO NOT CUT THROUGH ANY FRAMING MEMBER.** Only remove roof sheathing.

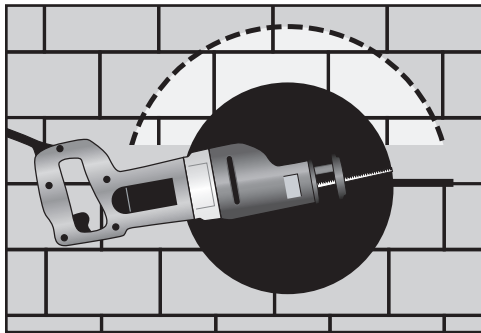




STEP 4

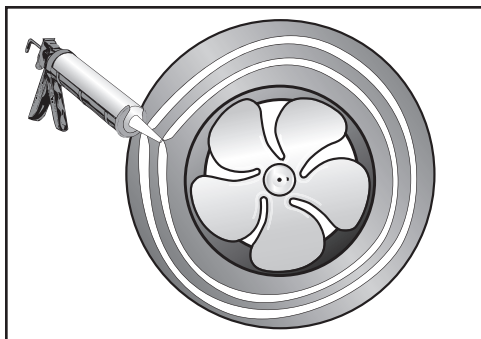
19" HOLE: With a razor knife, cut a four inch slit through the shingles and tar paper at the three and nine o'clock position of the flashing. This allows for the foot print of the flashing to be inserted under the shingles.

14" HOLE: Additional shingles may also need to be removed on the high side towards the ridge to allow the flashing to slide over the hole (see 14" HOLE Illustration above).



STEP 5

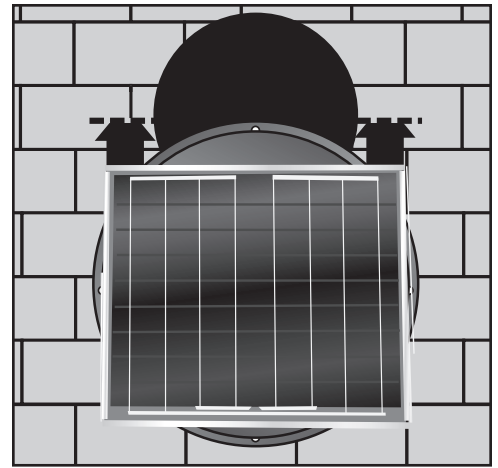
Insert the reciprocating saw blade sideways at the three o'clock position and start cutting the roofing nails up and around to the nine o'clock position. This process removes the nails that will prevent the flashing footprint from sliding up underneath the shingles.



STEP 6

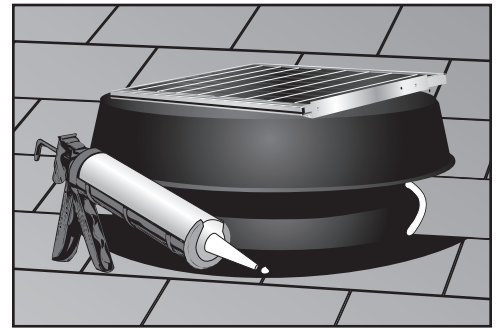
Caulk underside of flashing with the provided caulking material (C). Two concentric rings of caulking material is sufficient.

NOTE: Installation on tile roofs will require the use of a skirt.



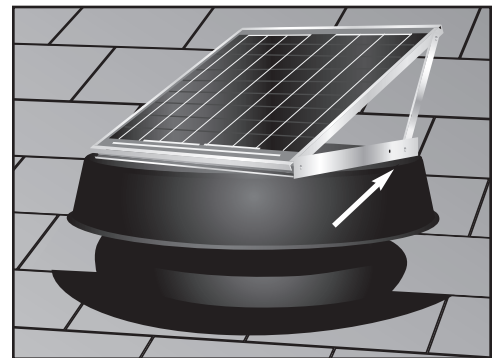
STEP 7

Taking care not to smear caulk on the exposed shingles, slide flashing under tar paper and shingles and force flashing up until the shingles come in contact with the raised portion of the flashing. The bottom side of the flashing will be on top of the shingles. Secure flashing with four Phillips head screws (B) at the 3:00, 6:00, 9:00 and 12:00 positions. The 3:00 and 9:00 positions screws should go under the shingles. The 6:00 and 12:00 position screws should go on top of the shingles.



STEP 8

At the 6:00 and 12:00 positions, caulk over the screw head, since it will be exposed to the weather. Use remaining caulk to seal the areas where the 4" slits were made and around the area where the shingles meet with the raised area of the flashing.



STEP 9

Remove the screw located on each side of the solar panel bracket. Adjust the solar panel to the position it will collect the most sunlight throughout the day. Re-insert screws and tighten at the desired position.

Please fill out the date you purchased the Solar Breeze Attic Fan on the warranty certificate below and save for your records

SOLAR BREEZE WARRANTY

The Solar Breeze Attic Fan has a 25 year warranty against manufacturers defects.

IMPORTANT: Please complete and mail the registration card below as soon as your Solar Breeze Attic Fan is installed. This warranty will serve as proof of your purchase, should you misplace your original invoice.

The manufacturer warrants this product and its components to be free from defects in material and manufacturer's workmanship for a period of twenty five years from the date of installation. This warranty is subject to proper installation of the unit in accordance with the manufacturer's written installation instructions. The manufacturer will not be liable for any special, incidental or consequential damages in any way related to, or arising out of, defects in, or damage to, the Solar Breeze Attic Fan.

This warranty gives you specific legal rights, and you may have other rights which vary from state to state concerning exclusion or limitation of incidental or consequential damages.

Date purchased: _____

- Please contact us if you have any questions or to purchase additional accessories. -

Bristolite® Daylighting Systems
harnessing sunlight for energy savings

800.854.8618

www.bristolite.com

401 East Goetz Avenue, Santa Ana, CA 92707

REGISTRATION CARD

Customer name: _____

Where unit was purchased: _____ Date purchased: _____

Street address: _____

City: _____ State: _____ Zip: _____

Phone: _____ Email: _____

Please fill out the registration card and mail to:

Solar Breeze Fan Registration
401 E. Goetz Avenue
Santa Ana, CA 92707

Are you satisfied with the performance of the Solar Breeze Attic Fan? Yes No

Are you interested in other eco-friendly home products? Yes No

To help us improve our products, please include any comments:

Solar Breeze
Attic Fans