



MIAMI-DADE COUNTY
BUILDING CODE COMPLIANCE OFFICE (BCCO)
PRODUCT CONTROL DIVISION

MIAMI-DADE COUNTY, FLORIDA
METRO-DADE FLAGLER BUILDING

140 WEST FLAGLER STREET, SUITE 1603
MIAMI, FLORIDA 33130-1563
(305) 375-2901 FAX (305) 375-2908

NOTICE OF ACCEPTANCE (NOA)

www.miamidade.gov

Bristol Fiberlite Industries, Inc.
401 E. Goetz Avenue
Santa Ana, CA 92707

SCOPE: This NOA is being issued under the applicable rules and regulations governing the use of construction materials. The documentation submitted has been reviewed by Miami-Dade County Product Control Division and accepted by the Board of Rules and Appeals (BORA) to be used in Miami Dade County and other areas where allowed by the Authority Having Jurisdiction (AHJ).

This NOA shall not be valid after the expiration date stated below. The Miami-Dade County Product Control Division (In Miami Dade County) and/or the AHJ (in areas other than Miami Dade County) reserve the right to have this product or material tested for quality assurance purposes. If this product or material fails to perform in the accepted manner, the manufacturer will incur the expense of such testing and the AHJ may immediately revoke, modify, or suspend the use of such product or material within their jurisdiction. BORA reserves the right to revoke this acceptance, if it is determined by Miami-Dade County Product Control Division that this product or material fails to meet the requirements of the applicable building code.

This product is approved as described herein, and has been designed to comply with the Florida building Code including the High Velocity Hurricane Zone.

DESCRIPTION: Self Flashing and Curb Mount Skylights

APPROVAL DOCUMENT: Drawing No. 09-025, titled "Heavy Weather Skylight ", sheets # 1 through 5 of 5, prepared by EngCo, Inc., dated January 26, 2010 signed and sealed by Pedro De Figueiredo, P.E. on June 30, 2010 bearing the Miami-Dade County Product Control Approval stamp with the Notice of Acceptance number and the approval date by the Miami-Dade County Product Control Division.

MISSILE IMPACT RATING: Large & Small Missile Impact Resistant

LABELING: Each unit shall bear a permanent label with the manufacturer's name or logo, city, state and the following statement: "Miami-Dade County Product Control Approved", unless otherwise noted herein and the dome shall be properly marked by the manufacturers of GE XL-10 and Lexan 9034.

RENEWAL of this NOA shall not be considered after a renewal application has been filed and there has been no change in the applicable building code negatively affecting the performance of this product.

TERMINATION of this NOA will occur after the expiration date or if there has been a revision or change in the materials, use, and/or manufacture of the product or process. Misuse of this NOA as an endorsement of any product, for sales, advertising or any other purposes shall automatically terminate this NOA. Failure to comply with any section of this NOA shall be cause for termination and removal of NOA.

ADVERTISEMENT: The NOA number preceded by the words Miami-Dade County, Florida, and followed by the expiration date may be displayed in advertising literature. If any portion of the NOA is displayed, then it shall be done in its entirety.

INSPECTION: A copy of this entire NOA shall be provided to the user by the manufacturer or its distributors and shall be available for inspection at the job site at the request of the Building Official.

This NOA consists of this page 1, evidence submitted page E-1 as well as approval document mentioned above. The submitted documentation was reviewed by **Helmy A. Makar, P.E., M.S.**



Helmy A. Makar
 07/28/2010

NOA No. 10-0216.02
Expiration Date: 07/28/2015
Approval Date: 07/28/2010

Bristol Fiberlite Industries, Inc.

NOTICE OF ACCEPTANCE: EVIDENCE SUBMITTED

A. DRAWINGS

1. *Drawing No. 09-025, titled " Heavy Weather Skylight ", sheets # 1 through 5 of 5, prepared by EngCo, Inc., dated January 26, 2010 signed and sealed by Pedro De Figueiredo, P.E. on June 30, 2010.*

B. TESTS

1. *Test report on Large Missile Impact Test, Cyclic Wind Pressure Test and Uniform Static Air Pressure Test on "Heavy weather Skylight", prepared by Architectural Testing, report No. 92682.01-301-18, dated 01/12/2010, signed and sealed Joshua M. Royce, PE.*

C. CALCULATIONS

1. *Anchor calculations, dated 02/08/2010, 8 pages, prepared by EngCo, Inc., signed and sealed by Pedro De Figueiredo, P.E.*

D. QUALITY ASSURANCE

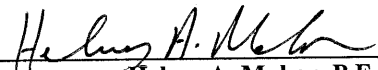
1. *By Miami-Dade County Building Code Compliance Office.*

E. MATERIAL CERTIFICATIONS

1. *Die drawings prepared by Bristol Fiberlite Industries, Inc.*

F. STATEMENTS

1. *FBC 2007 edition Code compliance letter issued by EngCo, Inc., dated 02/08/2010, signed and sealed by Pedro De Figueiredo, P.E.*



**Helmy A. Makar, P.E., M.S.
Senior Product Control Examiner**

NOA No. 10-0216.02

Expiration Date: 07/28/2015

Approval Date: 07/28/2010

GENERAL NOTES: FLORIDA BUILDING CODE 2007

1- CODE: THIS PRODUCT HAS BEEN TESTED AND DESIGNED IN ACCORDANCE WITH THE FLORIDA BUILDING CODE 2007 INCLUDING THE HIGH VELOCITY HURRICANE ZONE (HVHZ).

2- DEFINITION: THIS PRODUCT IS A SKYLIGHT UNIT MANUFACTURED WITH DUAL POLYCARBONATE SHEETS SECURED BY AN ALUMINUM FRAMING. THE PRODUCT IS CONSTRUCTED AND TESTED TO PROVIDE PROTECTION FROM HURRICANE FORCE WINDS AND WIND BORNE DEBRIS (LARGE & SMALL MISSILE) WITHIN THE ALLOWABLE DESIGNED PRESSURES AND LIMITATIONS STATED IN THIS APPROVAL.

3- POSTING:

"BRISTOL FIBERLITE INDUSTRIES, INC.
SANTA ANA - CALIFORNIA
MIAMI-DADE COUNTY PRODUCT CONTROL APPROVED"

4- DESIGN LOADS: THE DESIGNED LOADS MUST BE CALCULATED BY A PROFESSIONAL ARCHITECT OR ENGINEER FOR EACH SPECIFIC PROJECT. THE CALCULATED DESIGNED PRESSURE MUST NOT EXCEED THE PRODUCT DESIGNED RATING PRESSURE.

5- MATERIAL: ALL EXTRUDED ALUMINUM PARTS TO BE 6063-T5 ALLOY OR AS NOTED AND GLAZING TO BE APPROVED POLYCARBONATE GE XL-10 AND LEXAN 9034 AS SPECIFIED ON THIS APPROVAL.

6- FASTENERS: ASSEMBLY SCREWS AND ANCHORS SHALL BE AS SPECIFIED IN THE CURRENT SET OF DRAWINGS. INSTALLATION AND LOADS AS PER THIS APPROVAL. ANCHOR SPACING AND LOADS MUST NOT EXCEED THE MAXIMUM LIMITS SPECIFIED BY THIS APPROVAL.

7- USE: IT SHALL BE THE RESPONSIBILITY OF THE CONTRACTOR, ARCHITECT OR ENGINEER OF RECORD TO VERIFY THE FOLLOWING:

7.1- THE STABILITY OF THE STRUCTURE WHERE THE PRODUCT IS TO BE ATTACHED INSURING PROPER ANCHORAGE.

7.2- THE SITE SPECIFIC PROJECT CRITERIA, SUCH AS BUT NOT LIMITED TO, LOCAL CODE REQUIREMENTS, DESIGNED PRESSURES ETC.

7.3- THAT THIS APPROVAL IS ADEQUATE TO THE SPECIFIC PROJECT.

8- 33 1/3% INCREASE IN ALLOWABLE LOADS HAVE NOT BEEN USED IN THE DESIGN OF THE ANCHORS FOR THIS PRODUCT APPROVAL, HOWEVER, WOOD SCREWS WITH 1.6 INCREASE FOR WIND LOAD DURATION HAVE BEEN USED.

9- DISSIMILAR MATERIALS: MATERIALS, INCLUDING BUT NOT LIMITED TO STEEL, THAT COME IN CONTACT WITH OTHER DISSIMILAR MATERIALS SHALL MEET THE REQUIREMENTS OF 5007 FLORIDA BUILDING CODE.

10- ALL ROOFING DETAIL SHALL COMPLY WITH CHAPTER 15 OF THE FLORIDA BUILDING CODE 2007 ED.

11- MOUNTING: THE UNIT SKYLIGHT MUST BE INSTALLED AT LEAST 4' ABOVE THE PLANE OF THE ROOF WITH EXCEPTION FOR UNITS INSTALLED ON ROOFS HAVING A MINIMUM 25% SLOPE IN OCCUPANCIES IN GROUP R-3 AND ON BUILDINGS WITH A NONCLASSIFIED ROOF COVERING. USE THE 4' MINIMUM HIGH CURB FOR SHINGLE & BUR. WITHOUT INSULATION AND FOR INSULATION AND TILE ADD THE TILE HEIGHT AND THE INSULATION THICKNESS TO THE 4' MINIMUM HEIGHT.

DESIGNED RATING:

MAXIMUM SIZE: 64 1/16" X 100 1/16"
MAXIMUM CLEAR OPENING: 60" X 96"
POSITIVE WIND PRESSURE: +55 PSF
NEGATIVE WIND PRESSURE: -65 PSF
LARGE & SMALL MISSILE IMPACT RESISTANT

TABLE OF CONTENTS

SHEET	CONTENTS
1	GENERAL NOTES, DESIGN RATING & TABLE OF CONTENTS
2	OPTION 1: SELF FLASHING MOUNT (MAXIMUM 12")
3	OPTION 2: SELF FLASHING MOUNT (W/ CF-6 BASE)
4	OPTION 3 CURB MOUNT
5	COMPONENTS

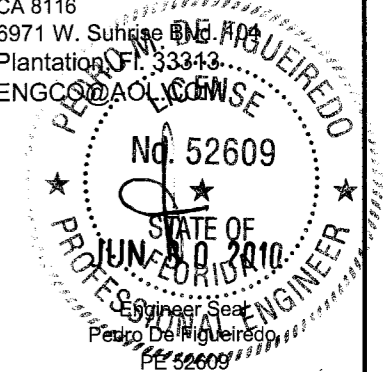
MANUFACTURER:
Bristolite Skylights

401 EAST GOETZ AVENUE
SANTA ANA, CA 92707
TEL.: (714) 540-8950
FAX: (714) 540-5415

PRODUCT:
HEAVY WEATHER SKYLIGHT

Engineering:
EngCo Inc.

CA 8116
6971 W. Sunrise Blvd. #104
Plantation, FL 33313
ENGCO@AOL.COM



DRAFTING:
PK DRAFTING & MORE

MIAMI-DADE BCCO:

Approved as complying with the
Florida Building Code
Date 07/28/2010
NOA# 10-0216.02
Miami Dade Product Control
Division
By *Helmy A. Mabro*

Date: 01/26/10
Scale: NA
Design by: PPMF

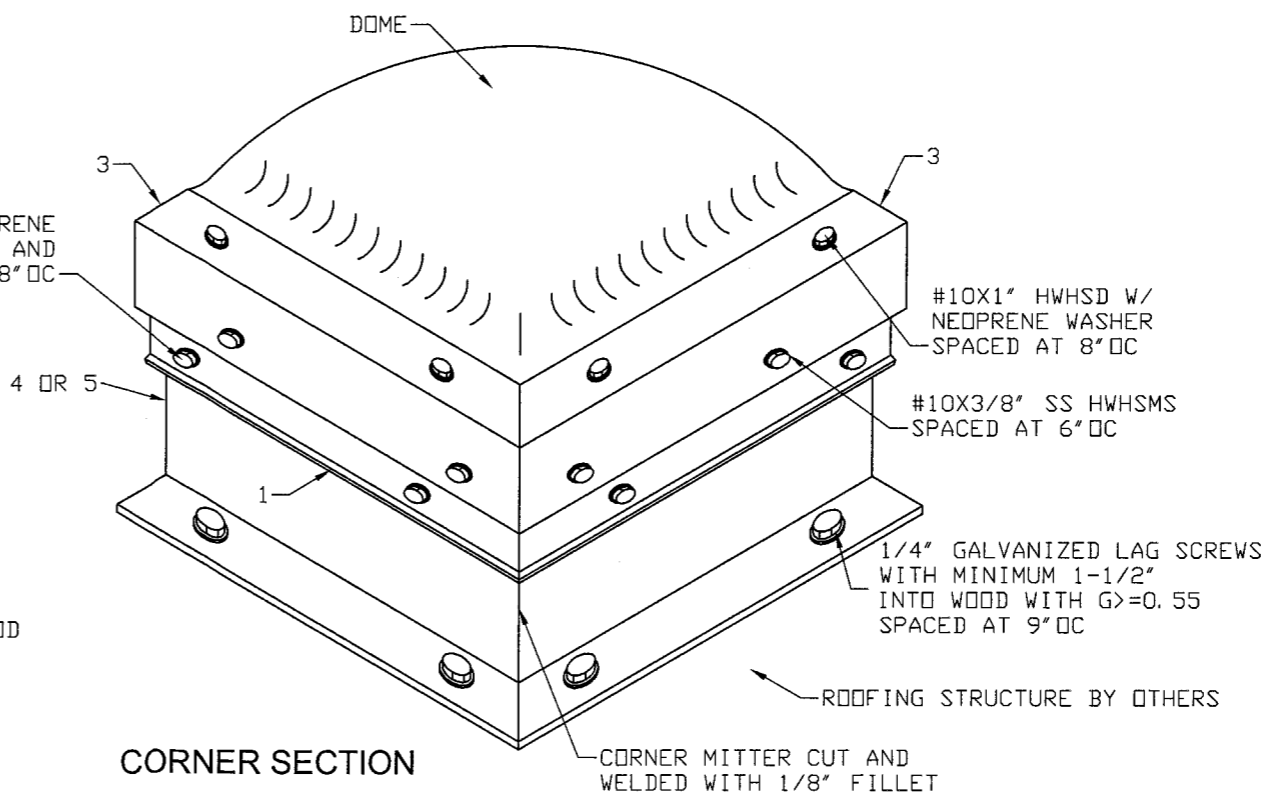
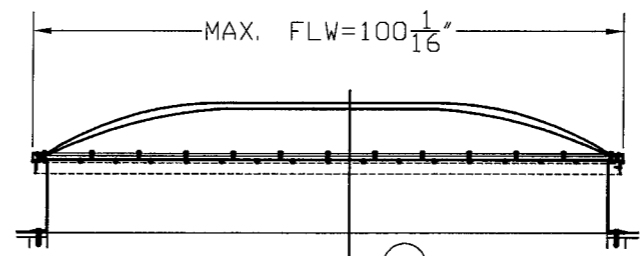
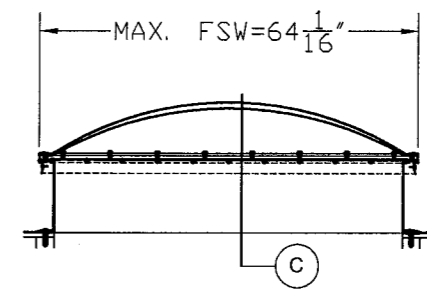
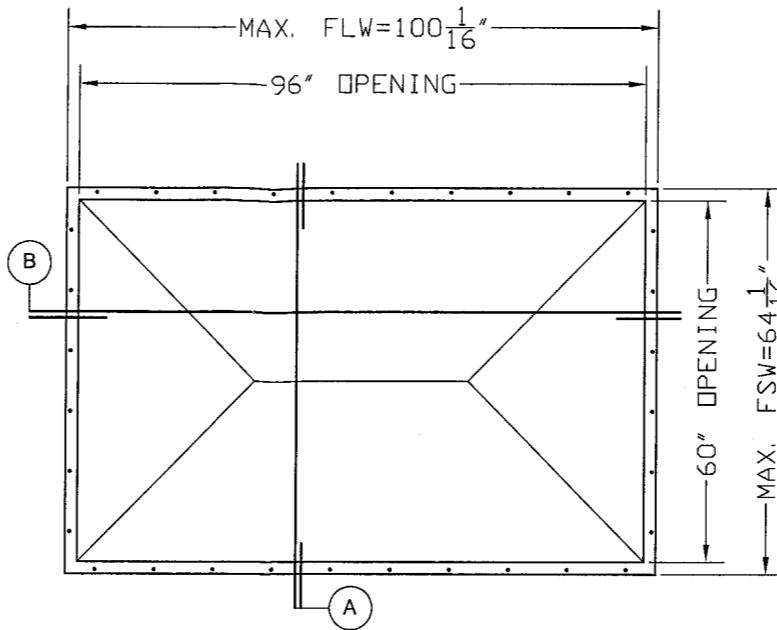
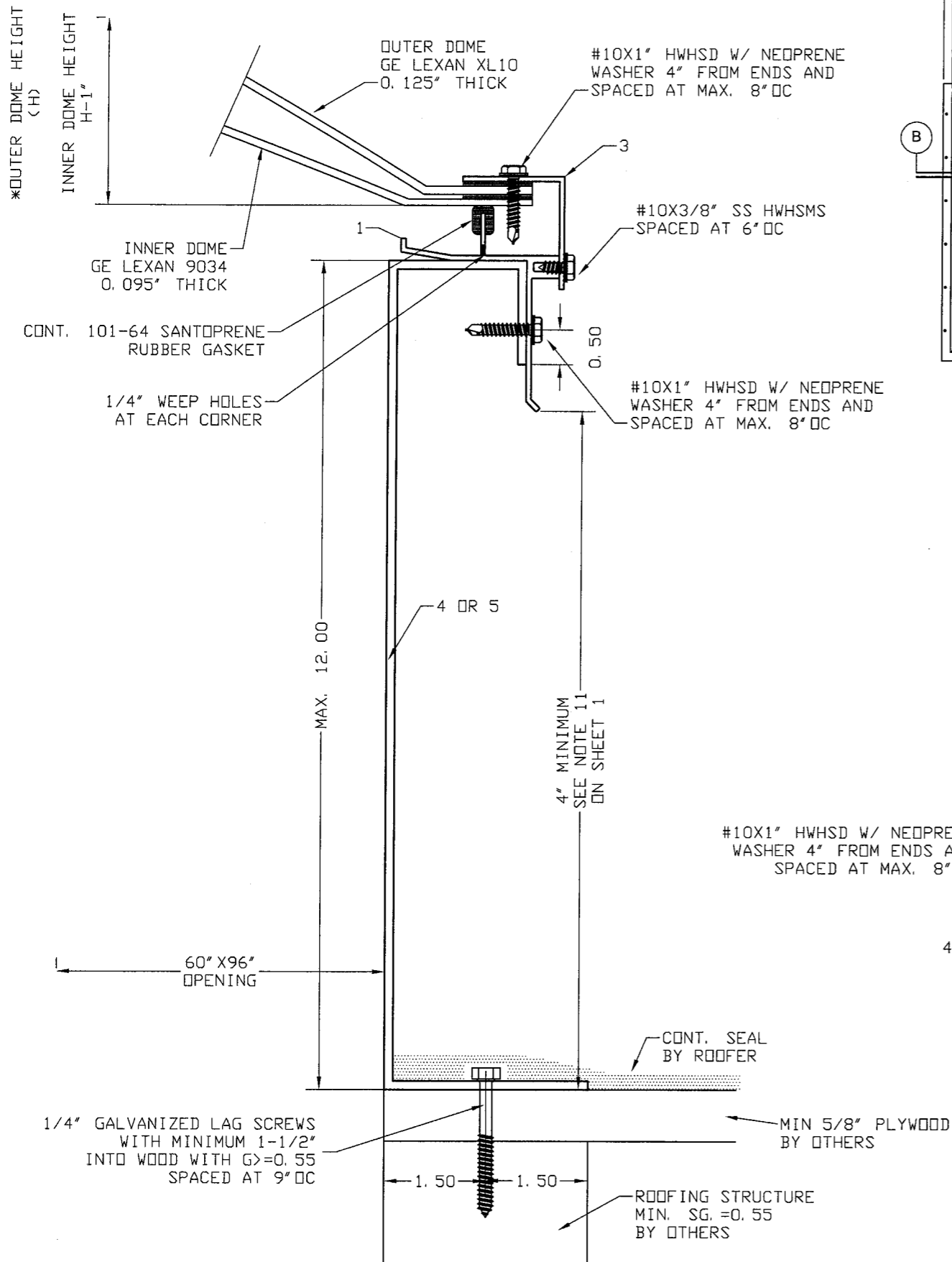
Drawing Number
09-025

SHEET
1 of 5

SECTION C

OPTION 1 - MAXIMUM 12" SELF FLASHING MOUNTING

* OUTER DOME RISE ABOVE THE MOUNTING FLANGE: MINIMUM 10% OF THE MAXIMUM DOME SPAN BUT NOT LESS THAN 3"



MANUFACTURER:
Bristolite Skylights
 401 EAST GOETZ AVENUE
 SANTA ANA, CA 92707
 TEL.: (714) 540-8950
 FAX: (714) 540-5415

PRODUCT:
HEAVY WEATHER SKYLIGHT

Engineering:
EngCo Inc.
 CA 8116
 6971 W. Sunrise Blvd. 104
 Plantation, FL 33313
 ENGCO@AOL.COM



DRAFTING
PK DRAFTING & MORE

MIAMI-DADE BCCO:
 Approved as complying with the Florida Building Code
 Date 07/28/2010
 NOA# 10-0216.02
 Miami Dade Product Control Division
 By *Heather A. Miller*

Date: 02/18/09
 Scale: NA
 Design by: PPMF

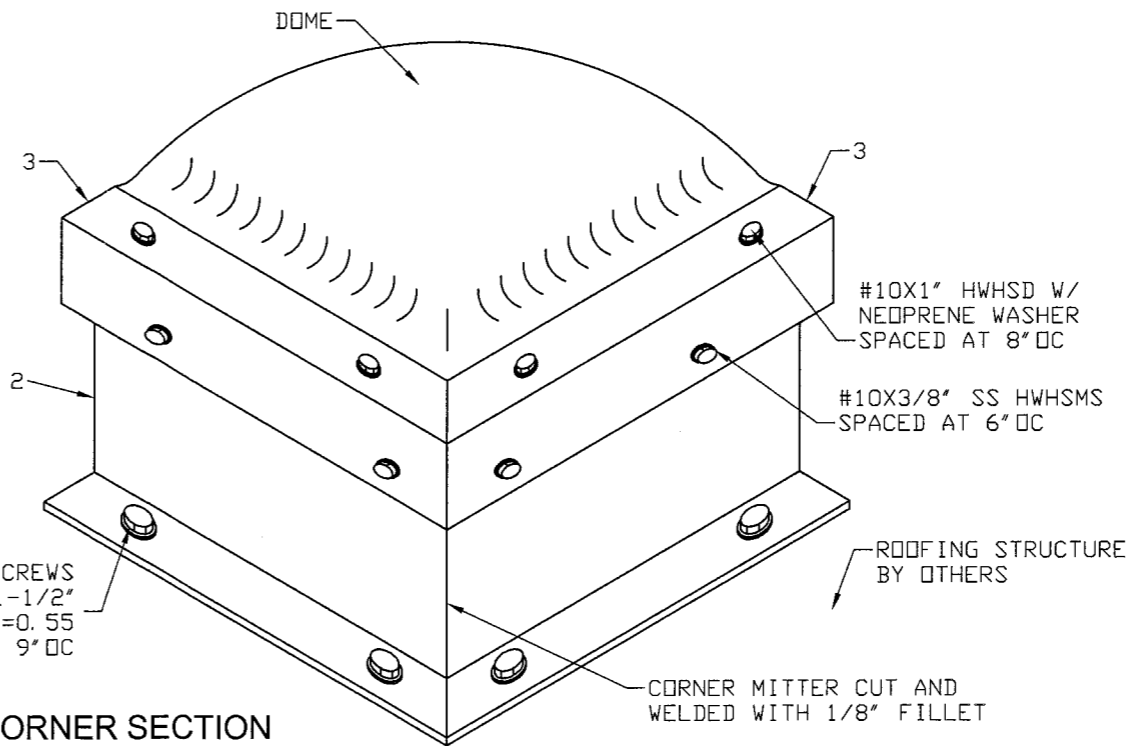
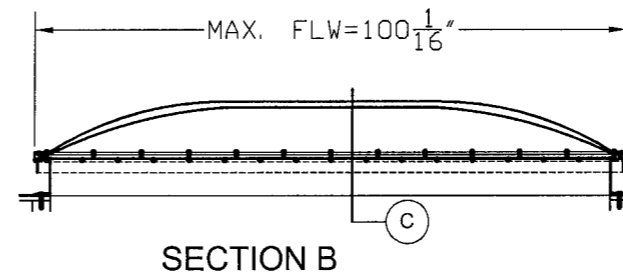
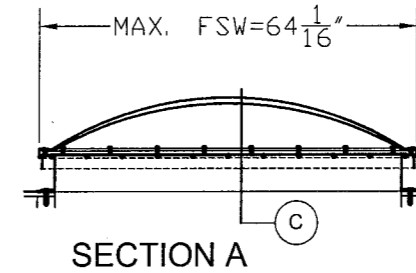
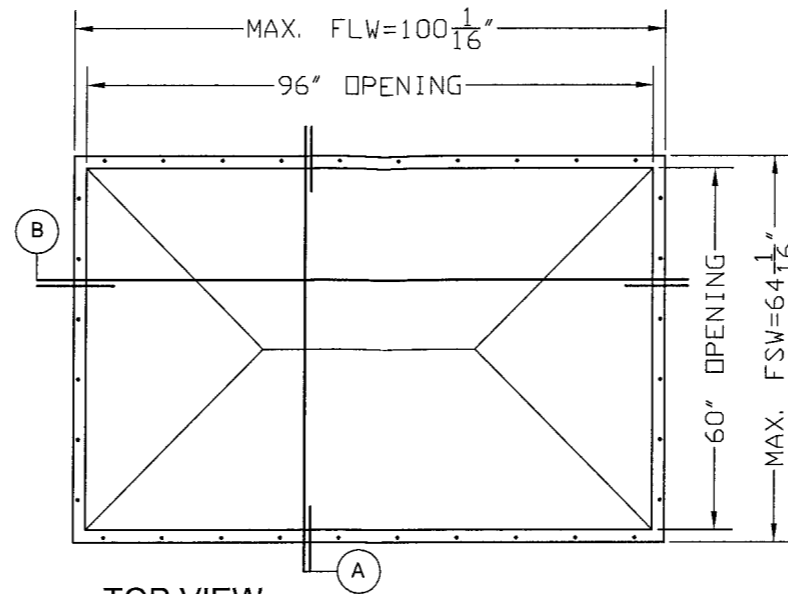
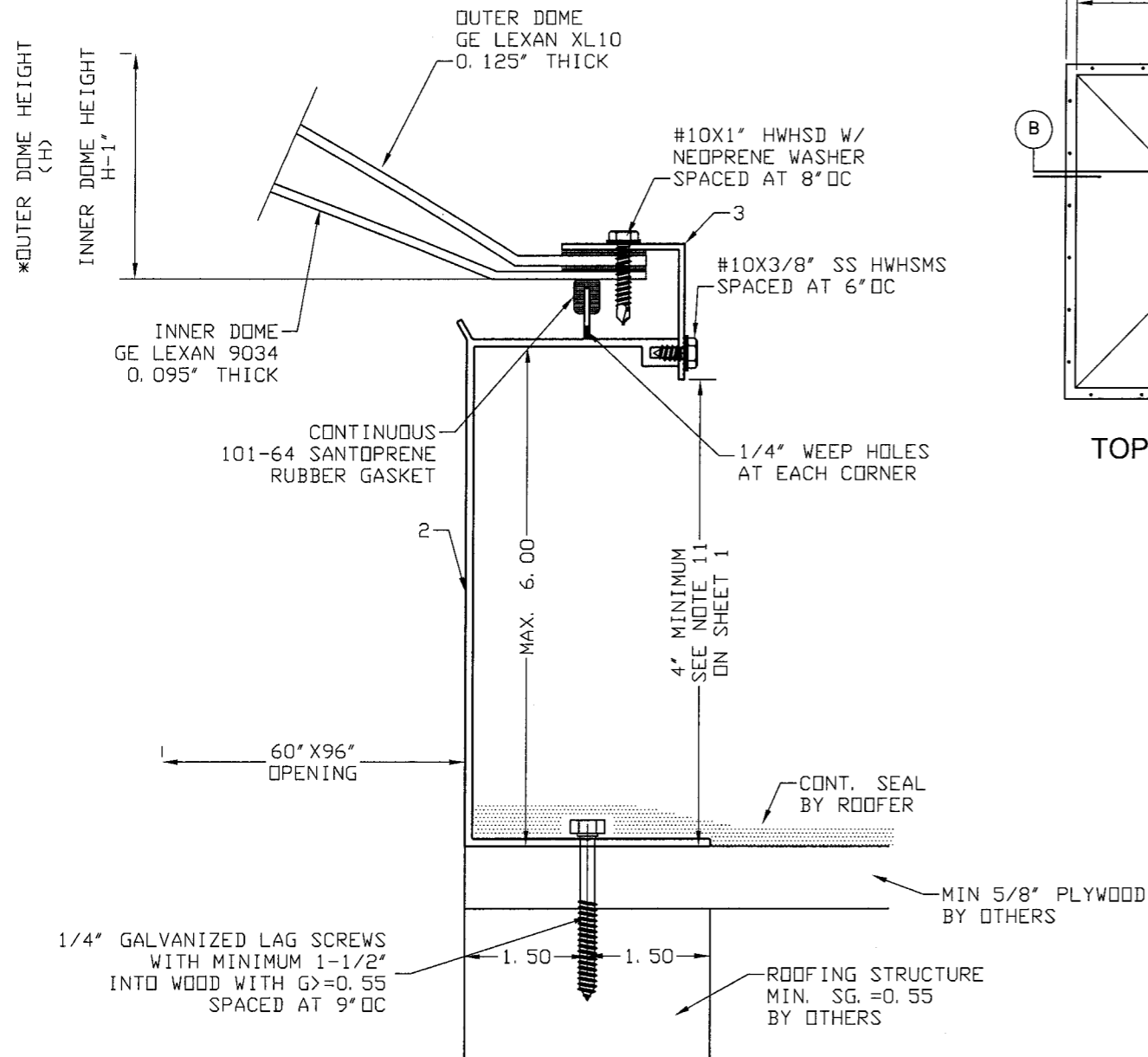
Drawing Number
09-025

SHEET
2 of 5

OPTION 2 - MAXIMUM 6" SELF FLASHING MOUNTING

SECTION C

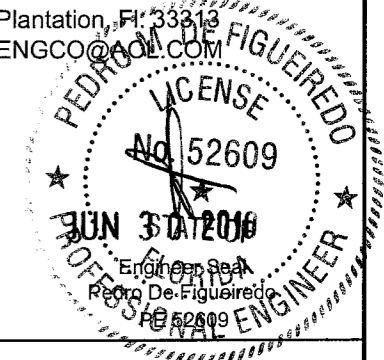
* OUTER DOME RISE ABOVE THE MOUNTING FLANGE: MINIMUM 10% OF THE MAXIMUM DOME SPAN BUT NOT LESS THAN 3"



MANUFACTURER:
Bristolite Skylights
 401 EAST GOETZ AVENUE
 SANTA ANA, CA 92707
 TEL.: (714) 540-8950
 FAX: (714) 540-5415

PRODUCT:
HEAVY WEATHER SKYLIGHT

Engineering:
EngCo Inc.
 CA 8116
 6971 W. Sunrise Blvd, 104
 Plantation, FL 33313
 ENGCO@AOL.COM



DRAFTING:
PK DRAFTING & MORE

MIAMI-DADE BCCO:

Approved as complying with the Florida Building Code
 Date 07/28/2010
 NOA# 10-0716-02
 Miami Dade Product Control
 Division
 By *Helena A. Mello*

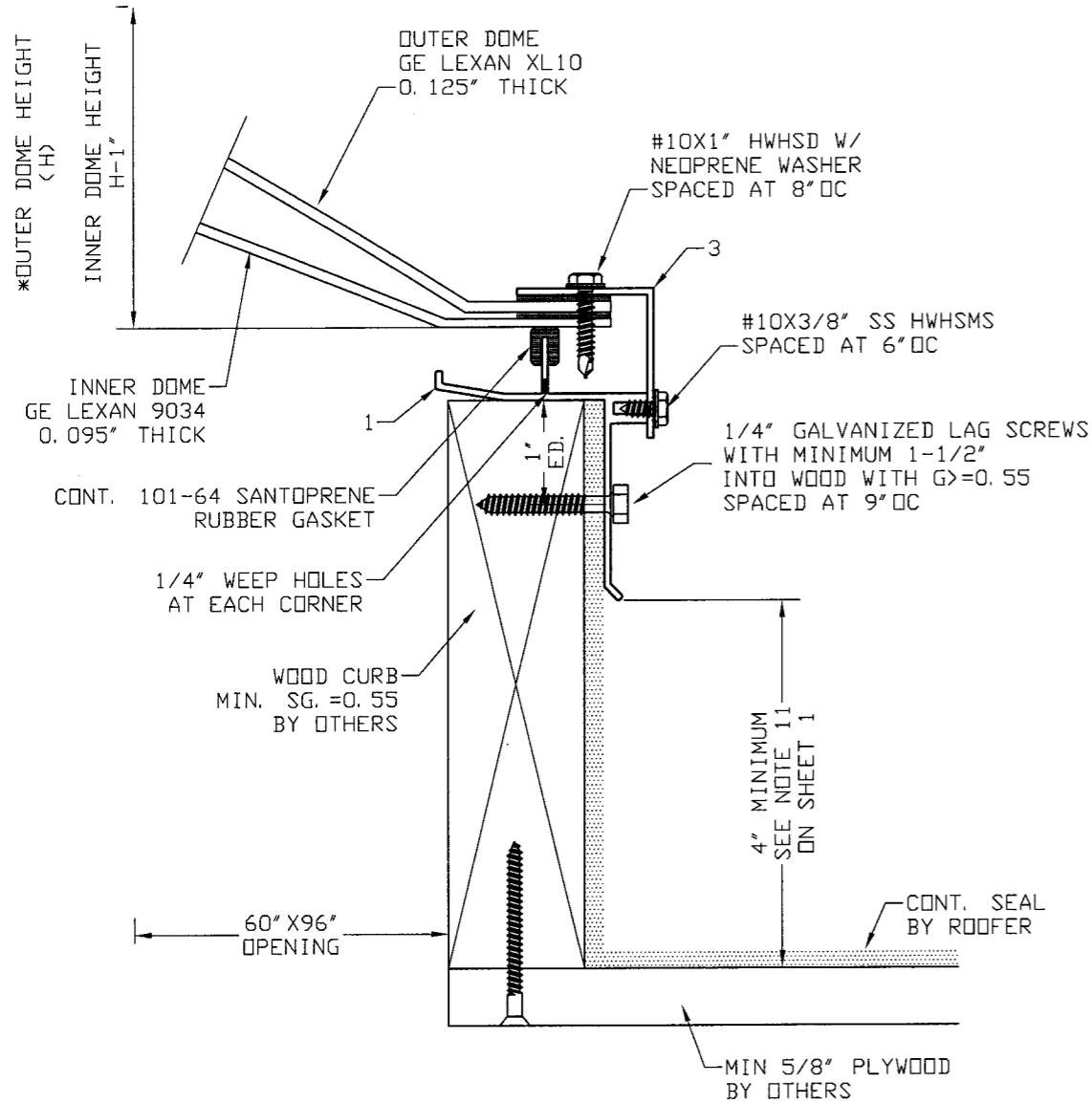
Date: 02/18/09
 Scale: NA
 Design by: PPMF

Drawing Number
09-025

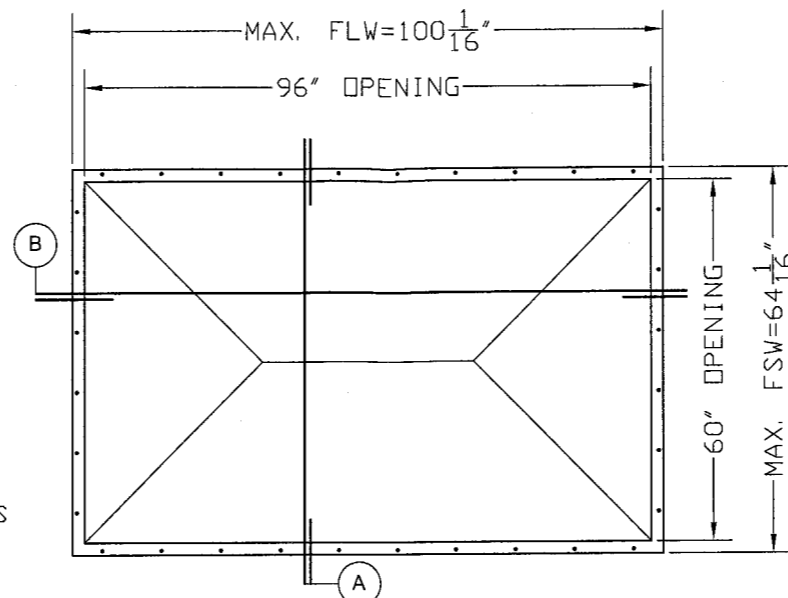
SHEET
 3 of 5

SECTION C

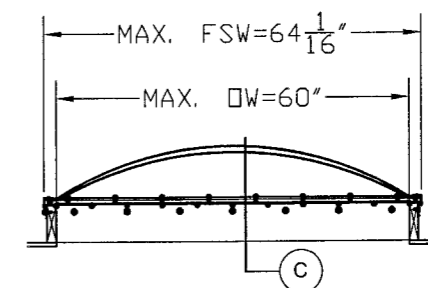
* OUTER DOME RISE ABOVE THE MOUNTING FLANGE: MINIMUM 10% OF THE MAXIMUM DOME SPAN BUT NOT LESS THAN 3"



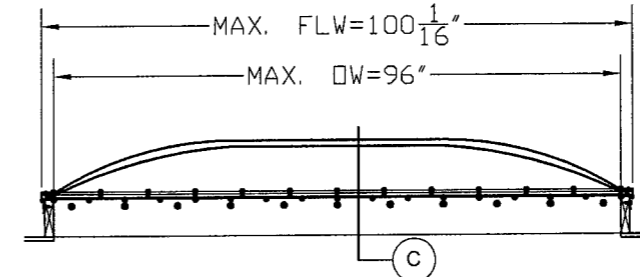
OPTION 3 - CURB MOUNTING



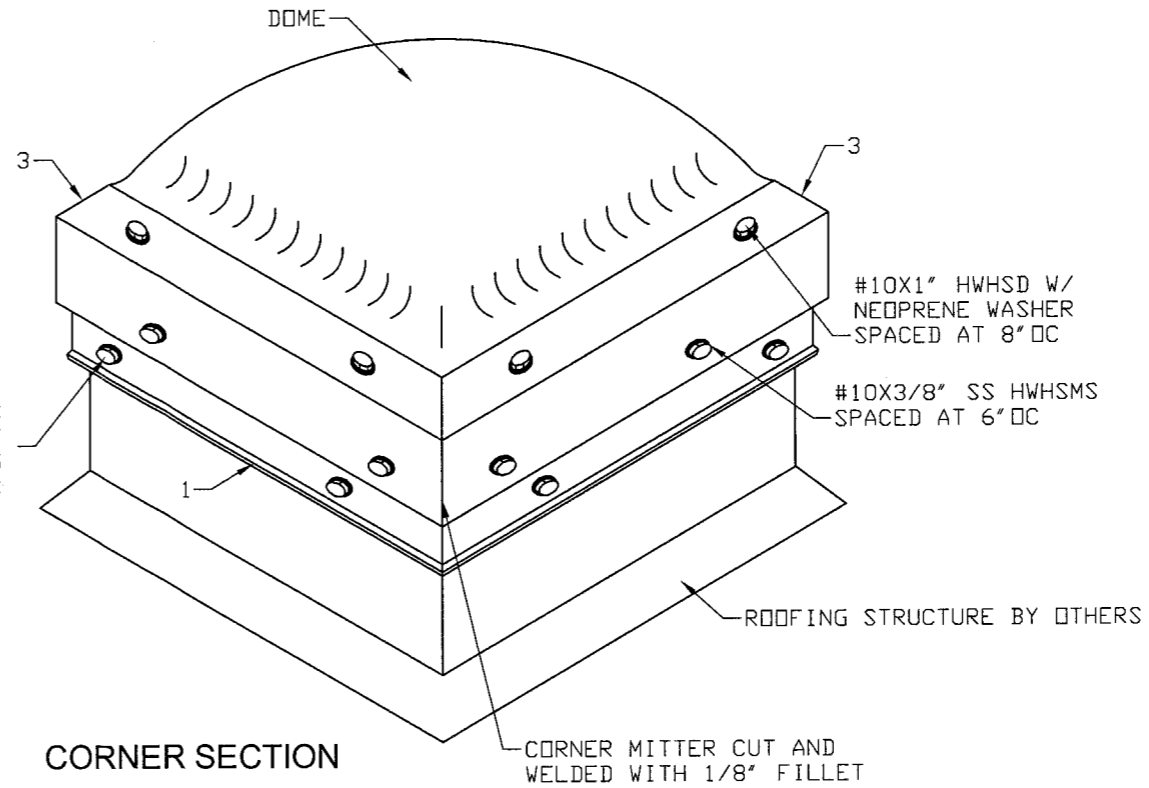
TOP VIEW



SECTION A



SECTION B



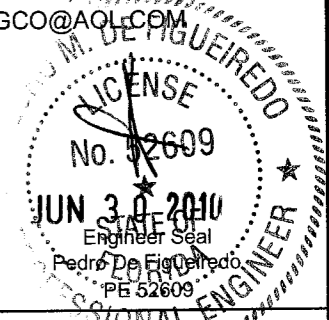
CORNER SECTION

MANUFACTURER:
Bristolite Skylights

401 EAST GOETZ AVENUE
SANTA ANA, CA 92707
TEL.: (714) 540-8950
FAX: (714) 540-5415

PRODUCT:
HEAVY WEATHER SKYLIGHT

Engineering:
EngCo Inc.
CA 8116
6971 W. Sunrise Blvd. 104
Plantation, FL 33313
ENGCO@AOL.COM



DRAFTING:
PK DRAFTING & MORE

MIAMI-DADE BCCO:

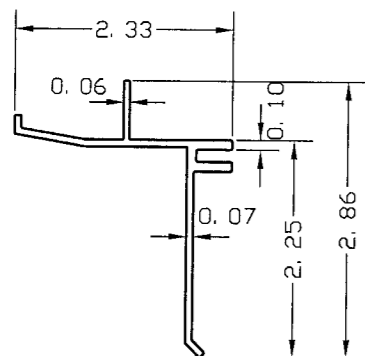
Approved as complying with the Florida Building Code
Date 07/28/2010
NOA# 10-0216.02
Miami Dade Product Control
Division
By Helmy A. Mabro

Date: 01/26/10
Scale: NA
Design by: PPMF

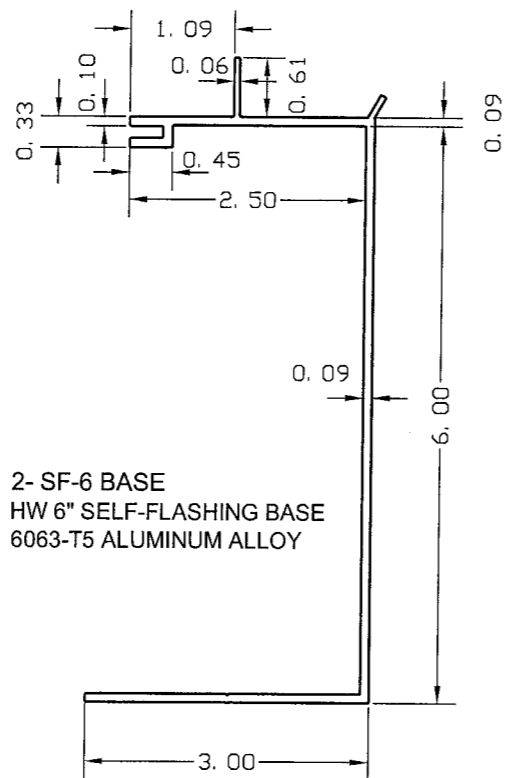
Drawing Number
09-025

SHEET
4 of 5

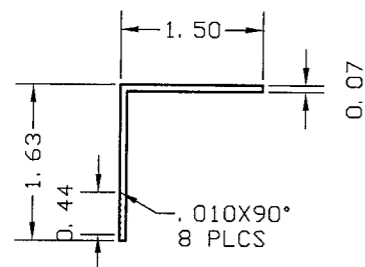
PRODUCT COMPONENTS



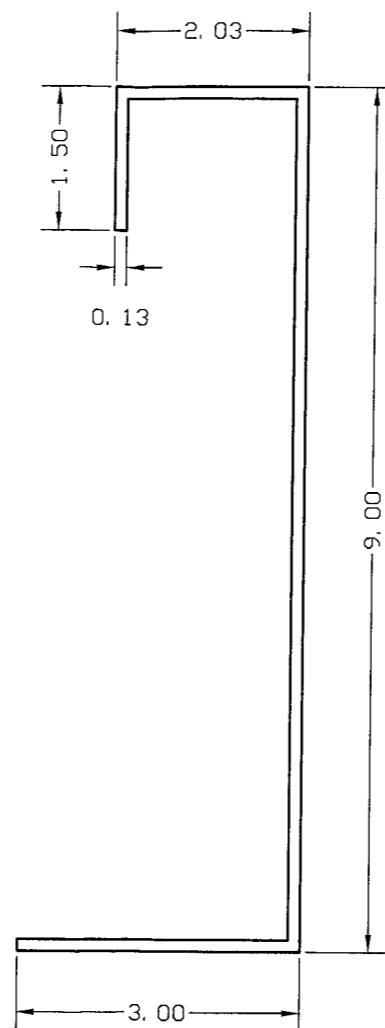
1- CM BASE
CURB MOUNT BASE
6063-T5 ALUMINUM ALLOY



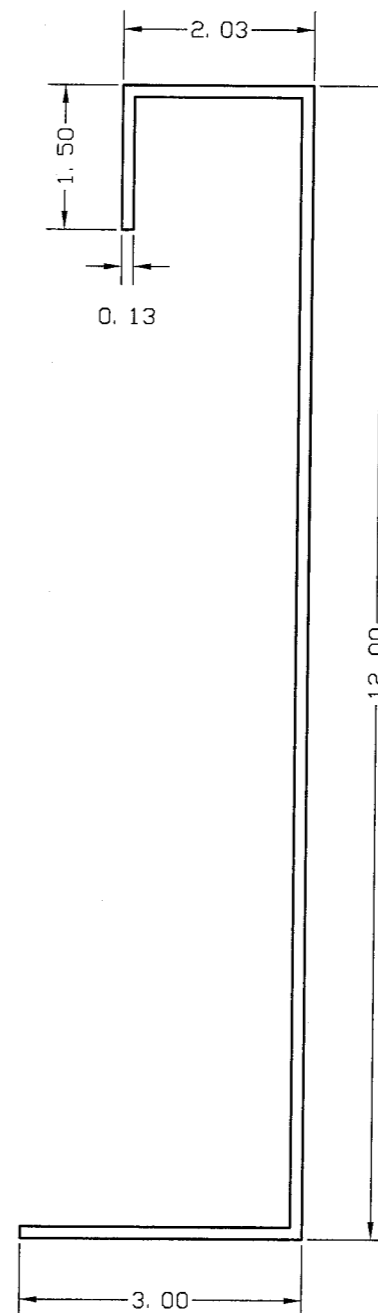
2- SF-6 BASE
HW 6" SELF-FLASHING BASE
6063-T5 ALUMINUM ALLOY



3- HW RETAINER
6063-T5 ALUMINUM ALLOY



4- SF-9 BASE
0.13" THK. BRAKE FORMED
ALUMINUM SELF-FLASHING
5052-H32 ALUMINUM ALLOY

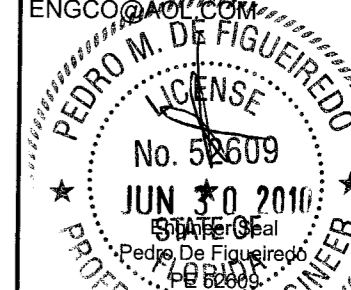


5- SF-12 BASE
0.13" THK. BRAKE FORMED
ALUMINUM SELF-FLASHING
5052-H32 ALUMINUM ALLOY

MANUFACTURER:
Bristolite Skylights
401 EAST GOETZ AVENUE
SANTA ANA, CA 92707
TEL.: (714) 540-8950
FAX: (714) 540-5415

PRODUCT:
HEAVY WEATHER SKYLIGHT

Engineering:
EngCo Inc.
CA 8116
6971 W. Sunrise Blvd. 104
Plantation, FL 33313
ENGCO@AOL.COM



DRAFTING:
PK DRAFTING & MORE

MIAMI-DADE BCCO:

Approved as complying with the
Florida Building Code
Date 07/28/2010
NOA# 10-0216.02
Miami Dade Product Control
Division
By [Signature]

Date: 01/26/10
Scale: NA
Design by: PPMF

Drawing Number
09-025

SHEET
5 of 5