

Solar Breeze

Attic Fans

Commercial Curb Mount Solar Attic Fan

Attic venting is an important aspect in maintaining an energy efficient commercial building or warehouse. Proper venting cools the roof, extending the life of the roofing material and reduces the load on the air conditioning system. Powered completely by free solar energy, this sleek and efficient vent is both compact and quiet. The commercial fans are available in 20, 30 or 50 watt models and are powdercoated black. Fully operational right from the box, the installation of the commercial unit requires no electrical wiring, but the unit must be installed on a pre-built curb.



50 Watt Solar Attic Fan

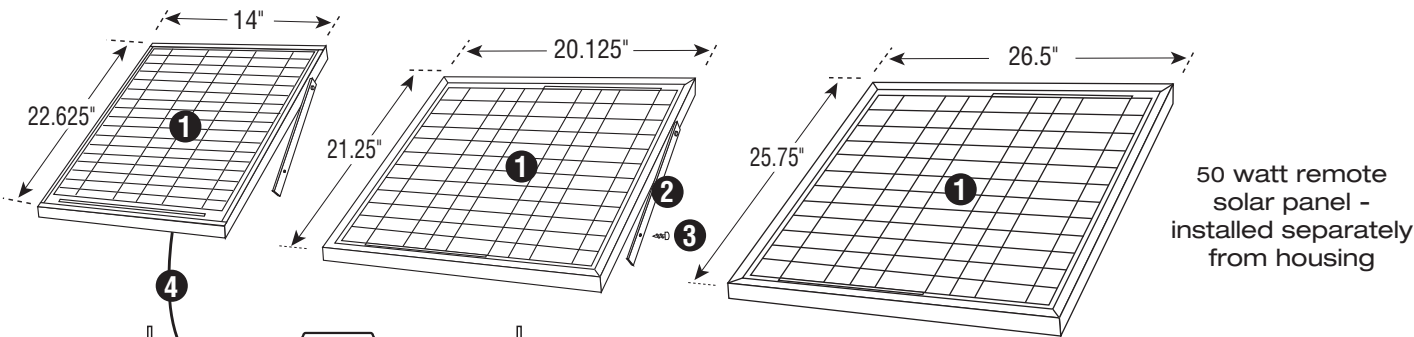
The 50 watt fans have an unmatched venting capacity of up to 3,100 sq. ft. for those larger jobs that require the most powerful and reliable solar attic fan on the market today. The 50 watt fans are powered by a remote solar panel installed directly onto the roof in the location where it will collect the most amount of sunlight.

Bristolite® Daylighting Systems
harnessing sunlight for energy savings

800.854.8618
www.bristolite.com

25 YEAR WARRANTY



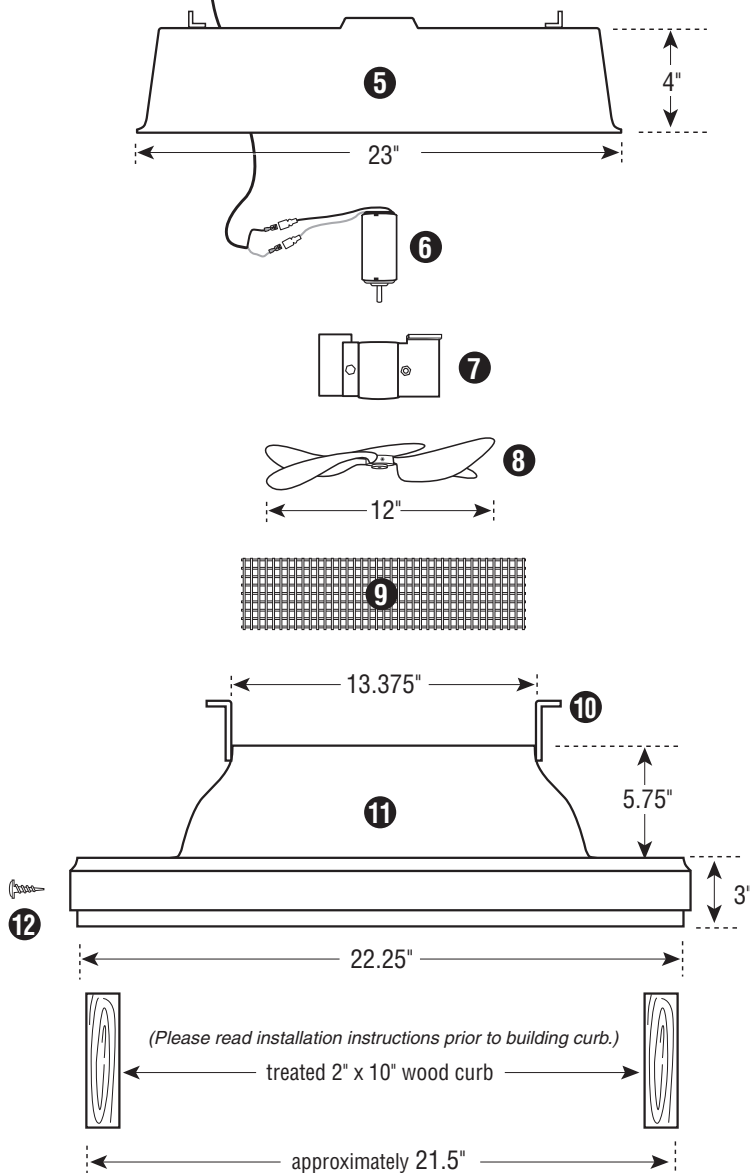


50 watt remote solar panel - installed separately from housing

NOTE: Exploded view of Solar Attic Fan is for illustrative purposes only. Unit comes fully assembled.

1. Custom Solar Panel (20, 30 or 50 watt available)*
2. (2) Adjustable Solar Panel Bracket
3. (2) #8 x .75" Self-Tapping Screws
4. 18 Gauge Tinned Copper Wire Lead
5. Commercial Pure Grade Aluminum Shroud
6. Custom DC Motor
7. Motor Bracket Assembly
8. Air Driven Precision Pitch 5 Blade Fan
9. 3.25" x 48" Stainless Steel Wire Mesh
10. (4) Rugged 14 Gauge Shroud Support Bracket
11. Commercial Pure Grade Aluminum Flashing
12. (4) #10 x 1.5" Stainless Steel Phillips Head Screws

*solar panel dimensions may vary slightly



OPTIONAL ACCESSORIES:

Thermal Snap Switch is available to automatically turn off the unit during colder months.

Fire Safety Cutoff Switch is designed to help stop the spread of house attic fires during daytime fan operation by shutting down the fan.

| Model | cfm Output | Venting Capacity |
|---------|------------------|---------------------|
| 20 watt | up to 1,275 cfms | up to 2,000 sq. ft. |
| 30 watt | up to 1,550 cfms | up to 2,500 sq. ft. |
| 50 watt | up to 1,900 cfms | up to 3,100 sq. ft. |