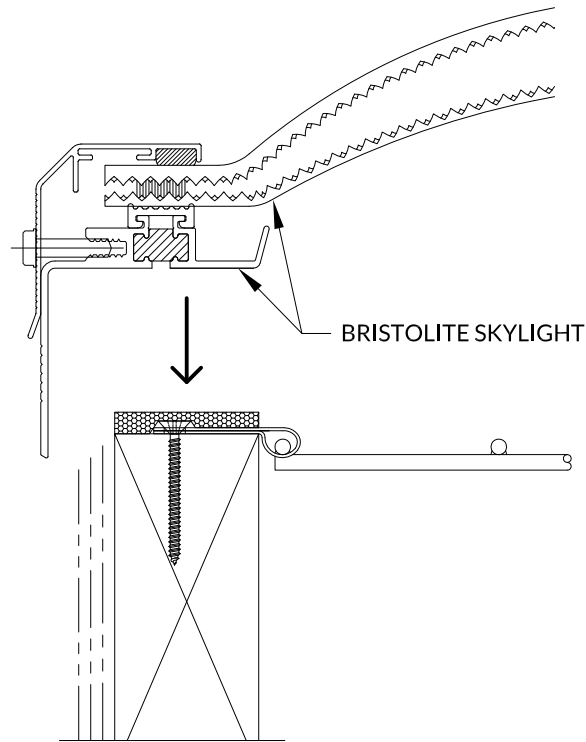


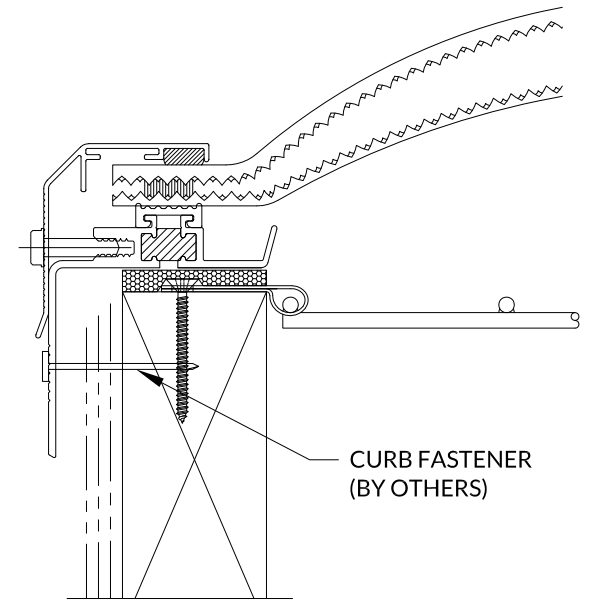
INSTALL GLADIATOR SAFETY SCREEN

1



POSITION SKYLIGHT OVER CURB

2



FASTEN SKYLIGHT TO CURB.

3

NAME: Gladiator SSCRN Instructions
 (SCALE: 1"=2")

Bristolite® Daylighting Systems

401 East Goetz Avenue, Santa Ana, CA. 92707
 TEL 714.540.8950 / FAX 714.540.5415

GLADIATOR SAFETY SCREEN KIT:

- 0.162" GALVANIZED STEEL WIRE MESH w/ 4"x4" OPENINGS
- CORROSION RESISTANT METAL CONNECTING CURB ATTACHMENT CLIPS @ 8" O.C.
- 1-1/2" LONG SELF TAPPING FASTENERS
- 1-1/2" WIDE EPDM CURB SEAL TAPE