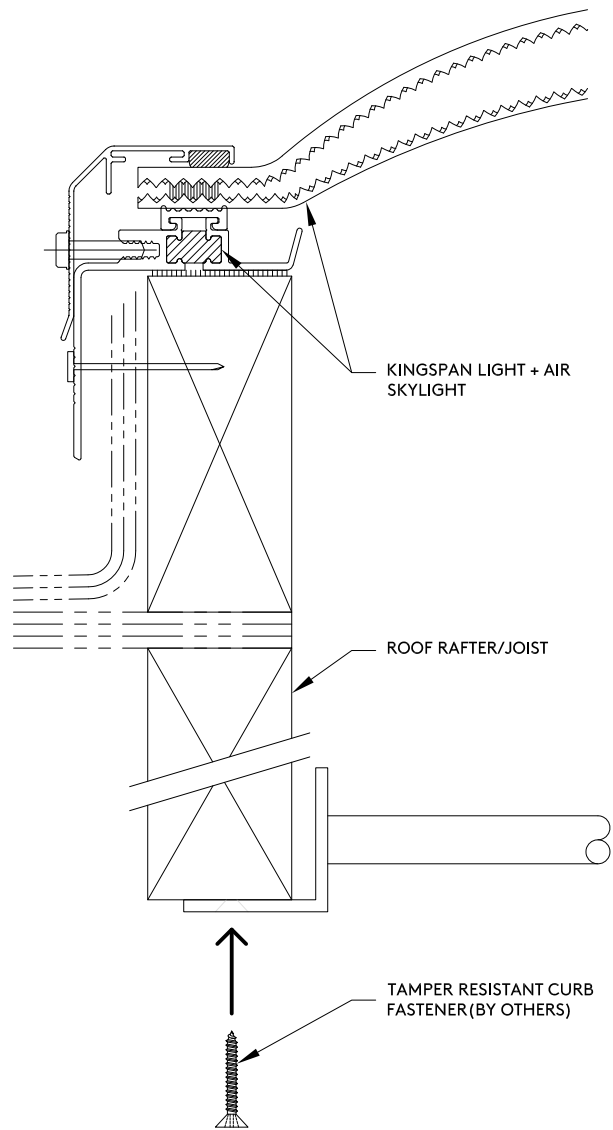


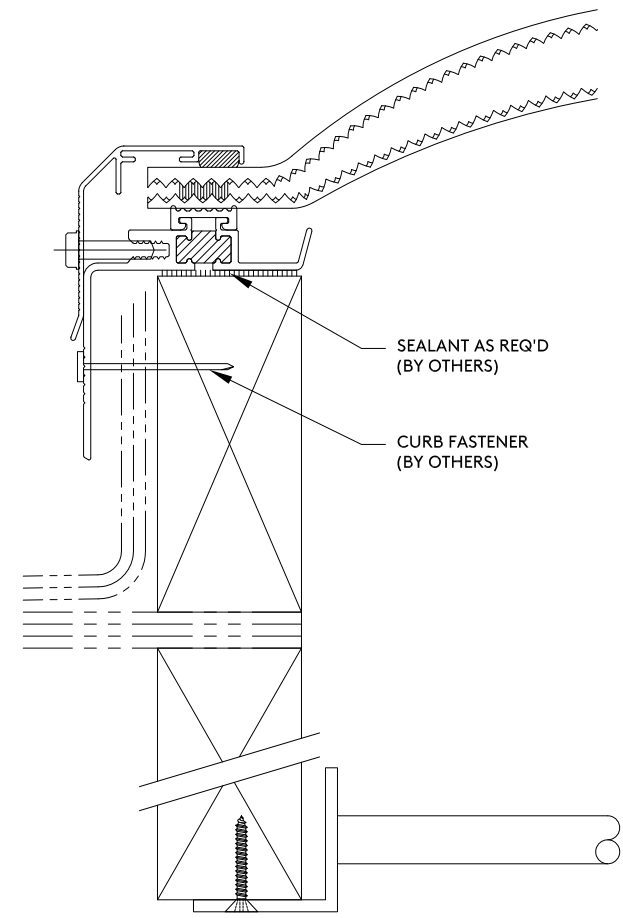
POSITION GLADIATOR SECURITY GRILL UNDER ROOF OPENING

1



INSTALL GLADIATOR SECURITY GRILL FASTENING TO ROOF RAFTER/JOIST

2



FULLY INSTALLED GLADIATOR SECURITY GRILL UNDER ROOF STRUCTURE

3

NAME: Gladiator SG Instructions-Under Roof
(SCALE: 1"=2")

GLADIATOR SECURITY GRILL KIT:

- TWO (2) 1/8" THICK STEEL ANGLES w/PRE-DRILLED HOLES
- 1/2" ROUND STEEL BARS
- PRIMER PAINTED WHITE
- FOUR (4) PATTERN OPTIONS

CAUTION:

IMPORTANT TO FASTEN GRILL TO STRUCTURE TO INSURE PROPER ANCHORAGE/MAXIMIZE STRENGTH



The new name for
Bristolite Daylighting Systems
401 E Goetz Ave, Santa Ana, CA, 92707
TEL: 714.540.8950 / FAX: 714.540.5415
WEB: www.bristolite.com