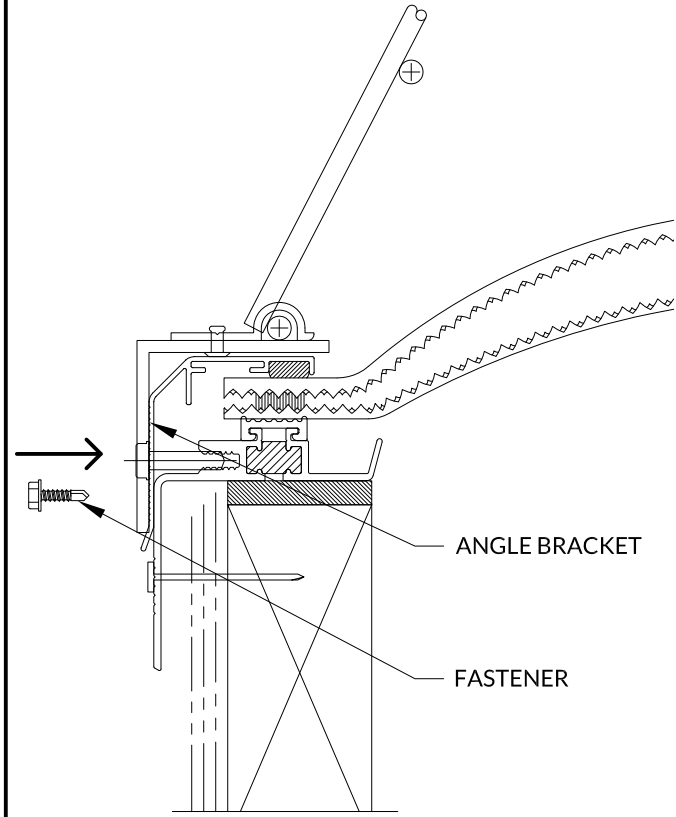


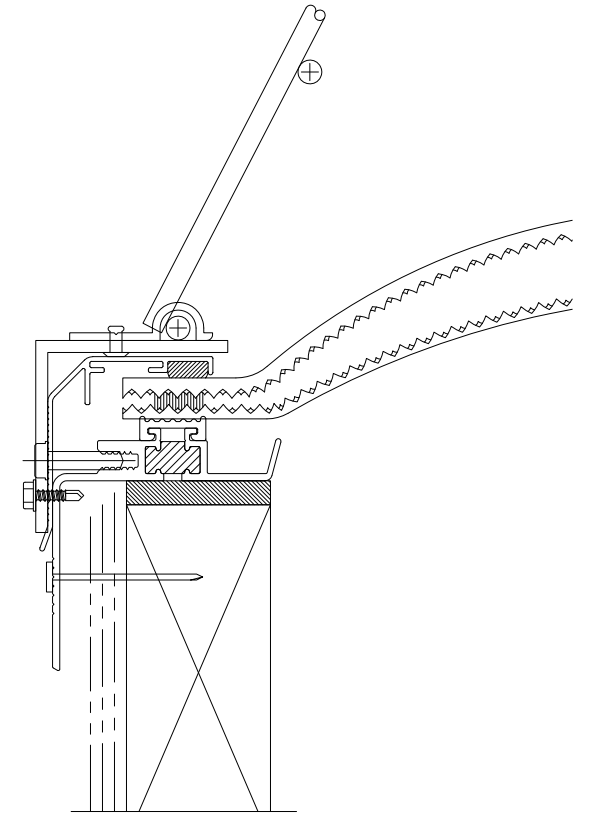
POSITION GLADIATOR EXTERNAL SAFETY CAGE OVER SKYLIGHT

1



FASTEN ANGLE BRACKET TO SKYLIGHT

2



INSTALLED SKYLIGHT AND GLADIATOR EXTERNAL SAFETY CAGE

3

NAME: Gladiator SCAGE Instructions
 (SCALE: 1"=2")

Bristolite® Daylighting Systems

401 East Goetz Avenue, Santa Ana, CA. 92707
 TEL 714.540.8950 / FAX 714.540.5415

- GLADIATOR EXTERNAL SAFETY CAGE KIT:**
- 0.25" GALVANIZED STEEL WIRE MESH w/ 4"x4" GRID PATTERN
 - 3" LONG CORROSION RESISTANT METAL CONNECTING CLIPS
 - FULL LENGTH CORROSION RESISTANT METAL ANGLE BRACKETS
 - #8 TEK FASTENERS @ 12" MAX. CENTERS