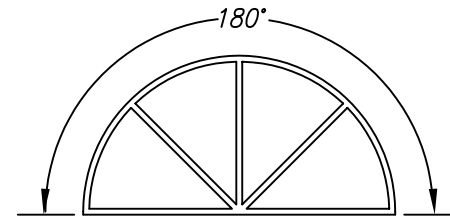
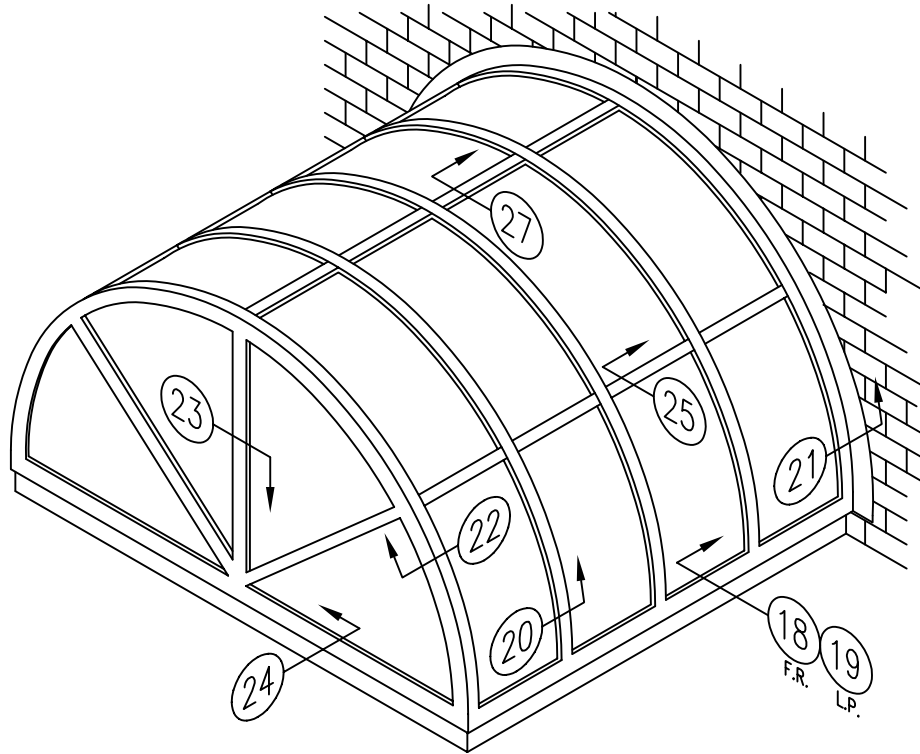
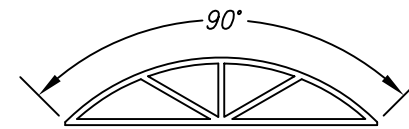


Curved Barrel Vault

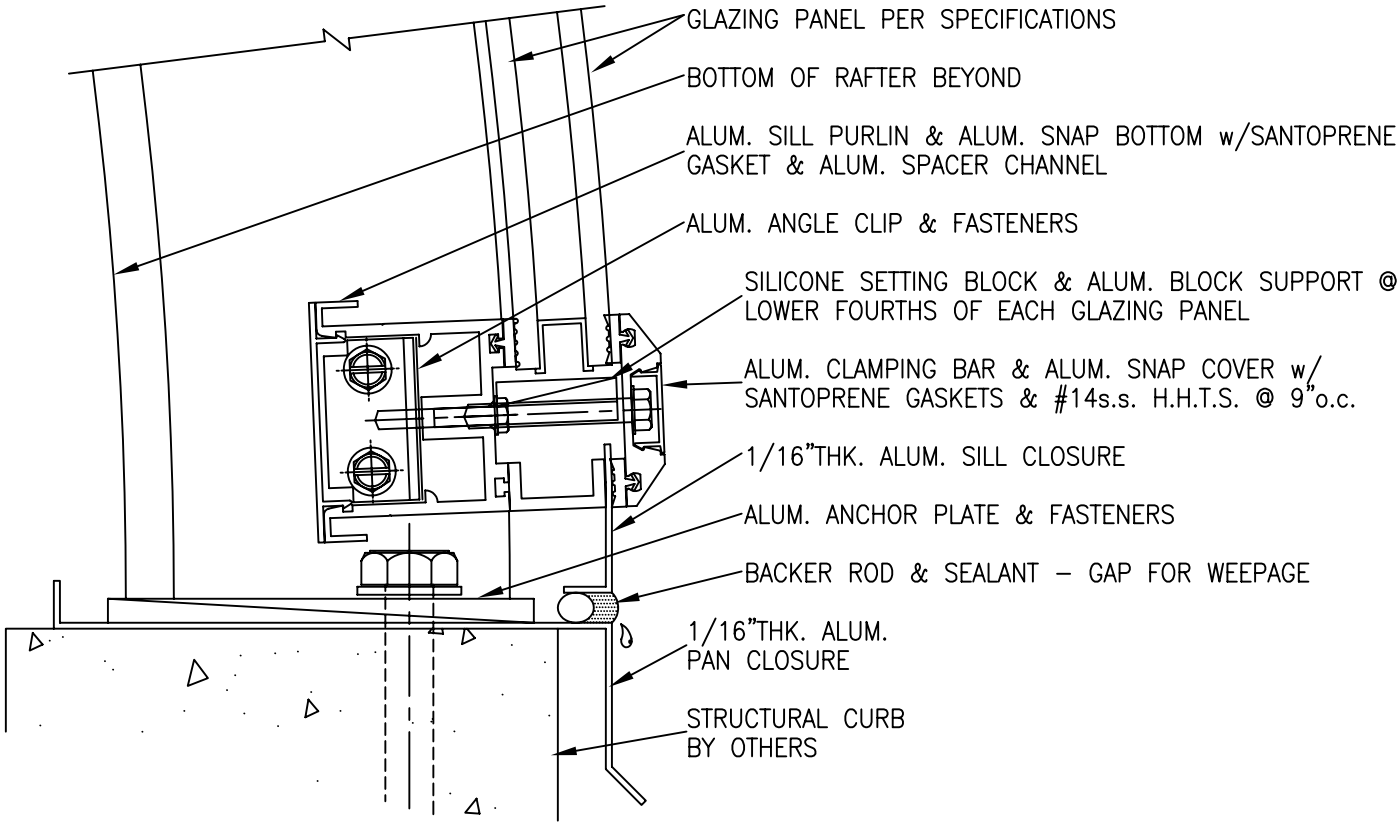


FULL ROUND (F.R.)



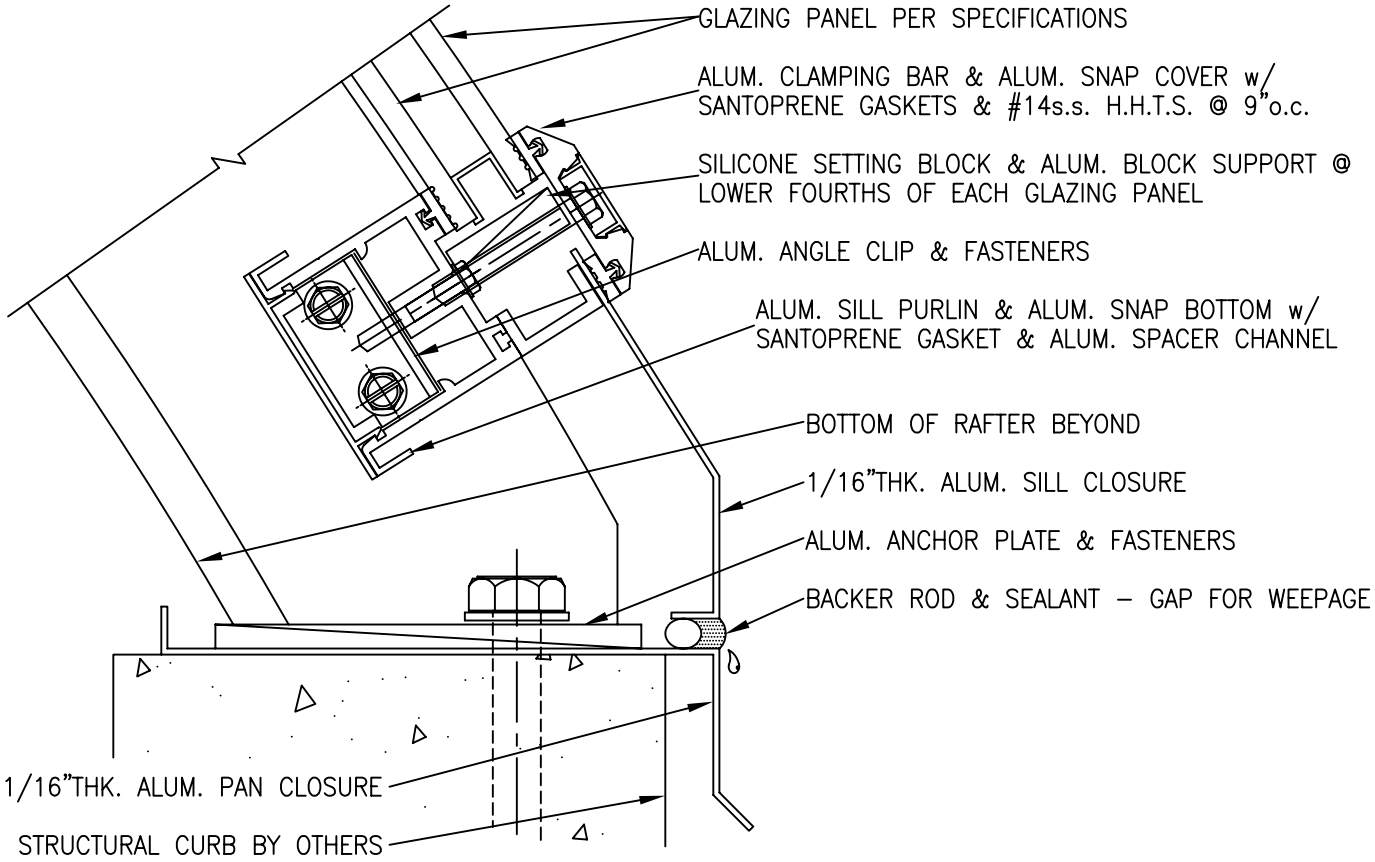
LOW PROFILE (L.P.)

Barrel Vault Sill Detail - FULL PROFILE (Field Assembled)



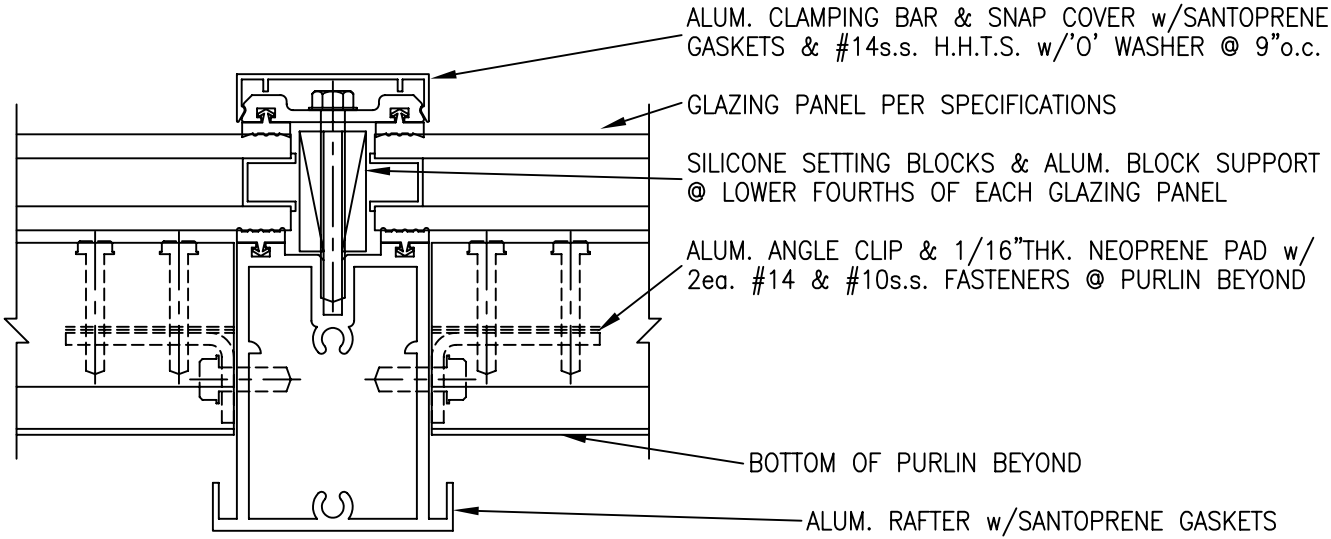
Detail No. 18

Barrel Vault Sill Detail - LOW PROFILE (Field Assembled)



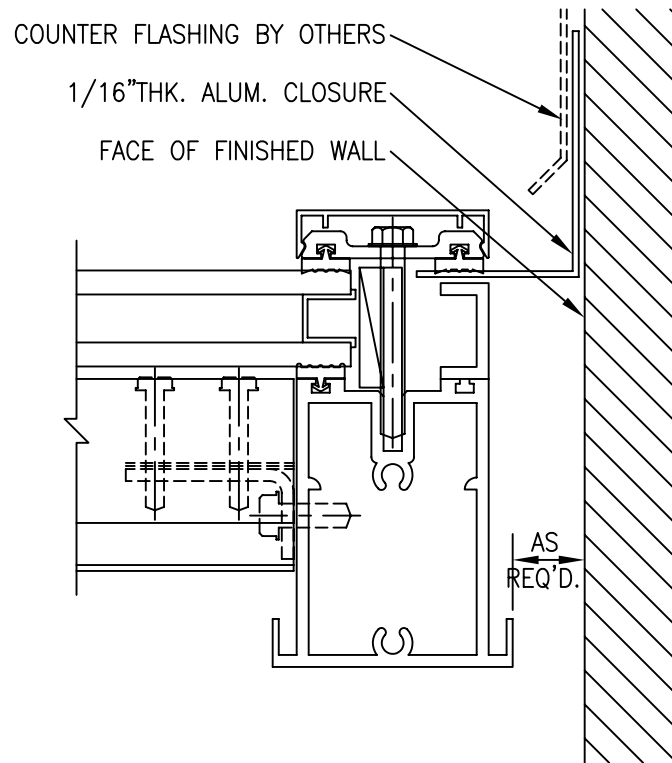
Detail No. 19

Barrel Vault Rafter Detail (Field Assembled)



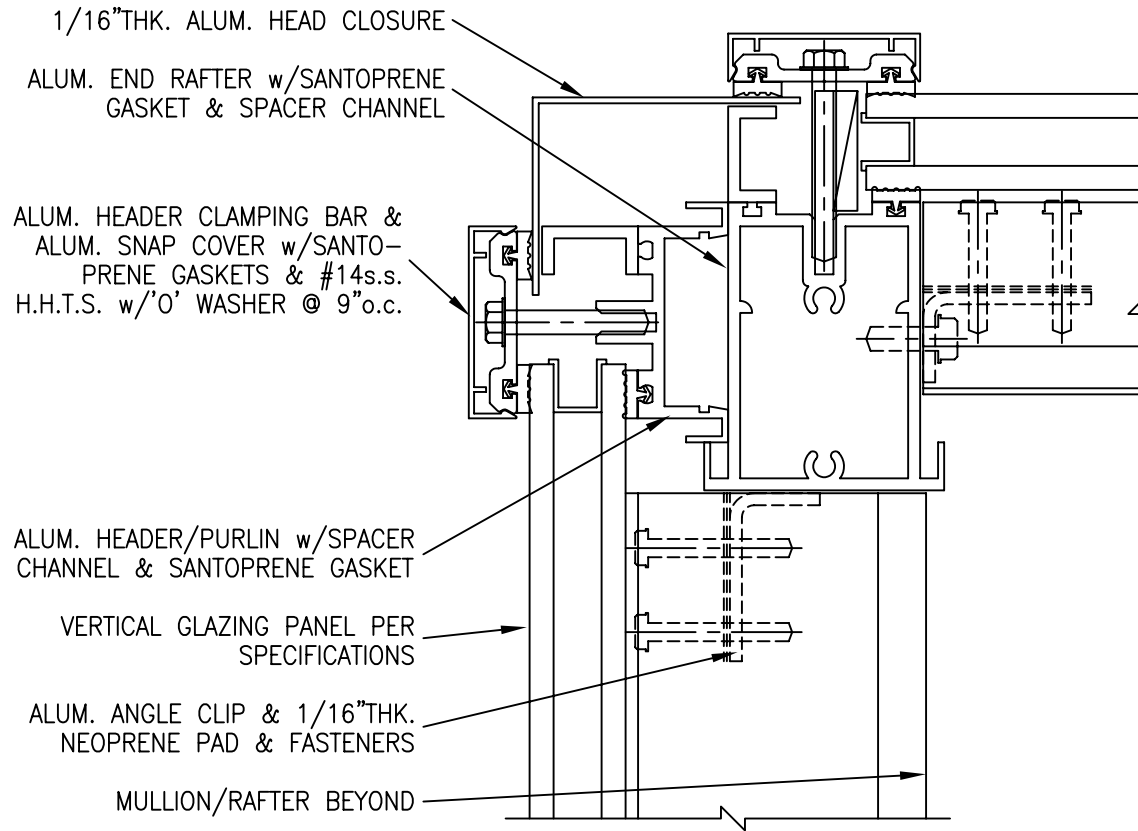
Detail No. 20

Barrel Vault End Rafter Detail (Field Assembled)



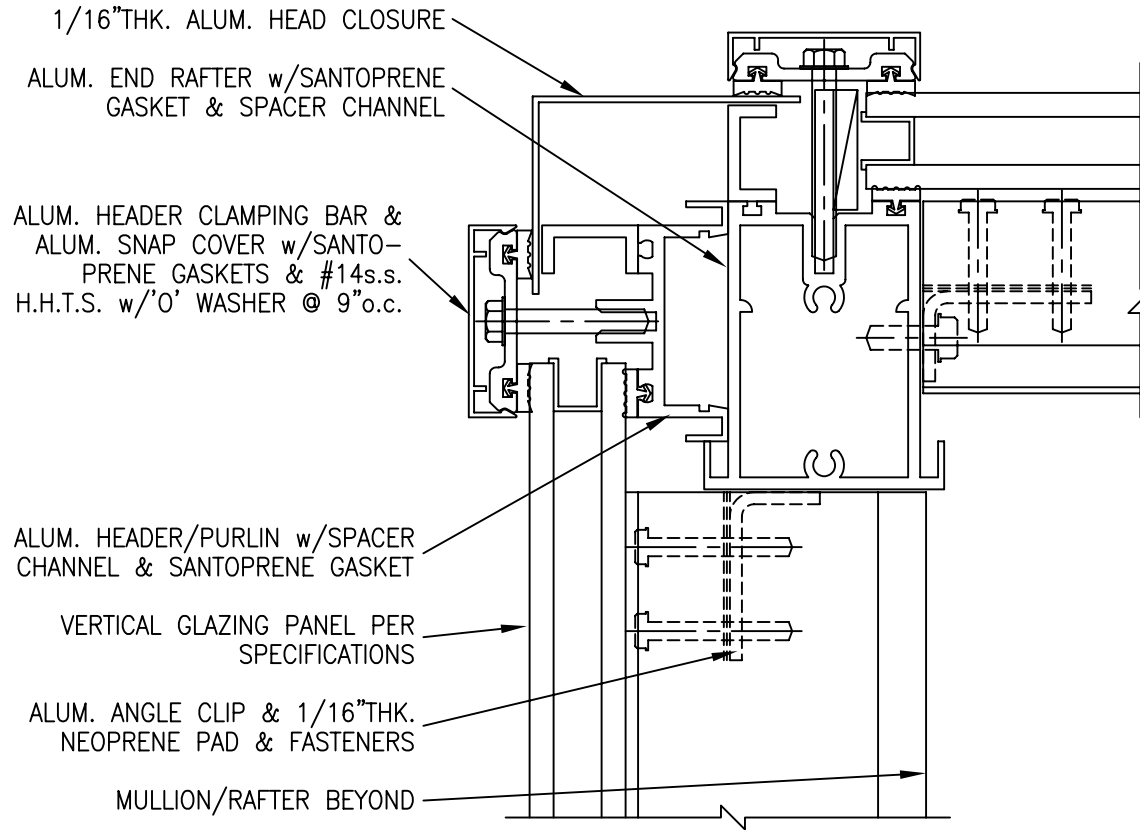
Detail No. 21

Barrel Vault Rafter at Vertical Detail (Field Assembled)



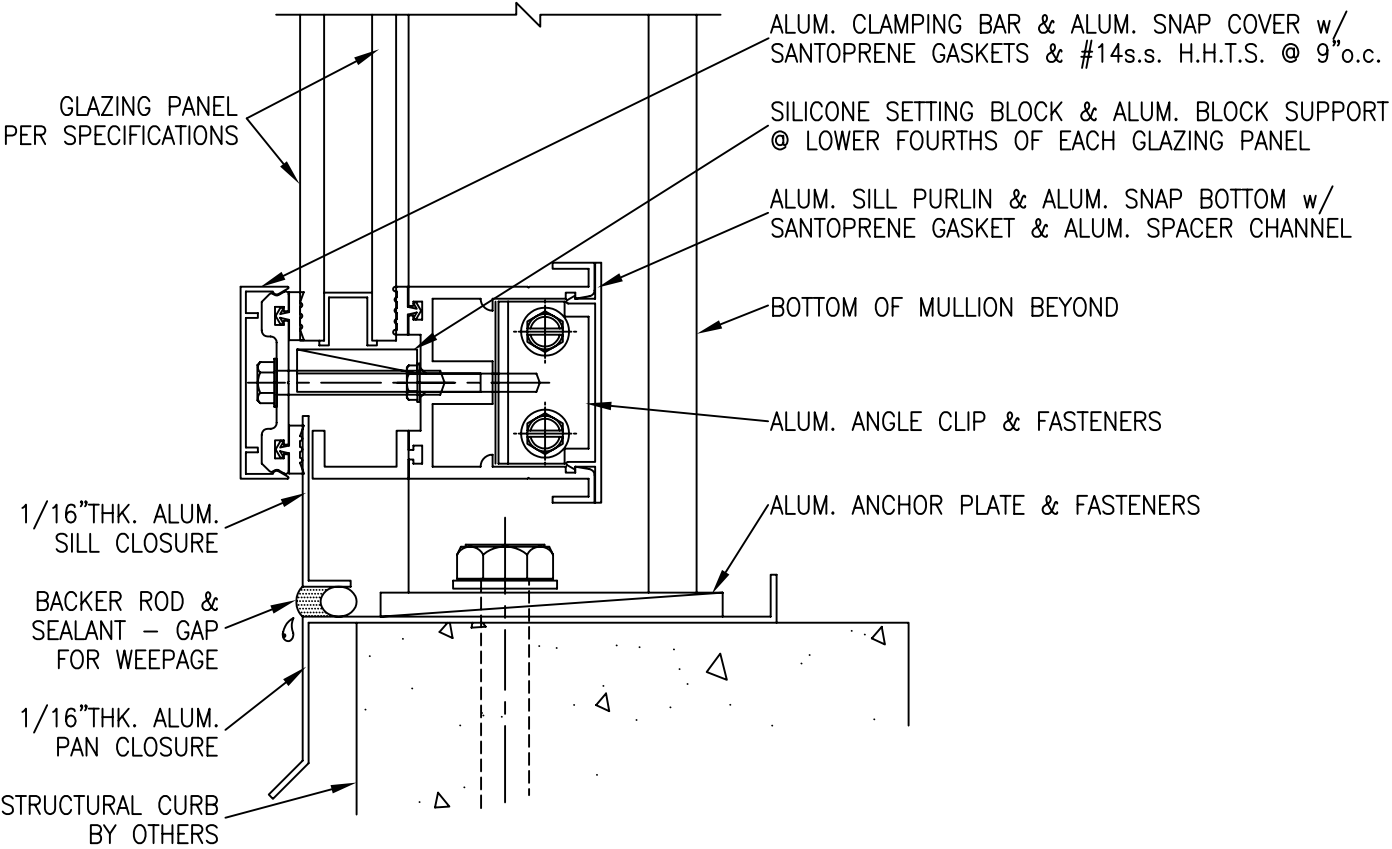
Detail No. 22

Barrel Vault Rafter at Vertical Detail (Field Assembled)



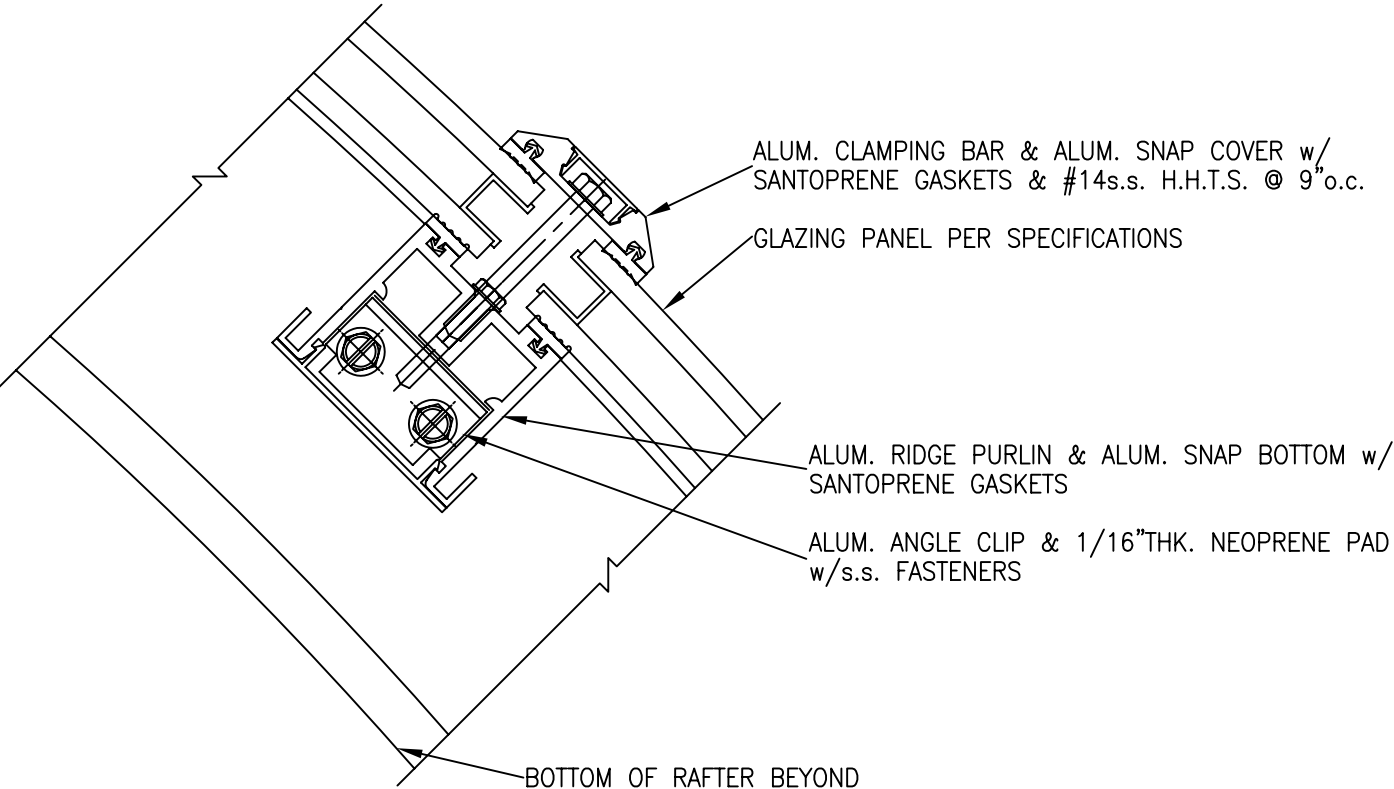
Detail No. 23

Barrel Vault End Sill Detail (Field Assembled)



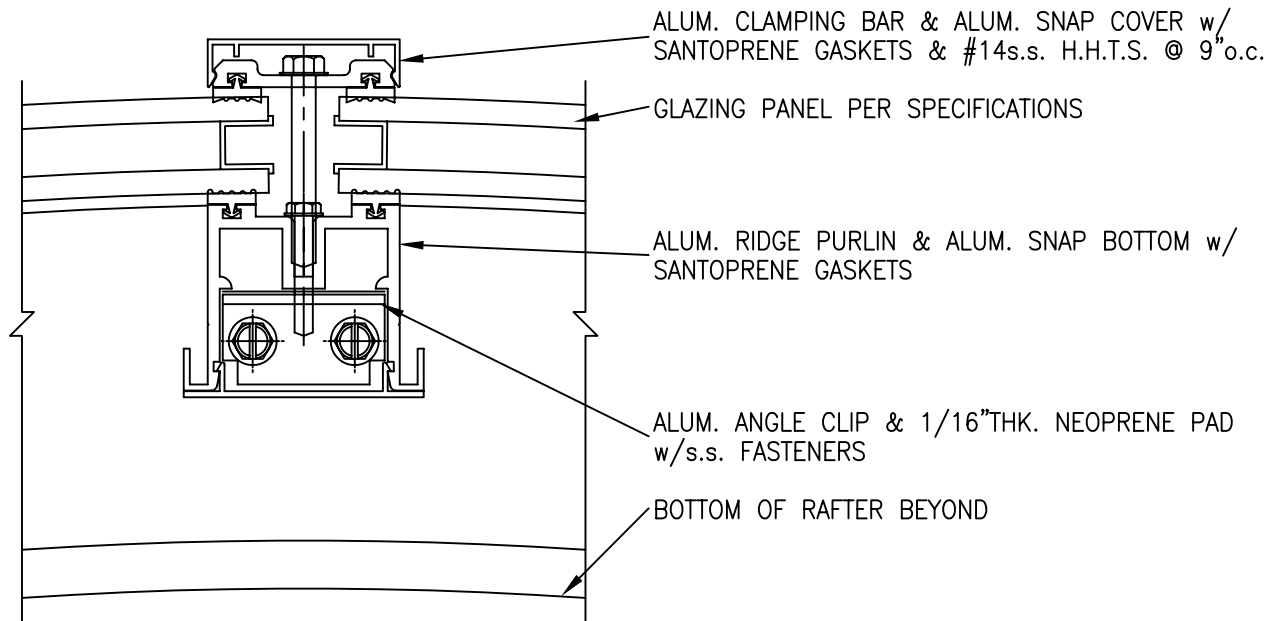
Detail No. 24

Barrel Vault Capped Purlin Detail (Field Assembled)



Detail No. 25

Barrel Vault Ridge Detail (Field Assembled)



Detail No. 27