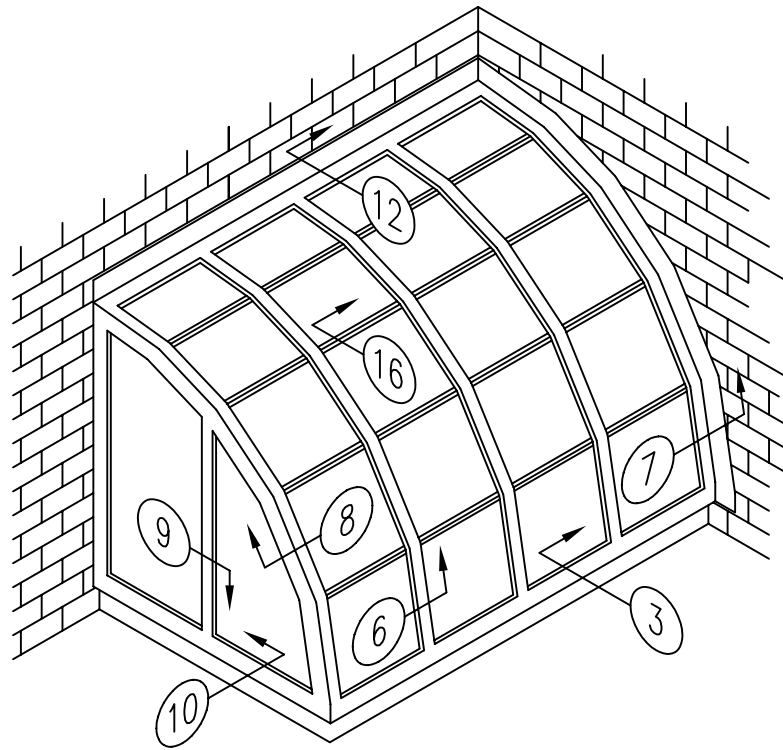
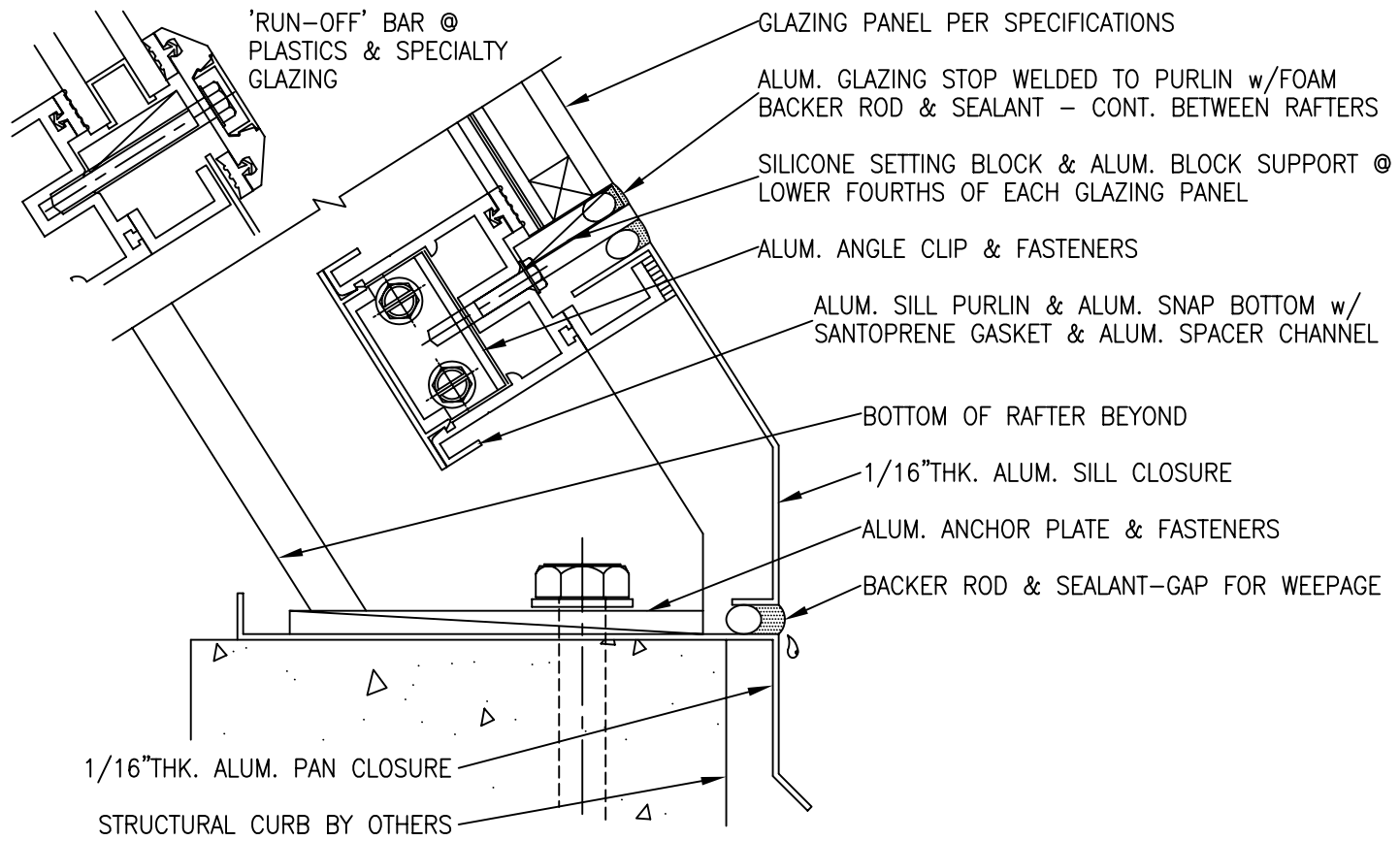


Segmented Barrel Vault

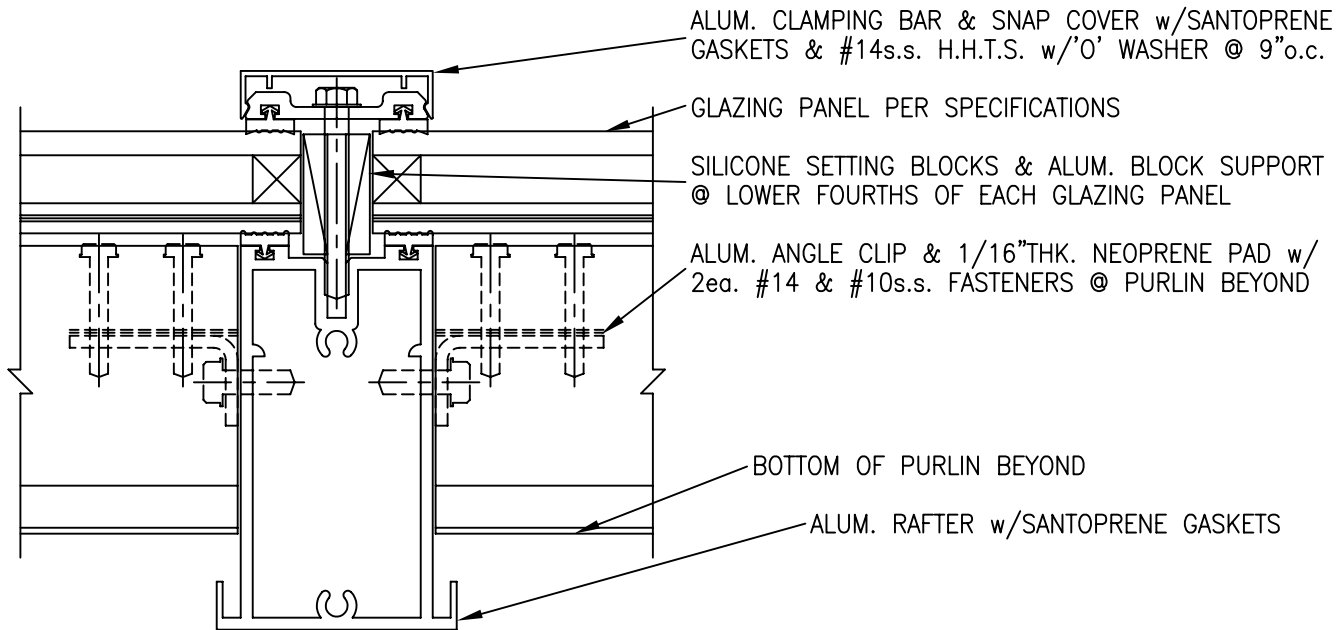


Sloped Curb / Sill Detail (Field Assembled)



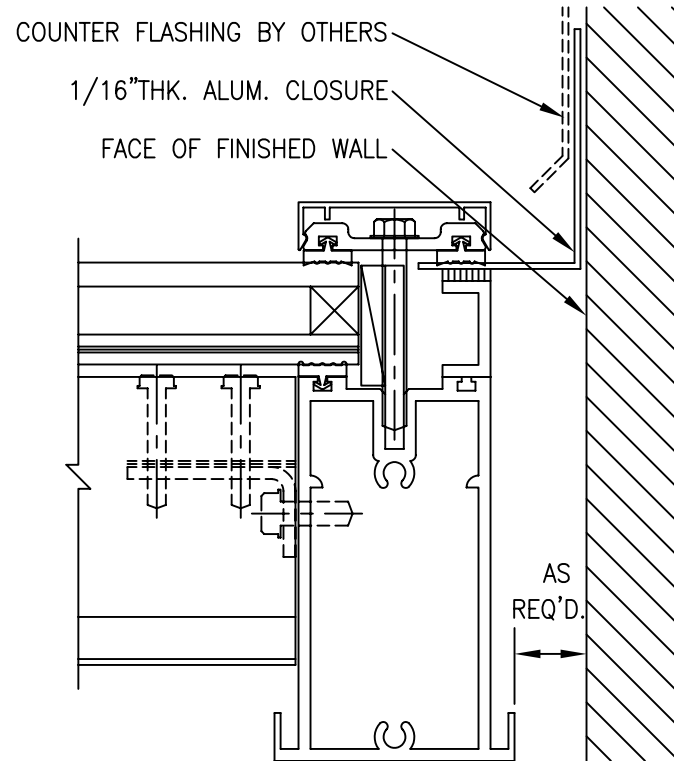
Detail No. 3

Rafter Detail



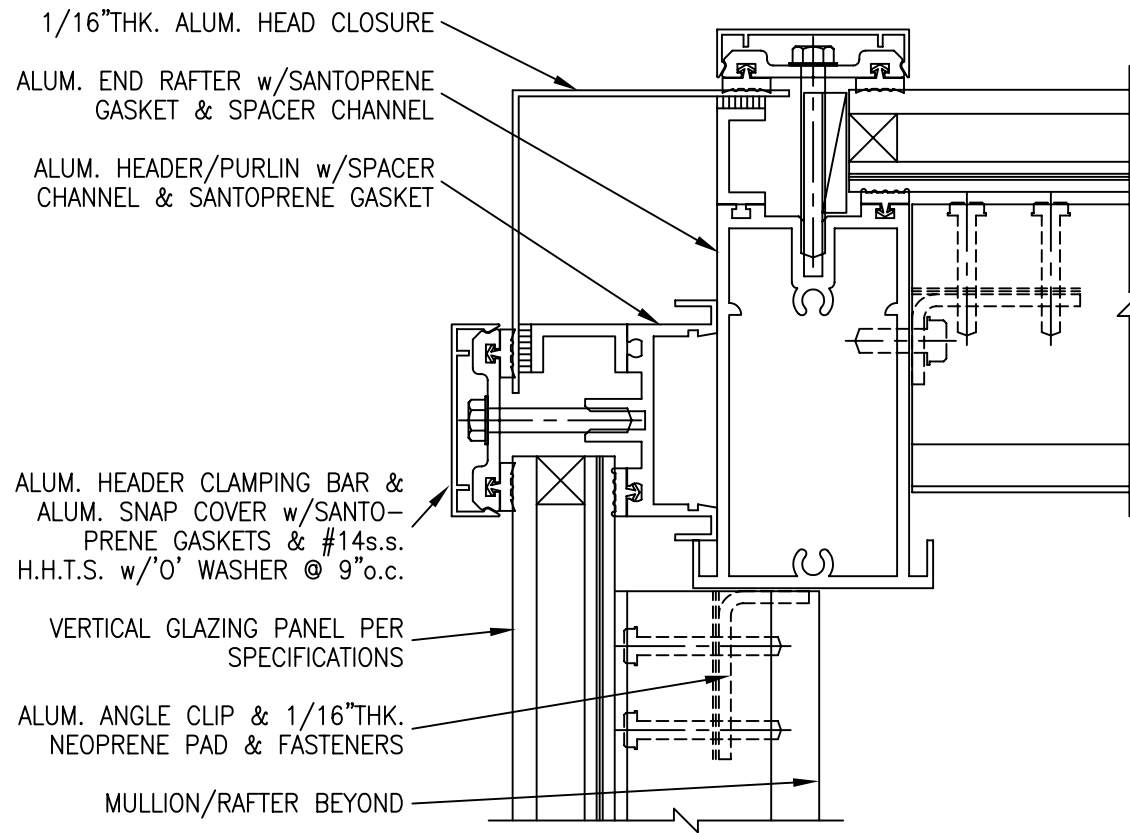
Detail No. 6

Rafter at Wall Detail



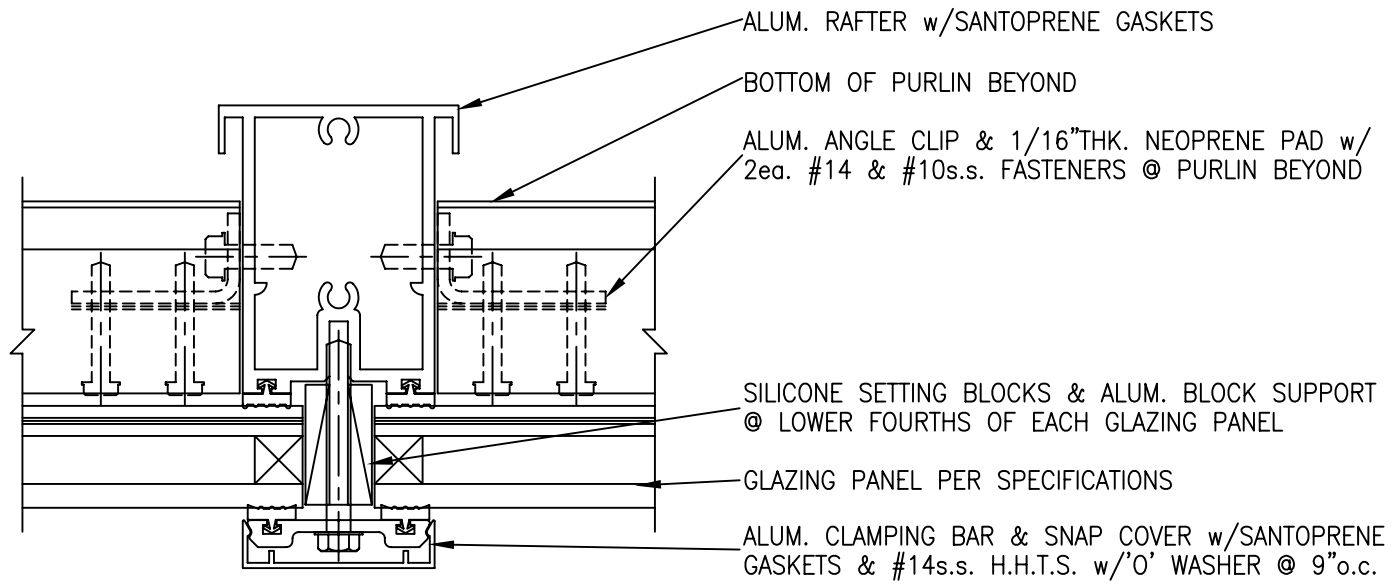
Detail No. 7

Rafter at Vertical Detail



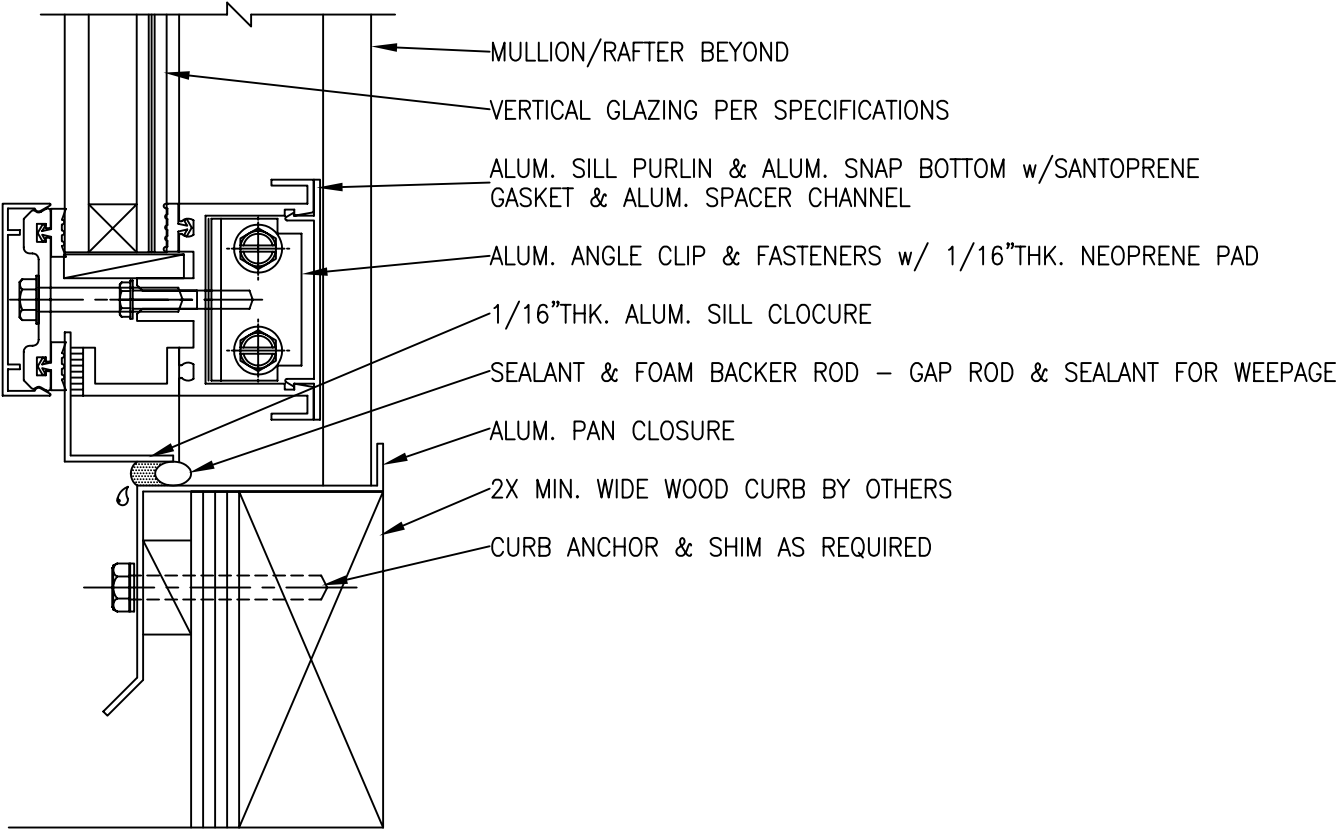
Detail No. 8

Mullion Detail



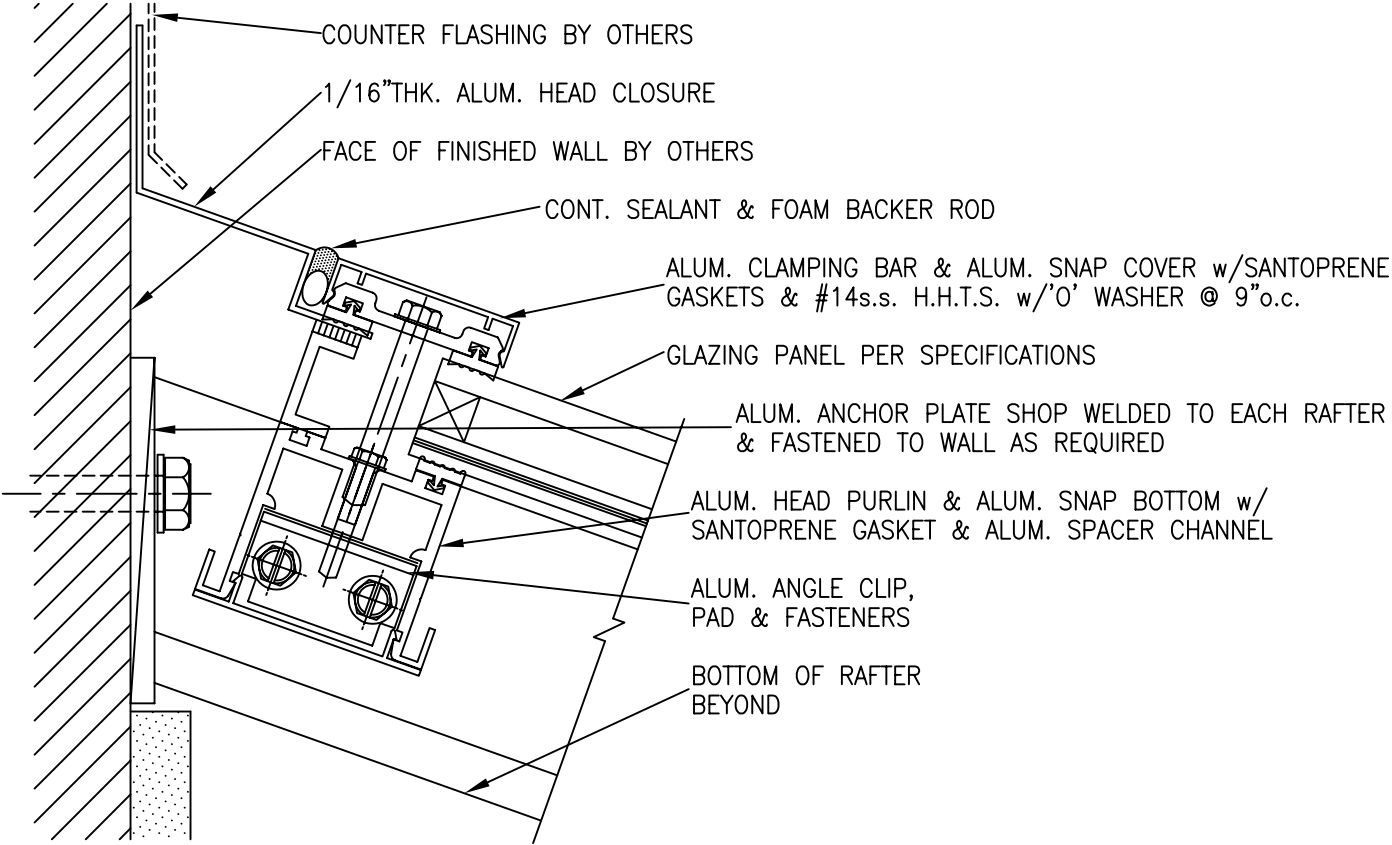
Detail No. 9

Sill at Vertical Detail



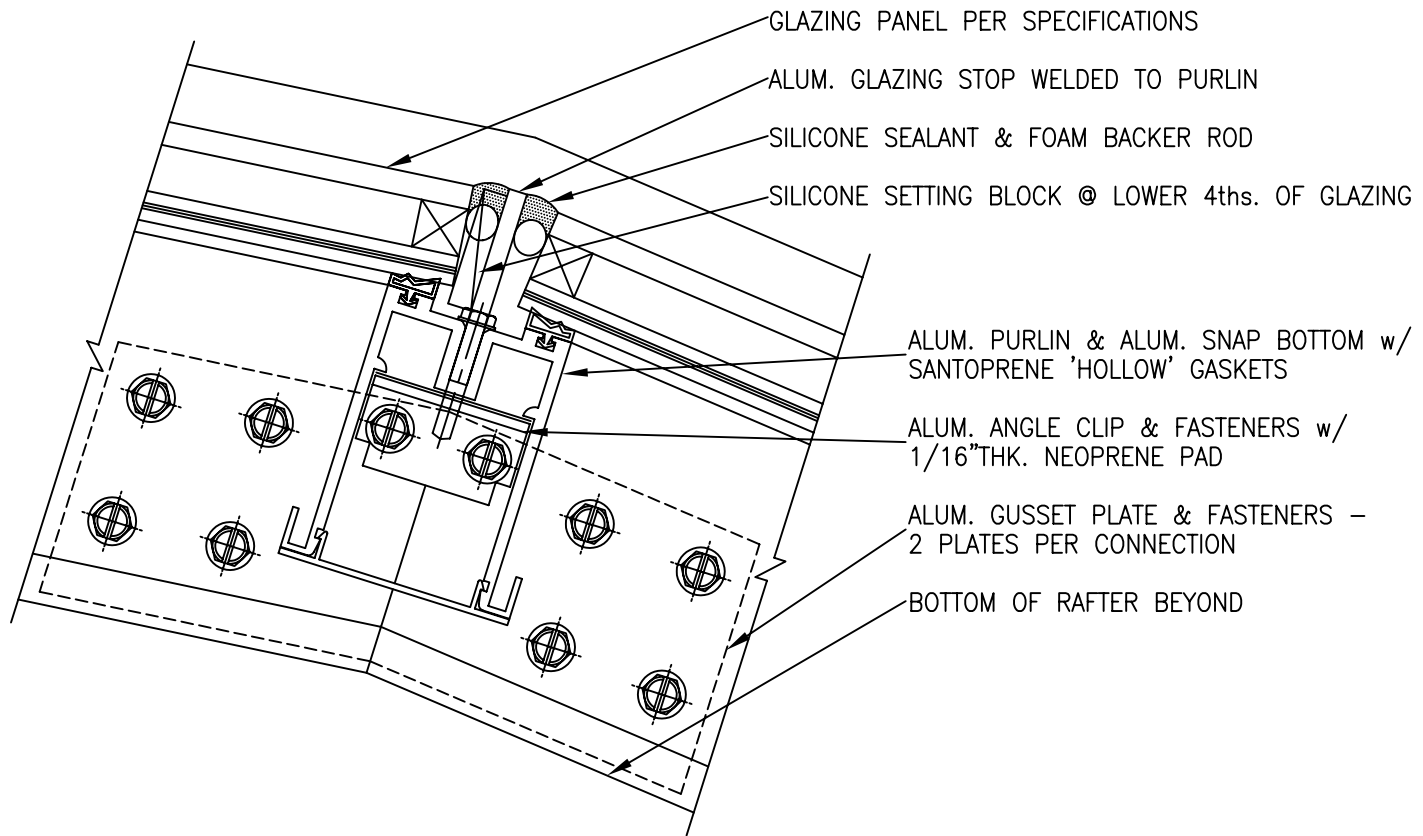
Detail No. 10

Purlin Head Detail



Detail No. 12

Purlin at Segmented Rafter Detail (Field Assembled)



Detail No. 16